



SCHMITZ

A SENSE OF CONFIDENCE



Your partner
for ward logistics



A Sense of Company	05
A Sense of Care	07
SCHMITZ – represented worldwide	08
varimed® Functional trolleys Our experts for everyday clinical practice.	10
varimed® ISO trolleys Our experts for ward logistics	54
Accessories for functional and ISO trolleys	74
varimed® The multifunctional rail system	102
Drawer dividers for functional trolleys	126
Modules for ISO trolleys	140
varimed® Functional and ISO trolleys / IT solutions	146
Technical data Drawer layouts, model and material descriptions	158
Colours Powder coated finishes, plastic materials	172
Contact	175



A Sense of Company

With more than 90 years of experience, SCHMITZ is one of the leading international manufacturers of medical products.

A family-owned business with a living tradition. Our typical employee has been with the company for some 18 years, proof of how strongly they identify with our values and philosophy.

In 2012, the company's management passed to Friedrich and Matthias Schmitz, the fourth generation of the family.

We are proud to be located in Germany and are deeply rooted in our home region. We develop and manufacture here.

90% of our suppliers are from Germany, of which 60% are from the local region.

Made in Germany



'The transition to the next generation is always something special.'



A Sense of Care

We understand the services which are our lifeblood, and aim to achieve maximum customer satisfaction. From consulting through planning to installation.

Cost-effectiveness through longevity is what you can expect from us.

With a well thought-out service concept and comprehensive support, SCHMITZ works alongside you as partner from start to finish.

Technical Customer Service

T +49 (0)2377 84 549

service@schmitz-medical.com




● Over 80 international trade partners

● Sales offices

SCHMITZ – represented worldwide







varimed® Functional trolleys **Our experts for everyday clinical practice.**

SCHMITZ's market-leading functional trolleys offer the perfect assistance for everyday clinical practice.

Hardwearing and flexible – varimed® functional trolleys are used in almost every German clinic.

As individual as your requirements

Our colour and configuration concept guarantees ideally matched design options.

Hygiene taken a step further

Removable panels and closed surfaces enable rapid, complete and simple cleaning – a cleaning standard redefined by SCHMITZ.

Optimal organisation

A customised range of options ensures systems perfectly tailored to your structures – we organise your workplace.

Perfect hygiene standard

Nearly complete elimination of germs thanks to antimicrobial coatings – no chance for multidrug-resistant pathogens.

High flexibility

100% unrestricted mobility is guaranteed – tailored to your daily workflows.



varimed® Functional trolleys

Best practice for all areas

Always on the right track with SCHMITZ functional trolleys: Fully equipped as dressing, treatment or emergency trolleys, anaesthesia, ward or ICU trolleys that can also be individually arranged and supplemented with diverse accessories. Many functional details and a high quality standard ensure optimum handling for every area.

Mobile and robust

- Use of high-grade materials.
- Convincing design concept.
- Closed double easy-roll castors with directional lock.

Comfort drawers

- Full pullout for an optimal view of, and access to, contents.
- Automatic pull-in function keeping the drawers closed during transportation.
- Airmatic shock absorber system for a quiet, soft and easy closing.

Optimal cleaning and hygiene

- Smooth closed surfaces.
- Hidden drawer slides.
- Removable drawer fronts.

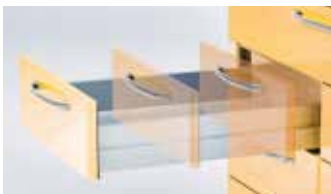
Antimicrobial coating in several shades of colour

for a continuous and long-lasting reduction of bacteria, mould and fungi colonisation.



Wall protecting wheels protect the trolleys, furniture and the walls from damage

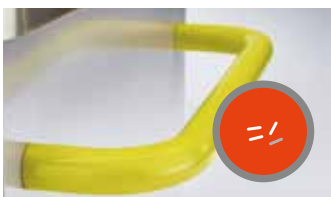
Closed double easy-roll ball-bearing castors, non-contact marking and abrasion-free quality



Hidden drawer slides with full pullout function for optimal hygiene

Drawers with automatic pull-in function and Airmatic shock absorber system

Easy to remove front makes cleaning simple



Ergonomic guiding bar in two models:

- Straight guiding (as illustrated in this picture)
- Curved mode

The guiding bar can be fitted to the right or left side or can be left off.



Surrounding silicone sealing profile, disinfectant-proof
(Opening angle of the doors max. 125°)



Side rails 202.3000.0 for easy attachment of accessories



SST 18/10 table top cover (202.0110.0 – 202.0130.0)

varimed® Functional trolleys

Best practice for all areas

Optical and functional adjustment possible thanks to different sizes.

- Various equipment options.
- Superior accessory design.
- Various colour combinations.

Design

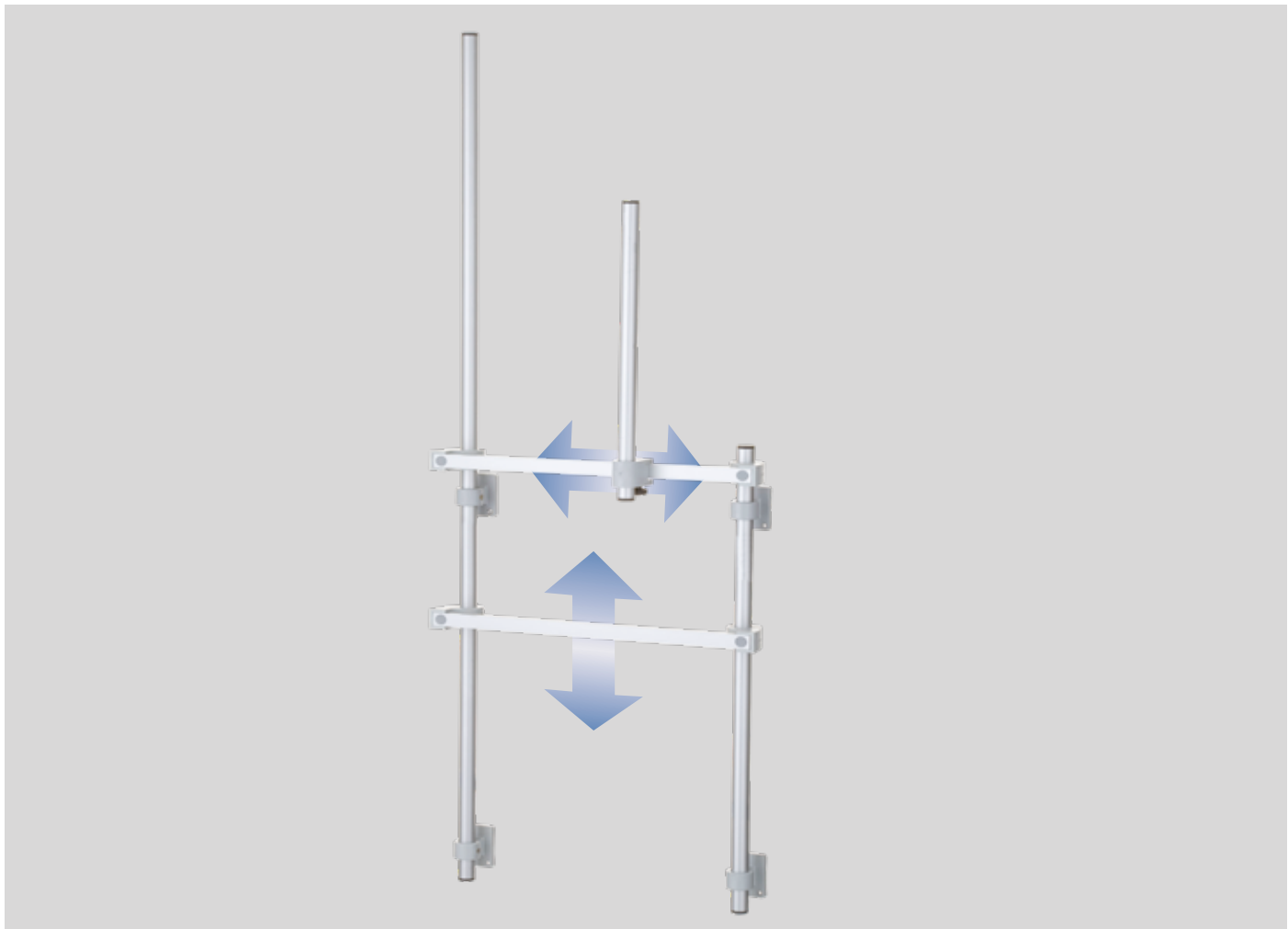
Successful combination of function, ergonomics and form.



varimed®**The rail system for accessories**

- Easy and fast attachment and interchange of accessories
- Suspending instead of screw-connection
- Side rails with a useful length of 460 mm –
Please observe space used by the accessory
- Functional trolleys can be equipped with
max. 3 rails on the left hand side and
max. 2 rails below the push handle

Accessories that can be fastened on the rails can be found on page 90 ff.



varimed®

The multifunctional rail system for accessories

Get inspired by the flexibility of this system and make the functional trolley serve as your optimal assistant.

A strong combination with decisive advantages:

- Simple and ergonomic attachment of accessories – vertically and horizontally adjustable.
- Saves time by optimizing and standardizing work sequences.
- Minimizes cross-contamination due to hygienic arrangement of dispensers.
- Safety due to firm and ergonomic fitting of the equipment needed at the right place.
- Use of standard accessory rails 25 × 10 mm.
- Subsequent fitting on existing trolleys.

This system and relative accessories can be found on page 102 ff.



varimed® Functional trolleys

Equipment examples

Anaesthesia trolley Model No. 260.0390.0

fully equipped as shown

- Cabinet body grey aluminium RAL 9007
- Cabinet fronts white aluminium RAL 9006
- Bar handles light saffron orange RAL 0608530
- Guiding bar light saffron orange RAL 0608530

ICU Trolley Model No. 260.0023.0

fully equipped as shown

- Cabinet body grey aluminium RAL 9007
- Cabinet fronts water lily white RAL 0758510
- Bar handles light saffron orange RAL 0608530

Ward trolley Model No. 260.3010.0

Accessory: table top with 3-sided guard rail SST 18/10, model no. 202.0320.0

- Cabinet body grey white RAL 9002
- Cabinet fronts tennis blue RAL 2307020
- Bar handles grey white RAL 9002
- Guiding bar grey white RAL 9002

Dressing and treatment trolley Model No. 260.0610.0

Accessory: Accessories set, model no. 202.9720.0

- Cabinet body grey white RAL 9002
- Cabinet fronts grey aluminium RAL 9007
- Bar handles matt chromium plated
- Guiding bar grey aluminium RAL 9007



260.3050.0



260.0420.0

varimed® Functional trolleys

Equipment examples

Ward trolley Model No. 260.3050.0

- Cabinet body white aluminium RAL 9006
- Cabinet fronts pure white RAL 9010
- Bar handles white aluminium RAL 9006
- Guiding bar pure white RAL 9010

Dressing trolley Model No. 260.0420.0 **fully equipped as shown**

- Cabinet body white aluminium RAL 9006
- Cabinet fronts signal yellow RAL 1003
- Bar handles white aluminium RAL 9006
- Guiding bar signal yellow RAL 1003



260.0630.0



260.0400.0

varimed® Functional trolleys

Equipment examples

Dressing and treatment trolley Model No. 260.0630.0

Accessories: Rack for mounting accessories, model no. 205.4000.0

Accessories set, model no. 205.4010.0

Rack for mounting accessories, model no. 205.4100.0




Bracket, model no. 205.1150.0

Syringe and cannula dispenser, model no. 202.1640.0

Rack for mounting accessories, model no. 205.4200.0





Accessories set, model no. 205.4210.0

Top w/3-sided guard rail 202.0020.0

-  Cabinet body grey white RAL 9002
-  Cabinet fronts white blue RAL 2408015
-  Bar handles sapphire blue RAL 5003

Emergency trolley Model No. 260.0400.0

Accessory: integrated holder for “Weinmann“
resuscitation unit “Life Base III“, model no. 202.6860.0

-  Cabinet body grey white RAL 9002
-  Cabinet fronts grey white RAL 9002
-  Bar handles vermilion RAL 2002
-  Guiding bar vermilion RAL 2002



260.0310.0



260.0110.0



260.0330.0



260.0370.0

varimed® Functional trolleys

Equipment examples

Dressing and treatment trolley Model No. 260.0310.0

Accessories: Table top with 3-sided guard rail, model no. 202.0020.0,
Pre-heating system, model no. 202.5260.1

- Cabinet body white aluminium RAL 9006
- Cabinet fronts light blue RAL 2606030
- Bar handles white aluminium RAL 9006
- Guiding bar light blue RAL 2606030

Dressing and treatment trolley Model No. 260.0110.0

Accessory: Table top with 3-sided guard rail, model no. 202.0010.0.

- Cabinet body white aluminium RAL 9006
- Cabinet fronts grey aluminium RAL 9007
- Bar handles white aluminium RAL 9006
- Guiding bar grey aluminium RAL 9007

Dressing and treatment trolley Model No. 260.0330.0

Accessories: Table top with 3-sided guard rail, model no. 202.0020.0,
table top cover, model no. 202.0120.0,
side rail, model no. 202.3000.0

- Cabinet body white aluminium RAL 9006
- Cabinet fronts signal yellow RAL 1003
- Bar handles white aluminium RAL 9006
- Guiding bar signal yellow RAL 1003

Dressing and treatment trolley Model No. 260.0370.0

Accessory: Table top with 3-sided guard rail, model no. 202.0020.0

- Cabinet body grey white RAL 9002
- Cabinet fronts filigree green RAL 1207020
- Bar handles grey white 9002
- Guiding bar filigree green RAL 1207020



260.1210.0



260.1030.0

varimed® Functional trolleys

Equipment examples

Dressing and treatment trolley Model No. 260.1210.0

- Cabinet body white aluminium RAL 9006
- Cabinet fronts lemon green RAL 1008060
- Bar handles filigree green RAL 1207020
- Guiding bar filigree green RAL 1207020

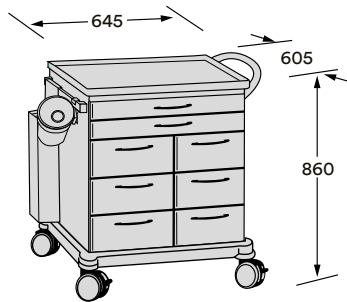
Dressing and treatment trolley Model No. 260.1030.0

Accessory: Table top with 3-sided guard rail, model no. 202.0030.0

- Cabinet body grey aluminium RAL 9007
- Cabinet fronts light saffron orange RAL 0608530
- Bar handles grey aluminium RAL 9007
- Guiding bar grey aluminium RAL 9007

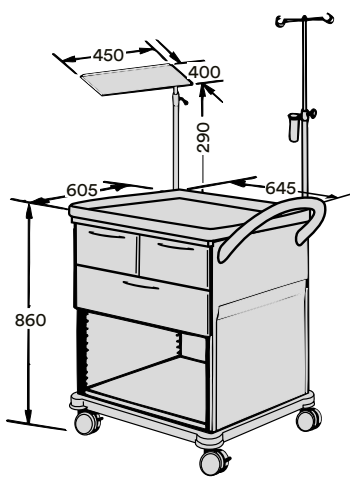
varimed®
Anaesthesia trolleys, emergency trolley
fully equipped

Model No. Description



260.0390.0 Anaesthesia trolley
 with 2 drawers type 6B and 6 drawers type 3D,
 incl. left side rail 202.3000.0, medical waste bin set with
 holder 205.1550.0 and container for catheters 200.1380.0.
 4 closed double castors Ø 125 mm, plastic, electro-
 conductive, ball bearing, consisting of 2 full lock-type
 castors and 1 with directional locking, silver grey frame
 cover with revolving bumpers, plastic top (silver grey)
 with profile edge, guiding bar.

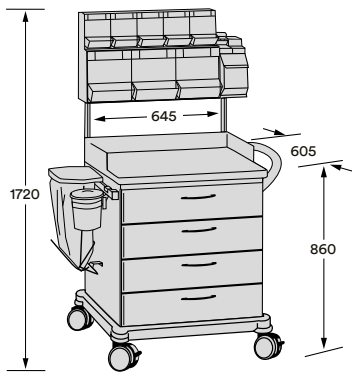
260.0350.0 Dressing and treatment trolley
 as Anaesthesia trolley 260.0390.0,
 but without the accessory package.



Model No.	Description
260.0400.0	Emergency trolley with 2 drawers type 3D and 1 drawer type 6D, below open compartment with bottom steel panel, bar handles vermilion RAL 2002, incl. right infusion rod 202.4700.0, with 4 hooks, height adjustable from 1,350 to 2,010 mm, left storage shelf 202.5110.0, swivel-type for defibrillator. 4 closed double castors Ø 125 mm, plastic, electro-conductive, ball bearing, consisting of 2 full lock-type castors and 1 with directional locking, silver grey frame cover with revolving bumpers, plastic top (silver grey) with profile edge, guiding bar.
260.0340.0	Dressing and treatment trolley as Emergency trolley 260.0400.0, but without the accessory package.
202.3000.0	Side rail
202.0011.0	Oxygen tank holder, for tanks up to 5 litres (202.3000.0 required)
202.5520.0	Lead sealing strips, 1 pair with 100 lead seals
202.5450.0	Lead seals 200 pieces, for lead sealing strips
202.5500.0	CPR board CE^{MD} incl. holder, fixed to the back of trolley
202.6860.0	Holder for storage of the "Weinmann" resuscitation unit, Life Base III on carrying platform. Fixation at the guiding bar side. Holders for different "Weinmann" systems upon request.
202.4381.0	as-medical* fourfold socket outlet, with potential equalisation bar

varimed®

Endo trolley, dressing and treatment trolleys fully equipped



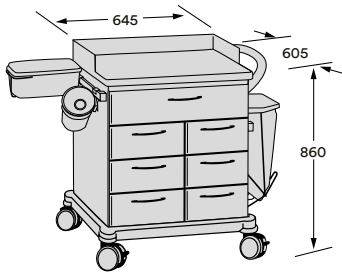
Model No. Description

260.0410.0 Treatment trolley

with 4 drawers type 6D, incl. syringe and cannula dispenser 202.1610.0, bracket 202.1860.1, left side rail 202.3000.0, medical waste bin set with holder 205.1550.0 and waste bag holder 202.3810.0. 4 closed double castors Ø 125 mm, plastic, electro-conductive, ball bearing, consisting of 2 full lock-type castors and 1 with directional locking, silver grey frame cover with revolving bumpers, plastic top (silver grey) with profile edge and 3-sided guard rail 202.0020.0, guiding bar.

260.0310.0 Dressing and treatment trolley

as Treatment trolley 260.0410.0, but without the accessory package.

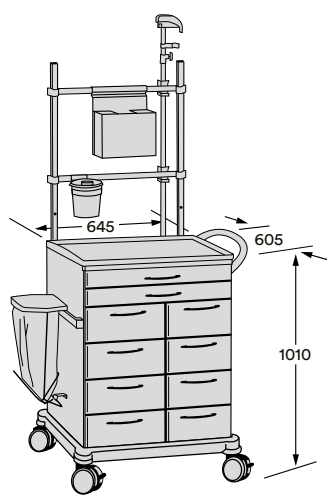


260.0420.0 Dressing trolley

with 1 drawer type 6D and 6 drawers type 3D, incl. left side rail 202.3000.0, medical waste bin set with holder 205.1550.0, holder 205.1350.0 and plastic tray with opening in lid 205.1460.0, right side rail 202.3000.0 and waste bag holder 202.3810.0. 4 closed double castors Ø 125 mm, plastic, electro-conductive, ball bearing, consisting of 2 full lock-type castors and 1 with directional locking, silver grey frame cover with revolving bumpers, plastic top (silver grey) with profile edge and 3-sided guard rail 202.0020.0, guiding bar.

260.0330.0 Dressing and treatment trolley

as Dressing trolley 260.0420.0, but without the accessory package.



Model No.	Description
-----------	-------------

260.0730.0	Endo trolley
-------------------	---------------------

	with 2 drawers type 6B and 8 drawers type 3D, incl. accessory rack 205.4100.0, accessory rail 205.0500.0, medical waste bin set with holder 205.1550.0, container for excision forceps 202.4450.0, endoscope holder 202.4510.0, left side rail 202.3000.0 and waste bag holder 202.3810.0.
--	--

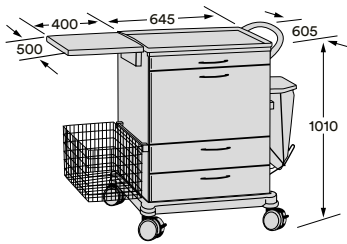
	4 closed double castors Ø 125 mm, plastic, electro-conductive, ball bearing, consisting of 2 full lock-type castors and 1 with directional locking, silver grey frame cover with revolving bumpers, plastic top (silver grey) with profile edge, guiding bar.
--	---

260.0630.0	Dressing and treatment trolley
-------------------	---------------------------------------

	as Endo trolley 260.0730.0, but without the accessory package.
--	--

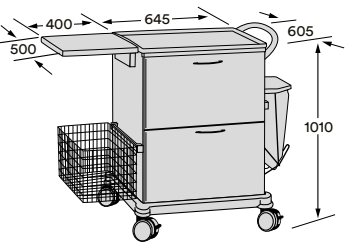
varimed® Ward trolleys, fully equipped

Model No. Description



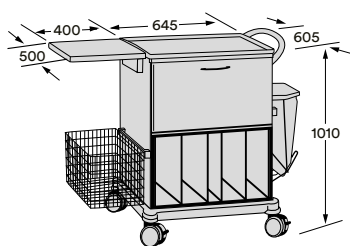
260.3010.0 Ward trolley
with 1 drawer type 6B,
1 file drawer for all common suspended file types
(safe working load 13 kg) and 2 drawers type 6 D,
incl. on the left 1 side rail 202.3000.0, storage shelf
202.0044.0, basket 202.5800.0 on the right side rail
202.3000.0 and waste bag 202.3810.0.
4 closed double castors Ø 125 mm, plastic, electro-
conductive, ball bearing, consisting of 2 full lock-type
castors and 1 with directional locking, silver grey frame
cover with revolving bumpers, plastic top (silver grey)
with profile edge, guiding bar.

260.3011.0 Dressing and treatment trolley
as Ward trolley 260.3010.0,
but without the accessory package.



260.3020.0 Ward trolley
with 2 file drawers for all common suspended file types
(safe working load 13 kg per drawer), incl. on the left
1 side rail 202.3000.0, storage shelf 202.0044.0,
basket 202.5800.0, on the right side rail 202.3000.0
and waste bag 202.3810.0.
4 closed double castors Ø 125 mm, plastic, electro-
conductive, ball bearing, consisting of 2 full lock-type
castors and 1 with directional locking, silver grey frame
cover with revolving bumpers, plastic top (silver grey)
with profile edge, guiding bar.

260.3021.0 Ward trolley
as Ward trolley 260.3020.0,
but without the accessory package.



Model No. Description

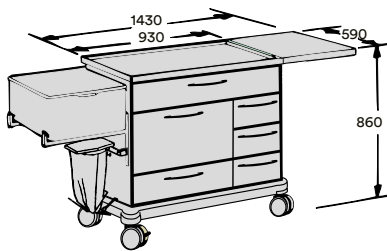
260.3030.0 Ward trolley
 with 1 file drawer for all common suspended file types (safe working load 13 kg), bottom compartment for storing X-ray films, max. 350 × 520 mm H x D, incl. on the left, 1 side rail 202.3000.0, storage shelf 202.0044.0, basket 202.5800.0, on the right side rail 202.3000.0 and waste bag 202.3810.0.
 4 closed double castors Ø 125 mm, plastic, electro-conductive, ball bearing, consisting of 2 full lock-type castors and 1 with directional locking, silver grey frame cover with revolving bumpers, plastic top (silver grey) with profile edge, guiding bar.

260.3031.0 Dressing and treatment trolley
 as Ward trolley 260.3030.0,
 but without the accessory package.

200.6030.0 Powder coated cabinet body acc. to colour chart

Surcharge

varimed®
Plaster dressing trolley, ICU trolley
fully equipped



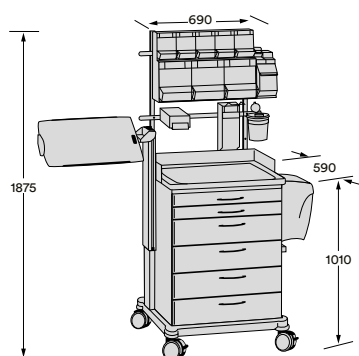
Model No. Description

260.1050.0 Plaster dressing trolley
 with 1 drawer type 9D with subdividers for plaster dressing, left 1 drawer type 6G and 1 drawer type 6D, on the right, 3 drawers type 3D, incl. on the left plastic basin with holder, 525 × 455 × 220 mm (W x D x H) 202.0007.0, swivel-type waste bag holder 202.0008.0 with 1 roll of waste bags (48 pcs), on the right storage shelf 202.0056.0, SST 18/10.
 4 closed double castors Ø 125 mm, plastic, electro-conductive, ball bearing, consisting of 2 full lock-type castors and 1 with directional locking, silver grey frame cover with revolving bumpers, table top made of SST 18/10 with all around profile edge, 202.0230.0.

260.1030.0 Dressing and treatment trolley
 as Plaster dressing trolley 260.1050.0, but without the accessory package.

202.0007.0 Plastic basin
 525 × 455 × 220 mm (W x D x H) with holder.

202.0008.0 Waste bag holder
 swivel-type, with 1 roll of waste bags (48 pcs).



Model No.	Description
-----------	-------------

260.0023.0	ICU trolley
-------------------	--------------------

	<p>with 2 drawers type 6 B and 4 drawers type 6 D, incl. accessory rack 205.4100.0, fixing bracket 205.1150.0, syringe and cannula dispenser 202.1610.0, holder for disposable gloves dispenser 202.5210.0, medical waste bin set with holder 205.1550.0, disinfectant dispenser 205.0920.0, left side adjustable tray table 202.6660.0, right side rail 202.3000.0 and waste bag holder 202.3710.0.</p> <p>4 closed double castors Ø 125 mm, plastic, electro-conductive, ball bearing, consisting of 2 full lock-type castors and 1 with directional locking, silver grey frame cover with revolving bumpers, SST 18/10 top with profile edge and 3-sided guard rail 202.0320.0.</p>
--	--

260.0016.0	Dressing and treatment trolley
-------------------	---------------------------------------

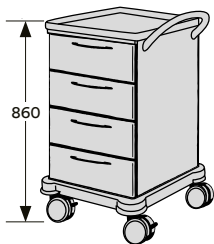
	<p>as ICU trolley 260.0023.0, but without the accessory package.</p>
--	--

varimed®

Dressing and treatment trolleys

Width 450 mm, height 860 mm and 1010 mm

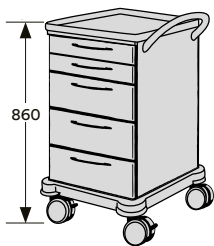
Model No.	Description
-----------	-------------



260.0010.0 Dressing and treatment trolley

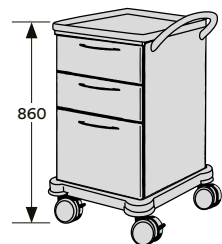
with 4 drawers type 4D.

4 closed double castors Ø 125 mm, plastic, electro-conductive, ball bearing, consisting of 2 full lock-type castors and 1 with directional locking, silver grey frame cover with revolving bumpers, plastic top (silver grey) with profile edge, guiding bar.



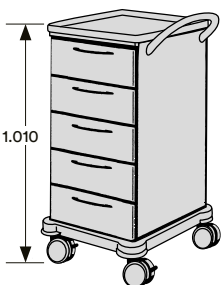
260.0011.0 Dressing and treatment trolley

as 260.0010.0, however with 2 drawers type 4B and 3 drawers type 4D.



260.0020.0 Dressing and treatment trolley

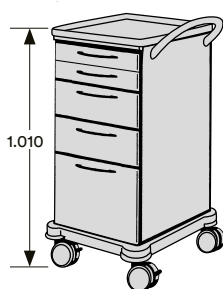
as 260.0010.0, however with 2 drawers type 4D and 1 drawer type 4G.



260.0110.0 Dressing and treatment trolley

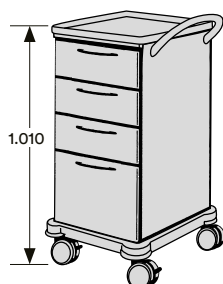
with 5 drawers type 4D.

4 closed double castors Ø 125 mm, plastic, electro-conductive, ball bearing, consisting of 2 full lock-type castors and 1 with directional locking, silver grey frame cover with revolving bumpers, plastic top (silver grey) with profile edge, guiding bar.



Model No. Description

260.0012.0 Dressing and treatment trolley
as 260.0110.0, however with 2 drawers type 4B,
2 drawers type 4D and 1 drawer type 4G.



260.0120.0 Dressing and treatment trolley
as 260.0110.0, however with 3 drawers type 4D and
1 drawer type 4G.

202.0010.0	Table top with 3-sided guard rail, made of plastic	Surcharge
202.0110.0	Table top cover, SST 18/10	
202.0210.0	Table top made completely of SST 18/10	Surcharge
202.0310.0	Table top with 3-sided guard rail made completely of SST 18/10	Surcharge
200.6030.0	Powder coated cabinet body acc. to colour chart	Surcharge



varimed®
Dressing and treatment trolleys
Width 600 mm, height 860 mm

Model No. Description



260.0310.0 Dressing and treatment trolley
 with 4 drawers type 6D.
 4 closed double castors Ø 125 mm, plastic, electro-
 conductive, ball bearing, consisting of 2 full lock-type
 castors and 1 with directional locking, silver grey frame
 cover with revolving bumpers, plastic top (silver grey)
 with profile edge, guiding bar.



260.0013.0 Dressing and treatment trolley
 as 260.0310.0, however with 2 drawers type 6B and
 3 drawers type 6D.



260.0320.0 Dressing and treatment trolley
 as 260.0310.0, however with 2 drawers type 6D and
 1 drawer type 6G.



260.0330.0 Dressing and treatment trolley
 as 260.0310.0, however with 1 drawer type 6D and
 6 drawers type 3D.



260.0340.0 Dressing and treatment trolley
 as 260.0310.0, however with 2 drawers type 3D and
 1 drawer type 6D, below open compartment with
 bottom steel panel.

varimed®
Dressing and treatment trolleys
Width 600 mm, height 860 mm

Model No. Description



260.0350.0 Dressing and treatment trolley
 as 260.0310.0, however with 2 drawers type 6B and
 6 drawers type 3D.



260.0360.0 Dressing and treatment trolley
 as 260.0310.0, however with 1 drawer type 6D,
 1 hinged door, LH hinges, 1 adjustable plastic-laminated
 shelf and 3 drawers type 3D.



260.0370.0 Dressing and treatment trolley
 as 260.0310.0, however with 2 drawers type 3D,
 2 hinged doors and 1 adjustable plastic-laminated shelf.



260.0380.0 Dressing and treatment trolley
 as 260.0310.0, however with 2 hinged doors,
 2 adjustable plastic-laminated shelves.



260.0040.0 Dressing and treatment trolley
 as 260.0310.0, however with 2 drawers type 6B,
 1 drawer type 6D and 1 drawer type 6G.

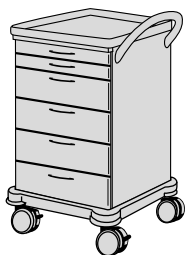
Model No.	Description	
202.0020.0	Table top with 3-sided guard rail, made of plastic	Surcharge
202.0120.0	Table top cover, SST 18/10	
202.0220.0	Table top made completely of SST 18/10	Surcharge
202.0320.0	Table top with 3-sided guard rail made completely of SST 18/10	Surcharge
200.6030.0	Powder coated cabinet body acc. to colour chart	Surcharge

varimed®
Dressing and treatment trolleys
Width 600 mm, height 1010 mm

Model No. Description



260.0610.0 Dressing and treatment trolley
 with 2 drawers type 6B, 2 drawers type 6D and
 1 drawer type 6G.
 4 closed double castors Ø 125 mm, plastic, electro-
 conductive, ball bearing, consisting of 2 full lock-type
 castors and 1 with directional locking, silver grey frame
 cover with revolving bumpers, plastic top (silver grey)
 with profile edge, guiding bar.



260.0016.0 Dressing and treatment trolley
 as 260.0610.0, however with 2 drawers type 6B and
 4 drawers type 6D.



260.0017.0 Dressing and treatment trolley
 as 260.0610.0, however with 3 drawers type 6D and
 1 drawer type 6G.



260.0620.0 Dressing and treatment trolley
 as 260.0610.0, however with 1 drawer type 6D and
 8 drawers type 3D.



260.0630.0 Dressing and treatment trolley
 as 260.0610.0, however with 2 drawers type 6B and
 8 drawers type 3D.

Model No. Description



260.0640.0 Dressing and treatment trolley
as 260.0610.0, however with 2 drawers type 6B,
1 drawer type 6D and 6 drawers type 3D.



260.0650.0 Dressing and treatment trolley
as 260.0610.0, however with 2 drawers type 6B,
4 drawers type 3D and 1 drawer type 6G.



260.0015.0 Dressing and treatment trolley
as 260.0610.0, however with 1 drawers type 6D,
4 drawers type 3D and 1 drawer type 6G.

varimed®
Dressing and treatment trolleys
Width 600 mm, height 1010 mm

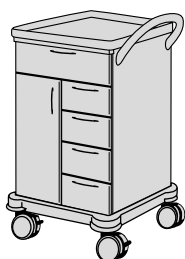
Model No. Description



260.0660.0 Dressing and treatment trolley
 as 260.0610.0, however with
 5 drawers type 6D.



260.0670.0 Dressing and treatment trolley
 as 260.0610.0, however with
 5 drawers type 3D on the left,
 3 drawers type 3D and 1 drawer type 3G on the right.



260.0680.0 Dressing and treatment trolley
 as 260.0610.0, however with
 1 drawer type 6D, 1 hinged door, LH hinges,
 1 adjustable plastic-laminated shelf and
 4 drawers type 3D.



260.0690.0 Dressing and treatment trolley
 as 260.0610.0, however with
 2 drawers type 6D, on the left: 1 hinged door,
 LH hinges, 1 adjustable plastic-laminated shelf and
 on the right: 3 drawers type 3D



260.0700.0 Dressing and treatment trolley
 as 260.0610.0, however with
 2 drawers type 6B, 1 drawer type 6D,
 2 hinged doors and 1 adjustable plastic-laminated shelf.



Model No.	Description	
260.0710.0	Dressing and treatment trolley as 260.0610.0, however with 1 drawer type 6D, 2 hinged doors and 1 adjustable plastic-laminated shelf.	
202.0020.0	Table top with 3-sided guard rail, made of plastic	Surcharge
202.0120.0	Table top cover, SST 18/10	
202.0220.0	Table top made completely of SST 18/10	Surcharge
202.0320.0	Table top with 3-sided guard rail made completely of SST 18/10	Surcharge
200.6030.0	Powder coated cabinet body acc. to colour chart	Surcharge

varimed®
Dressing and treatment trolleys
Width 900 mm, height 860 mm

Model No. Description



260.1010.0 Dressing and treatment trolley
 with 2 drawers type 4D, 2 hinged doors and
 1 adjustable plastic-laminated shelf.
 4 closed double castors Ø 125 mm, plastic, electro-
 conductive, ball bearing, consisting of 2 full lock-type
 castors and 1 with directional locking, silver grey frame
 cover with revolving bumpers, plastic top (silver grey)
 with profile edge, guiding bar.



260.1020.0 Dressing and treatment trolley
 as 260.1010.0, however with 2 drawers type 4B on the
 left, 1 of which has a pull-out shelf, 1 hinged door,
 LH hinges, 1 adjustable plastic-laminated shelf,
 and on the right, 4 drawers type 4D.



260.1030.0 Dressing and treatment trolley
 as 260.1010.0, however with
 1 drawer type 9D, 1 drawer type 6G and
 1 drawer type 6D on the left and
 3 drawers Type 3D on the right.



260.1040.0 Dressing and treatment trolley
 as 260.1010.0, however with
 4 drawers type 9D.

varimed®
Dressing and treatment trolleys
Width 900 mm, height 1010 mm

Model No. Description



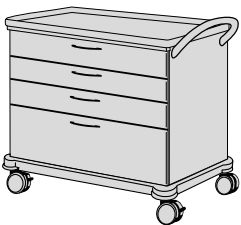
260.1210.0 Dressing and treatment trolley
 with 2 drawers type 9D, 3 drawers type 4D on the left, 1 drawer type 4D and 1 drawer Type 4G on the right. 4 closed double castors Ø 125 mm, plastic, electro-conductive, ball bearing, consisting of 2 full lock-type castors and 1 with directional locking, silver grey frame cover with revolving bumpers, plastic top (silver grey) with profile edge, guiding bar.



260.1220.0 Dressing and treatment trolley
 as 260.1210.0, however with 2 drawers type 4B on the left, 1 drawer type 4D, 1 hinged door, LH hinges, 1 adjustable plastic-laminated shelf and 5 drawers type 4D on the right.



260.0018.0 Dressing and treatment trolley
 as 260.1210.0, however with 2 drawers type 9D, 1 drawer type 4D and 1 drawer type 4 G on the left and 1 drawer type 4D and 1 drawer type 4 G on the right.



260.0019.0 Dressing and treatment trolley
 as 260.1210.0, however with 3 drawers type 9D and 1 drawer type 9G.

varimed®

Dressing and treatment trolleys
Width 900 mm, height 1010 mm

Model No. Description



260.0021.0 Dressing and treatment trolley
as 260.1210.0, however with
2 drawers type 9D and 6 drawers type 4D.

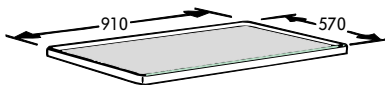
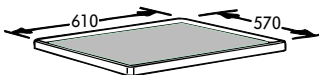
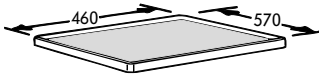
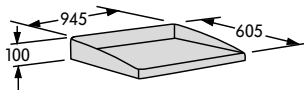
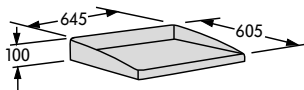
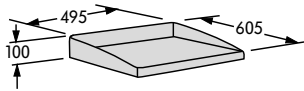


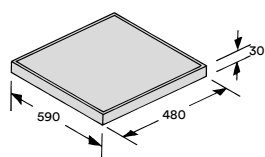
260.0022.0 Dressing and treatment trolley
as 260.1210.0, however with
2 drawers type 9D, 3 drawers type 6D on the left and
3 drawers type 3D on the right.

Model No.	Description	
202.0030.0	Table top with 3-sided guard rail, made of plastic	Surcharge
202.0130.0	Table top cover, SST 18/10	
202.0230.0	Table top made completely of SST 18/10	Surcharge
202.0330.0	Table top with 3-sided guard rail made completely of SST 18/10	Surcharge
200.6030.0	Powder coated cabinet body acc. to colour chart	Surcharge

varimed® Table top variants

Model No.	Description	
202.0010.0	Table top made of plastic, silver grey, with 3-sided guard rail, for functional trolley 450 mm in width.	Surcharge
202.0020.0	Table top plastic, silver grey, with 3-sided guard rail, for functional trolley 600 mm in width.	Surcharge
202.0030.0	Table top made of plastic, silver grey, with 3-sided guard rail, for functional trolley 900 mm in width.	Surcharge
202.0110.0	Table top cover made of SST 18/10, for functional trolley 450 mm in width.	
202.0120.0	Table top cover made of SST 18/10, for functional trolley 600 mm in width.	
202.0130.0	Table top cover made of SST 18/10, for functional trolley 900 mm in width.	

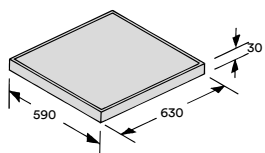




Model No. Description

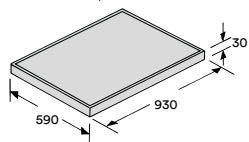
202.0210.0 Table top made of SST 18/10
with all around profile edge,
for functional trolley 450 mm in width.

Surcharge



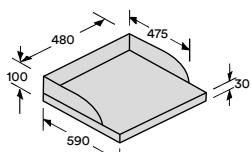
202.0220.0 Table top made of SST 18/10
with all around profile edge,
for functional trolley 600 mm in width.

Surcharge



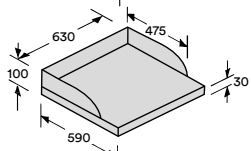
202.0230.0 Table top made of SST 18/10
with all around profile edge,
for functional trolley 900 mm in width.

Surcharge



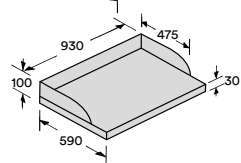
202.0310.0 Table top made of SST 18/10
with all around profile edge and 3-sided guard rail,
for functional trolley 450 mm in width.

Surcharge



202.0320.0 Table top made of SST 18/10
with all around profile edge and 3-sided guard rail,
for functional trolley 600 mm in width.

Surcharge



202.0330.0 Table top made of SST 18/10
with all around profile edge and 3-sided guard rail,
for functional trolley 900 mm in width.

Surcharge



SCHMITZ



varimed® ISO trolleys

Our experts for ward logistics.

SCHMITZ's market-leading ISO trolleys offer the perfect assistance for everyday clinical practice. Hardwearing and flexible – varimed® ISO trolleys are used in almost every German clinic.

Optimal organisation

A customised range of options ensures systems perfectly tailored to your structures – we organise your workplace.

High flexibility

Different heights, different drawer configurations, full-size or half-size ISO modules – the SCHMITZ ISO trolley adapts to your daily work processes.

Hygiene taken a step further

Removable drawer panels and closed surfaces enable rapid, complete and simple cleaning – a cleaning standard redefined by SCHMITZ.

Perfect hygiene standard

Nearly complete elimination of germs thanks to antimicrobial coatings – no chance for multidrug-resistant pathogens.

As individual as your requirements

Our colour and configuration concept guarantees ideally matched design options.







varimed® ISO trolleys

Wall protecting wheels protect the trolleys, furniture and the walls from damage

Closed double easy-roll ball-bearing castors, non-contact marking and abrasion-free quality. Easy-to-manoeuvre, silent ISO trolleys.

Side rails (202.0016.0)

for easy attachment of accessories.

Hidden drawer slides and full pullout function for optimal hygiene

Drawers with automatic pull-in function and Airmatic shock absorber system.

Easy to remove front makes cleaning simple

Ergonomic guiding bar in two models:

- Straight guiding bar (as shown on the left)
- Curved model

The guiding bar can be fitted to the right or left side or can be left off.

Germs stand no chance

Our special antimicrobial coating fights any local germs effectively, leaving them no place to spread.

For more information on antimicrobial coating, see pages 168 and 169.

Surrounding silicone sealing profile, disinfectant-proof

Opening angle of the doors max. 125°.

ISO rail walls

allow for flexible placement of SCHMITZ ISO modules.



varimed® ISO trolleys

Practical design

The drawers can be fitted with one full-size ISO module or two half-size ISO modules.

ISO trolley models with a height of 850 mm or 1,070 mm, tailored to your processes

For unequalled flexibility: ISO trolleys 850 mm high can be fitted with up to 8 full-size or 16 half-size ISO modules; ISO trolleys 1,070 mm high can be fitted with up to 11 full-size or 22 half-size ISO modules.

An overview of the drawer layout options for full-size and half-size ISO modules can be found on page 167.

Easy exchange of modules

for fast replenishment of ISO trolleys.

The modules can be removed without tilting or tipping.

All ISO module drawers have recessed grips,
making it much easier to remove the modules.

Take safety and security even further!

Innovative lock designs with state-of-the-art technology.



varimed®
ISO trolleys
Width 720 mm, height 850 mm

Model No. Description



260.0025.0 ISO Trolley
 with 4 x drawers for modules of max. 100 mm height.
 4 closed double castors Ø 125 mm, plastic,
 ball bearing, 2 of which electroconductive,
 2 full lock-type castors, and 1 with directional locking,
 silver grey frame cover with revolving bumpers,
 plastic top (silver grey) with profile edge, guiding bar.
Modules not included.



260.0026.0 ISO Trolley
 as ISO trolley 260.0025.0, however with 2 x drawers
 for modules of max. 100 mm height and 1 x drawer
 for modules of max. 200 mm height.
Modules not included.



260.0027.0 ISO Trolley
 as ISO trolley 260.0025.0, however with 2 x drawers
 for modules of max. 50 mm height and 3 x drawers
 for modules of max. 100 mm height.
Modules not included.



varimed®
ISO trolleys
Width 720 mm, height 850 mm

Model No. Description



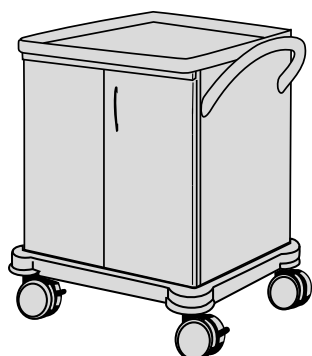
260.0028.0 ISO Trolley
 as ISO trolley 260.0025.0, however with 2 x drawers for modules of max. 50 mm height, 1 x drawer for modules of max. 100 mm height and 1 x drawer for modules of max. 200 mm height.
Modules not included.



260.0029.0 ISO Trolley
 as ISO trolley 260.0025.0, however with 2 x drawers for modules of max. 100 mm height and 4 x drawers for half modules of max. 100 mm height.
Modules not included.



260.0030.0 ISO Trolley
 as ISO trolley 260.0025.0, however with 2 x drawers for modules of max. 100 mm height and 2 x drawers for half modules of max. 200 mm height.
Modules not included.



260.0038.0 ISO Trolley
 as ISO trolley 260.0025.0, however with 2 hinged doors. Prepared for installation of ABS rail walls for full-size ISO modules (e.g. model no. 202.0082.0 from SCHMITZ or those of another manufacturer). We recommend the use of stops 202.0072.0 (pair) for full-size ISO modules as accessory.
Modules not included.



ISO trolley 260.0036.0 with accessories
202.0036.0 and 200.6030.0



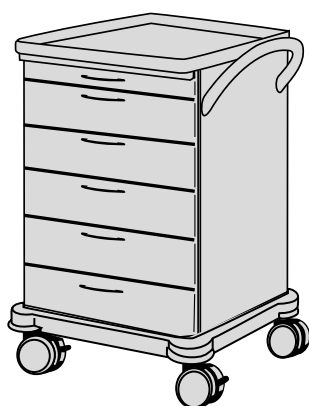
ISO trolley 260.0037.0



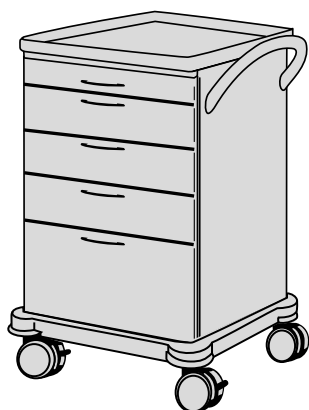
ISO trolley 260.0039.0
with accessories 202.7561.0 and 200.6030.0

varimed®
ISO trolleys
Width 720 mm, height 1,070 mm

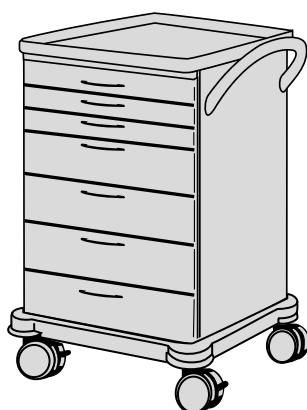
Model No. Description



260.0031.0 ISO Trolley
 with 1 x drawer for modules of max. 50 mm height and 5 x drawers for modules of max. 100 mm height. 4 closed double castors Ø 125 mm, plastic, ball bearing, 2 of which electroconductive, 2 full lock-type castors, and 1 with directional locking, silver grey frame cover with revolving bumpers, plastic top (silver grey) with profile edge, guiding bar.
Modules not included.



260.0032.0 ISO Trolley
 as ISO trolley 260.0031.0, however with 1 x drawer for modules of max. 50 mm height, 3 x drawers for modules of max. 100 mm height and 1 x drawer for modules of max. 200 mm height.
Modules not included.



260.0033.0 ISO Trolley
 as ISO trolley 260.0031.0, however with 3 x drawers for modules of max. 50 mm height and 4 x drawers for modules of max. 100 mm height.
Modules not included.

varimed®

ISO trolleys

Width 720 mm, height 1,070 mm

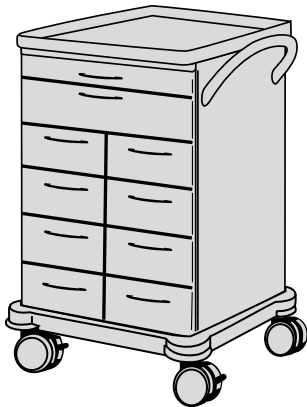
Model No.	Description
-----------	-------------



260.0034.0	ISO Trolley
-------------------	--------------------

	as ISO trolley 260.0031.0, however with 3 x drawers for modules of max. 50 mm height, 2 x drawers for modules of max. 100 mm height and 1 x drawer for modules of max. 200 mm height.
--	---

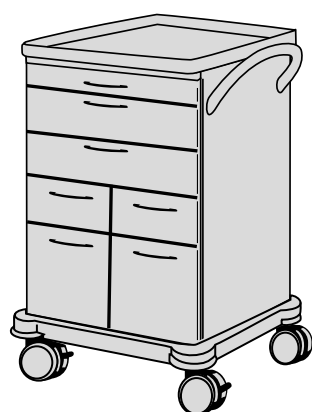
	Modules not included.
--	------------------------------



260.0035.0	ISO Trolley
-------------------	--------------------

	as ISO trolley 260.0031.0, however with 1 x drawer for modules of max. 50 mm height, 1 x drawer for modules of max. 100 mm height and 8 x drawers for half modules of max. 100 mm height.
--	---

	Modules not included.
--	------------------------------

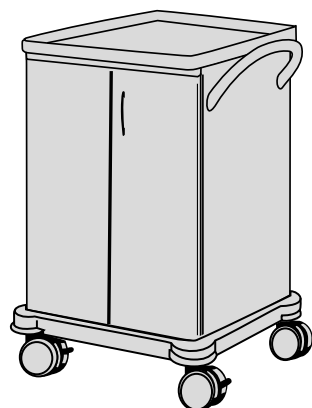


Model No.	Description
-----------	-------------

260.0036.0 ISO Trolley

as ISO trolley 260.0031.0, however with 1 x drawer for modules of max. 50 mm height, 2 x drawers for modules of max. 100 mm height, 2 x drawers for half modules of max. 100 mm height and 2 x drawers for half modules of max. 200 mm height.

Modules not included.



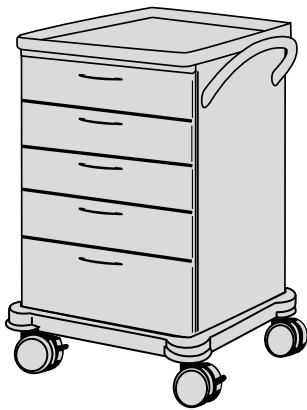
260.0037.0 ISO Trolley

as ISO trolley 260.0031.0, however with 2 hinged doors. Prepared for installation of ABS rail walls for full-size ISO modules (e.g. model no. 202.0086.0 from SCHMITZ or those of another manufacturer). We recommend the use of stops 202.0072.0 (pair) for full-size ISO modules as accessory.

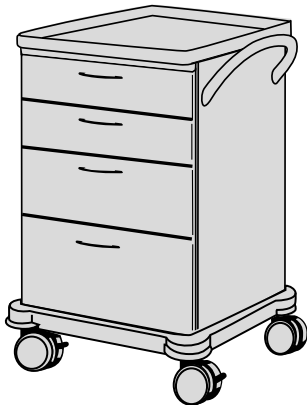
Modules not included.

varimed®
ISO trolleys
Width 720 mm, height 1,070 mm

Model No. Description



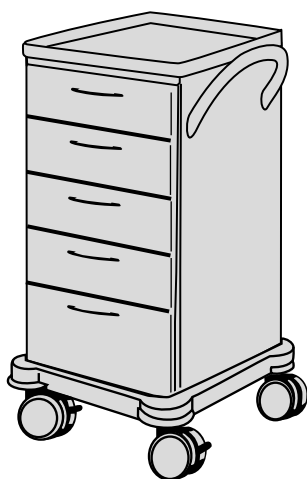
260.0050.0 ISO Trolley
 as ISO trolley 260.0031.0, however with 5 x drawers
 for modules of max. 100 mm height, **lower drawer**
with raised front panel.
Modules not included.



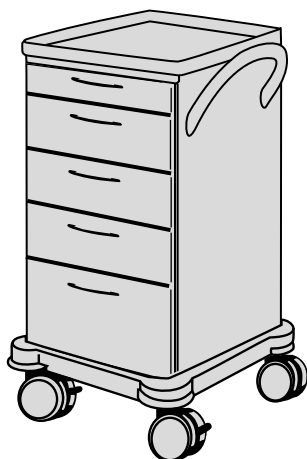
260.0051.0 ISO Trolley
 as ISO trolley 260.0031.0, 3 x drawers for modules
 of max. 100 mm height, **of which the 3rd with raised**
front panel, and 1 x drawer for modules of
 max. 200 mm height.
Modules not included.

varimed®
ISO trolleys
Width 360 mm, height 1,070 mm

Model No.	Description
-----------	-------------



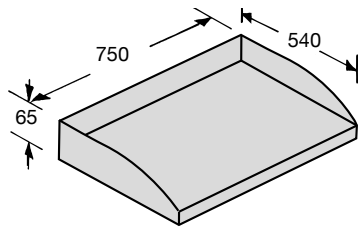
260.0052.0	ISO Trolley as ISO trolley 260.0031.0, however, 360 mm body width , with 5 x drawers for half modules of max. 100 mm height, lower drawer with raised front panel. Modules not included.
-------------------	--



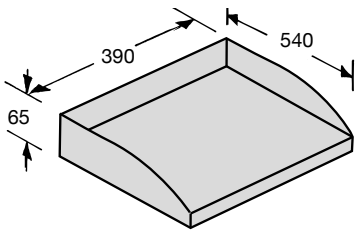
260.0039.0	ISO Trolley as ISO trolley 260.0031.0, however, 360 mm body width , with 1 x drawer for half modules of max. 50 mm height, 3 x drawers for half modules of max. 100 mm height and 1 x drawer for half modules of max. 200 mm height. Modules not included.
-------------------	---

varimed® ISO trolleys – table top variants

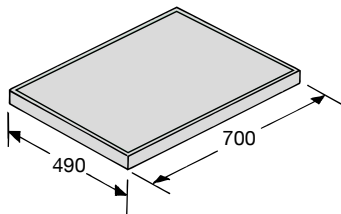
Model No. Description



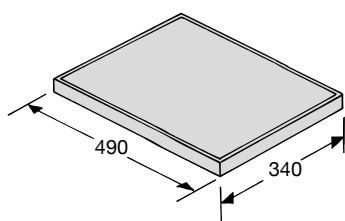
202.0033.0 Table top
made of plastic, silver grey, with 3-sided guard rail, **Surcharge**
for ISO trolleys 720 mm in width.



202.0042.0 Table top
made of plastic, silver grey, with 3-sided guard rail, **Surcharge**
for ISO trolleys 360 mm in width.

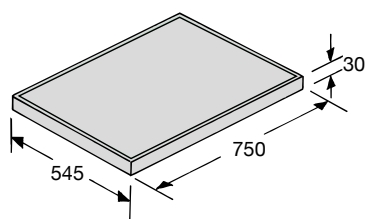


202.0034.0 Table top cover
SST 18/10, for ISO trolleys 720 mm in width.



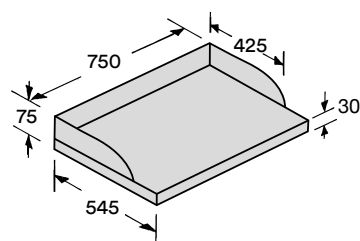
Model No. Description

202.0045.0 **Table top cover**
SST 18/10, for ISO trolleys 360 mm in width.



202.0035.0 **Table top made of SST 18/10**
with all around profile edge,
for ISO trolleys 720 mm in width.

Surcharge



202.0036.0 **Table top made of SST 18/10**
with 3-sided guard rail,
for ISO trolleys 720 mm in width.

Surcharge

varimed® Accessories for fixed mounting to functional and ISO trolleys

Model No.	Description
-----------	-------------



202.7560.1	<p>Central lock for drawers (including two drawers next to each other), not suitable for models with hinged doors or open compartments. Can be used to lock all drawers or individual drawers, please specify when ordering. The same key operates several functional trolleys or ISO trolleys as standard. No subsequent fitting possible. Drawers for half modules of 50 mm height cannot be locked!</p>
-------------------	--

202.0005.0 (w/o ill.)	<p>Set of spare keys 5 x additional keys for the central lock 202.7560.1.</p>
---------------------------------	--



202.0037.0	<p>Electronic lock (PIN) For opening and closing all drawers in ISO or functional trolleys by entering a PIN on the externally mounted keypad; installation on right side only. Power supply via replaceable AA batteries installed in the trolley. Can be used to lock all drawers or individual drawers, please specify when ordering. No subsequent fitting possible. Cannot be installed in ISO trolleys of 360 mm width. Drawers for half modules of 50 mm height cannot be locked!</p>
-------------------	---



Model No. Description

202.0038.0 Electronic lock (RFID – MIFARE)

For opening and closing all drawers in ISO or functional trolleys with a reader for user cards or key fobs. Data exchange via MIFARE encryption. The reader is externally mounted on the trolley's right side. Power supply via replaceable AA batteries installed in the trolley. Can be used to lock all drawers or individual drawers, please specify when ordering. No subsequent fitting possible.

Cannot be installed in ISO trolleys of 360 mm width. Drawers for half modules of 50 mm height cannot be locked!

Can only be used with card set 202.0065.0 and the user card 202.0057 or the RFID key fob 202.0058.0.

202.0073.0 Electronic lock (RFID – LEGIC)

(w/o ill.)

For opening and closing all drawers in ISO or functional trolleys with a reader for user cards or key fobs. Data exchange via LEGIC encryption. The reader is externally mounted on the trolley's right side. Power supply via replaceable AA batteries installed in the trolley. Can be used to lock all drawers or individual drawers, please specify when ordering. No subsequent fitting possible.

Cannot be installed in ISO trolleys of 360 mm width. Drawers for half modules of 50 mm height cannot be locked!

Can only be used with card set 202.0065.0 and the user card 202.0057 or the RFID key fob 202.0058.0.



Important:

User card or key fob not included; please order separately! If you are already using RFID transponders from another manufacturer, please check in advance whether they are compatible with our systems. Please contact us!

varimed®
**Accessories for fixed mounting
to functional and ISO trolleys**

Model No. Description



202.0057.0 User card
One user card for opening and closing ISO and functional trolleys in combination with an electronic RFID lock 202.0038.0 or 202.0073.0.



202.0058.0 RFID key fob
One key fob for opening and closing ISO and functional trolleys in combination with an electronic RFID lock 202.0038.0 or 202.0073.0.

Model No. Description



202.0065.0 Set including master card, update card, service key
One card set consisting of one master card, update card and service key. Required to install and set up electronic RFID locks 202.0038.0 and 202.0073.0.
If the electric lock 202.0038.0 or 202.0073.0 is fitted to several trolleys in one order, 1 pc. card set 202.0065.0 is sufficient.



202.0069.0 Set of programming cards
Optional; for use of various operating modes with electronic RFID locks 202.0038.0 and 202.0073.0, e.g. to activate and deactivate acoustic signals or to reset the locks to the factory settings.
If the electric lock 202.0038.0 or 202.0073.0 is fitted to several trolleys in one order, 1 pc. card set 202.0069.0 is sufficient.



202.0070.0 Emergency opener for PIN lock
For unlocking drawers when using an electronic lock with PIN 202.0037.0 in case of empty batteries in ISO or functional trolley. Requires a separate power source, e.g. a USB power bank.
If the electric lock 202.0073.0 is fitted to several trolleys in one order, 1 pc. emergency opener 202.0070.0 is sufficient.

varimed® Accessories for fixed mounting to functional and ISO trolleys



Model No.	Description
202.5520.0	Sealing strips (pair) powder-coated vermilion steel plate (RAL 2002), with 100 lead seals, for emergency trolley 260.0400.0.
202.5530.0 (w/o ill.)	Sealing strips (pair) powder-coated vermilion steel plate (RAL 2002), with 100 seals. For functional trolleys 860 mm high, with divided drawers.
202.5540.0 (w/o ill.)	Sealing strips (pair) powder-coated vermilion steel plate (RAL 2002), with 100 lead seals. For functional trolleys 1,010 mm high, with divided drawers.
202.5550.0 (w/o ill.)	Sealing strip (1 pc.) powder-coated vermilion steel plate (RAL 2002), with 100 lead seals, right hand side mounting. For functional trolleys 860 mm high, with full-width drawers.
202.5560.0 (w/o ill.)	Sealing strip (1 pc.) powder-coated vermilion steel plate (RAL 2002), with 100 lead seals, right hand side mounting. For functional trolleys 1,010 mm high, with full-width drawers.
202.5450.0 (w/o ill.)	Lead seals for lead sealing strip, 200 pcs.



Model No.	Description	
202.0014.0	Sealing strip (1 pc.) powder-coated vermilion steel plate (RAL 2002), with 100 lead seals, right hand side mounting. For ISO trolleys 1,070 mm high.	126,-
202.0059.0 (w/o ill.)	Sealing strips (pair) powder-coated vermilion steel plate (RAL 2002), with 100 lead seals. For ISO trolleys 1,070 mm high.	249,-
202.0060.0 (w/o ill.)	Sealing strip (1 pc.) powder-coated vermilion steel plate (RAL 2002), with 100 lead seals, right hand side mounting. For ISO trolleys 850 mm high.	112,-
202.0061.0 (w/o ill.)	Sealing strips (pair) powder-coated vermilion steel plate (RAL 2002), with 100 lead seals. For ISO trolleys 850 mm high.	223,-

varimed® Accessories for fixed mounting to functional and ISO trolleys

Model No. Description



202.4600.0 Framed label plate
with magnetic fixing for drawer fronts and hinged doors, 10 pcs

202.4650.0 Paper labels
white, for 202.4600.0, 18 pcs

202.4660.0 Paper labels
blue, for 202.4600.0, 18 pcs



202.1850.1 Bracket for dressing or syringe and cannula dispenser
Steel sheet powder-coated white aluminium (RAL 9006) for mounting dressing and syringe/cannula dispenser, with fixation, for functional trolleys of 450 mm width.

202.1860.1 Bracket for dressing or syringe and cannula dispenser
as 202.1850.1,
but for functional trolleys of 600 mm or 900 mm width and ISO trolleys of 720 mm width.

No combination of brackets 202.1850.1 and 202.1860.1 and multifunctional rail systems for mounting to the back of the trolley.

Model No. Description



202.1610.0 Syringe and cannula dispenser
730 × 240 × 410 mm (W x D x H),
grey plastic housing, with 3 large and 5 small
crystal-clear boxes, First-in/First-out system,
with twin set swab moistener and dispenser.



202.1640.0 Syringe and cannula dispenser
600 × 200 × 410 mm (W x D x H),
grey plastic housing, with 3 large and 5 small
crystal-clear boxes, First-in/First-out system,
without twin set.



202.1650.0 Syringe and cannula dispenser
730 × 240 × 410 mm (W x D x H),
grey plastic housing, with 3 large and 5 small
crystal-clear boxes, Last-in/First-out system,
with twin set swab moistener and dispenser.



202.1660.0 Syringe and cannula dispenser
600 × 200 × 410 mm (W x D x H),
grey plastic housing, with 3 large boxes 202.0001.0
and 5 small boxes 202.0003.0, Last-in/First-out system,
without twin set.



202.0007.0 Plastic basin
(w/o ill.) 525 × 455 × 220 mm (W x D x H) with holder,
for plaster dressing trolley 260.1050.0.

Further options for
different combinations
of boxes can be found
on page 113.

202.0008.0 Waste bag holder
(w/o ill.) swivel-type, with 1 roll of waste bags (48 pcs)
for plaster dressing trolley 260.1050.0.

(disposables not included)

varimed® Accessories for fixed mounting to functional and ISO trolleys

Model No. Description



- 202.5260.1 Pre-heating system € for drawer type 6D**
according to Low Voltage Directive 2014/35/EU for drawer Type 6 D. Setting and monitoring of temperature via display, adjustable up to max. 40 °C /104 °F, for instruments (e.g. specula). With time display and timer that allows setting when the preheater should automatically switch on and off.
Input supply voltage 100 - 240 V, 50/60 Hz, average power consumption 20 Watt, cable with mains plug, approx. 5 m long. The effective depth of the preheated drawer is reduced to 310 mm.
Can only be fitted in the top 2 drawers of a functional trolley. A maximum of 2 drawers can be fitted per functional trolley.



- 202.0006.0 Holder for ultrasound gel**
made of SST, 320 x 165 mm (L x W).
For warming the ultrasound gel fluid in the drawer with preheating element, suitable for up to 4 bottles of gel.



- 202.6660.0 Adjustable tray table**
570 x 370 mm (W x D) white, with fixation, height adjustable via telescope, horizontal height adjustment from 850 to 1220 mm, swivelling around 360° in 35° steps.
Swivel-in and swivel-out function. Fixed to the base of the trolley. Safe working load: 5 kg.
(no subsequent fitting)
Only for functional trolleys of 600 mm or 900 mm width.

Model No.	Description
202.4381.0 (w/o ill.)	<p>as-medical* C€ Medical fourfold socket outlet</p> <p>fourfold socket outlet with Schuko sockets type F for medical technical devices fulfilling the requirements of the standard IEC 60601-1, incl. holder, detachable. Dimensions: 530 × 65 × 72 mm (L x W x H). A locking clamp, solely adjustable by tool, protects from unintentional removing the power supply plugs. Equipped with 4 connection pins to be connected with the central potential equalisation. Max. total load: 2500 Watts two-pole fuse (T6 3 A) Supply line: 3 m incl. right-angle plug This multiple-socket outlet fulfils the requirements according to DIN EN 60601-1 and is also released for being operated in areas of application group 0/1/2 according to VDE definition 0100-710. Mounted to back panel of trolley.</p>
202.4382.0	<p>as-medical* C€ fourfold socket outlet for medical technical devices, similar to 202.4381.0, but without potential equalization. Dimensions: 400 × 65 × 72 mm (L x W x H). Mounted to the back panel of the trolley.</p>
202.4390.0 (w/o ill.)	<p>Sixfold socket outlet* C€</p> <p>with Schuko sockets type F, 250 V AC, max. 16 A, dimensions: 432 × 70 × 45 mm (L x W x H), made of anodised aluminium profile with rounded plastic edges, black, with convenient cord storage max. total load: 3600 Watts Supply line: 1.75 m HO5VV – F 1.5mm², incl. Schuko right angle plug This multiple-socket outlet must not be used for medical electrical equipment! No operation inside areas of application group 2. Mounted to back panel of trolley.</p>





varimed® Accessories for fixed mounting to functional and ISO trolleys

Model No.	Description
202.5110.0	Storage shelf
①	pivotable, steel, powder-coated white aluminium (RAL 9006), 445 × 395 mm (W x D), screw fixed at the left rear edge of the trolley, safe working load up to 20 kg. (additional fitting of dressing or injection dispensers not possible; cannot be fitted to ISO trolleys of 360 mm width.)
202.6860.0	Holder
②	for storage of the “Weinmann” resuscitation unit, Life Base III on carrying platform. Mounting at the guiding bar side. Only for functional trolleys. (Holder for other Weinmann systems upon request)
202.4700.0	Infusion pole* CE^{MD}
③	SST 18/10, upper section with 4 hooks, drip glass, height adjustable by 900 mm, one-hand action, safe working load: per hook 2 kg. (screw fixed to back wall of trolley).
202.5500.0	CPR board CE^{MD}
④	390 × 600 × 8 mm (W x H x D) incl. holder, fixed to the back of trolley. Cannot be fitted to functional trolleys with 450 mm width or ISO trolleys with 360 mm width!

varimed®
**Accessories for fixed mounting
 to functional and ISO trolleys**

Model No. Description



202.6600.0 **Storage shelf**
phase out
model 500 × 580 × 25 mm (W × D × H) SST 18/10, fold-down,
 (2 side rails 202.3000.0 required).
 Safe working load: 20 kg. Effective width: 460 mm.
Only for functional trolleys.
 Safe working load for 450 mm wide functional trolleys:
 10 kg!



202.0039.0 **Storage shelf**
 can be pulled out to the side, made of HPL
 400 × 385 mm, thickness 8 mm, load capacity 12 kg,
 increases the working height by 40 mm.
Only for ISO trolleys with 720 mm width.

202.0043.0 **Storage shelf**
 (w/o ill.) as 202.0039.0, however **for functional trolleys with**
450 mm width. Dimensions: 430 × 285 × 8 mm.

202.0004.0 **Storage shelf**
 (w/o ill.) as 202.0039.0, however **for functional trolleys with**
600 mm width. Dimensions: 430 × 380 × 8 mm.



Model No. Description

202.0041.0 Storage shelf

400 × 500 × 25 mm (W × D × H) made of plastic, silver grey, fold-down, safe working load: 20 kg.
Only for ISO trolleys with 720 mm width.

202.0044.0 Storage shelf

(w/o ill.)

as 202.0041.0, however **for functional trolleys.**

Dimensions: 400 × 500 × 25 mm.

Safe working load for 450 mm wide functional trolleys:
10 kg!



202.0055.0 Storage shelf

400 × 500 × 25 mm (W × D × H) made of SST 18/10, fold-down, safe working load: 20 kg.

Only for ISO trolleys with 720 mm width.

202.0056.0 Storage shelf

(w/o ill.)

as 202.0055.0, however **for functional trolleys.**

Dimensions: 400 × 500 × 25 mm.

Safe working load for 450 mm wide functional trolleys:
10 kg!



varimed®

The rail system for accessories

- Easy and fast attachment and interchange of accessories
- Suspending instead of screw-connection
- Side rails with a useful length of 460 mm –
Please observe space used by the accessory
- Functional trolleys can be equipped with
max. 3 rails on the left hand side and
max. 2 rails below the push handle

varimed® Accessory sets

Model No. Description



202.9600.0 **Accessory set for treatment trolley**
comprises:
2 side rails 202.3000.0 LHS mounted,
2 holders 205.1350.0,
plastic tray with closed lid 205.1450.0,
plastic tray with opening in lid 205.1460.0 and
waste bag holder 202.3810.0.



202.9650.0 **Accessory set for treatment trolley**
comprises:
1 side rail 202.3000.0 LHS mounted,
1 holder 205.1350.0, plastic tray with opening
in lid 205.1460.0, medical waste bin set 205.1550.0,
1 side rail 202.3000.0 RHS mounted,
waste bag holder 202.3810.0.



202.9720.0 **Accessory set for treatment trolley**
comprises:
syringe and cannula dispenser 202.1610.0 with
bracket 202.1860.1, side rail 202.3000.0 LHS
mounted with container for catheters 200.1380.0,
medical waste bin set 205.1550.0 and ampule opener
202.4310.0, for functional trolleys 600 mm in width.

varimed®**Accessories for mounting to accessory rail system**

Model No.	Description
-----------	-------------



202.3000.0	Side rail aluminium, 25 × 10 mm, with fastening pieces, safe working load up to 20 kg. Effective width: 460 mm Only for functional trolleys.
-------------------	--



202.0016.0	Side rail 460 mm long, aluminium, 25 × 10 mm, with fastening pieces, safe working load up to 20 kg. Effective width: 410 mm Only for ISO trolleys.
-------------------	--

varimed®

Accessories for mounting to accessory rail system

Model No. Description



202.0017.0 Document holder
440 × 40 × 300 mm (W x D x H), SST 18/10.
Effective width: 400 mm.



202.3230.0 Swivel-mounted tray, square
230 × 190 × 40 mm (W x D x H), SST 18/10, with holder
and plastic rail clamp. Effective width: 220 mm.



202.3240.0 Swivel-mounted tray, round
Ø 220 × 40 mm (diam. x H), SST 18/10, with holder and
plastic rail clamp. Effective width: 220 mm.

202.3300.0 Tray
355 × 320 × 65 mm (W x D x H), SST 18/10, with steel
holder, powder-coated white aluminium (RAL 9006),
SST 18/10. Effective width: 380 mm.
Cannot be used with ISO trolleys of 360 mm width.



205.1350.0 Holder
290 × 215 × 25 mm (W x D x H) of steel, powder-
coated white aluminium (RAL 9006), plastic rail clamp,
for plastic trays 205.1450.0 and 205.1460.0.
Effective width: 300 mm.

205.1460.0 Plastic tray
225 × 300 × 130 mm (W x D x H)
made of polypropylene, with opening in lid.

205.1450.0 Plastic tray
(w/o ill.) 225 × 300 × 130 mm (W x D x H)
made of polypropylene, with closed lid.

Model No. Description



202.3470.0 12 l bucket
 Ø 310 × 270 mm (diam. x H)
 SST 18/10 bucket with steel holder,
 powder-coated white aluminium (RAL 9006),
 with plastic rail clamp.
 Effective width: 330 mm.
Cannot be used with ISO trolleys of 360 mm width.

202.1370.0 Lid
 (w/o ill.) made of SST 18/10, for 12 l bucket.



202.3490.0 5 l bowl
 Ø 330 × 140 mm (diam. x H)
 SST 18/10 bowl with steel holder, powder-coated
 white aluminium (RAL 9006), with plastic rail clamp.
 Effective width: 330 mm.



202.3710.0 Waste bag holder
 225 × 205 × 360 mm (W x D x H)
 grey white plastic casing, content approx. 8 litres with
 knee operation, for 10 l waste bags, steel holder,
 powder-coated white aluminium (RAL 9006),
 2 plastic rail clamps.
 Effective width: 230 mm.



202.3740.0 Waste bag holder
 350 × 250 × 520 mm (W x D x H)
 grey white plastic casing, content approx. 20 litres,
 with knee operation, for 20 l waste bags, steel holder,
 powder-coated white aluminium (RAL 9006),
 2 plastic rail clamps.
 Effective width: 360 mm.

Please note:

The waste bag holder 202.3740.0 cannot be mounted below the guiding bar of 860 mm high functional trolleys or 850 mm high ISO trolleys (upon opening, lid would collide with the guiding bar).

varimed®

Accessories for mounting to accessory rail system

Model No. Description



202.3810.0 Waste bag holder

265 × 205 × 425 mm (W x D x H)

wire Rilsan coated, with plastic lid, for 15 l waste bags, steel holder, powder coated white aluminium RAL 9006, plastic rail clamp, incl. 1 roll of waste bags 202.2070.0. Effective width: 300 mm.



202.3910.0 Waste bag holder

280 × 110 × 410 mm (W x D x H)

powder-coated white aluminium (RAL 9006) sheet steel, with 2 plastic rail clamps, for 15 l waste bags, incl. 1 roll of waste bags 202.2070.0. Effective width: 300 mm.

202.2070.0 Spare waste bags

(w/o ill.)

15 litres, in rolls, 48 pcs, for 202.3810.0, 202.3910.0, 202.0008.0, 205.0007.0 and 205.0008.0.



202.0009.0 Refuse container

420 × 175 × 410 mm (W x D x H)

powder-coated white aluminium RAL 9006 sheet steel, volume 18 litres, with 2 plastic rail clamps. Protruding lid can be opened by knee. Effective width: 420 mm.

Model No. Description



205.0900.0 Disinfectant dispenser
Height adjustable, for mounting of 500 ml container, with SST pump, with fastening plate made of powder-coated white aluminium RAL 9006 steel plate, main tube 500 mm in length and plastic rail clamp. Effective width: 100 mm.

205.0910.0 Disinfectant dispenser
Height adjustable, for mounting of 1,000 ml container, with SST pump, with fastening plate made of powder-coated white aluminium RAL 9006 steel plate, main tube 500 mm in length and plastic rail clamp. Effective width: 100 mm.

Illustration incl. drip-catcher 205.1050.0/205.1060.0



205.0920.0 Disinfectant dispenser
For mounting of 500 ml container, with SST pump, with fastening plate made of powder-coated white aluminium RAL 9006 steel plate and plastic rail clamp. Effective width: 100 mm.

205.0930.0 Disinfectant dispenser
For mounting of 1,000 ml container, with SST pump, with fastening plate made of powder-coated white aluminium RAL 9006 steel plate and plastic rail clamp. Effective width: 100 mm.



205.1050.0 Drip-catcher
SST 18/10, for 500 ml disinfectant dispenser.

205.1060.0 Drip-catcher
SST 18/10, for 1,000 ml disinfectant dispenser.

varimed®

Accessories for mounting to accessory rail system

Model No.	Description
205.1550.0	Medical waste bin set 1.5 litres 20 polypropylene boxes with red lid, SST 18/10 holder and plastic rail clamp. Effective width: 200 mm. (Holders for different systems upon request)
205.1510.0	Holder as 205.1550.0, however without boxes. Effective width: 200 mm. (Holders for different systems upon request)
205.1600.0 (w/o ill.)	Medical waste bin set 1.5 litres Carton with 100 boxes, without holder.
202.4310.0	Ampule opener Cupfix with removable collecting tray and diamond file, steel holder powder-coated white aluminium RAL 9006, with plastic rail clamp. Effective width: 170 mm.



Model No. Description



202.5210.0 Holder for gloves dispenser
100 × 150 to 280 × 35 mm (W x D x H), adjustable, for all common disposable glove cartons, made of steel powder-coated white aluminium (RAL 9006), with plastic rail clamp. Effective width: 100 to approx. 165 mm depending on the carton size. (without gloves)



205.1910.0 Holder for gloves dispenser
made of steel powder-coated white aluminium (RAL 9006), with 2 plastic rail clamps for mounting to accessory rail, for all common disposable glove cartons, max. 3 cartons. Width adjustable from 215 to 255 mm, depth adjustable from 65 to 90 mm, height 400 mm. Effective width: 400 mm.

205.0001.0 Holder for gloves dispenser
(w/o ill.) similar to 205.1910.0, but height 530 mm for max. 4 cartons.



205.1930.0 Holder for gloves dispenser
260 × 400 × 93 mm (W x H x D), not adjustable, made of steel powder-coated white aluminium (RAL 9006), with 2 plastic rail clamps 205.0760.0 for side rail mounting. (can also be mounted horizontally) Effective width: 300 mm. (for vertical mounting)

varimed®

Accessories for mounting to accessory rail system

Model No. Description



205.1750.0 Catheter basket
150 × 100 × 480 mm (W x D x H), SST 18/10,
with two hooks to hang onto accessory rail.
Effective width: 150 mm.



202.5800.0 Basket
575 × 280 × 260 mm (W x H x D),
SST 18/10, to hang onto accessory rail.
Effective width: 460 mm.



205.1700.0 Basket
300 × 200 × 200 mm (W x D x H),
SST 18/10, with two hooks, to hang onto accessory rail.
Effective width: 300 mm.

Model No. Description



205.1710.0 Basket
300 × 200 × 100 mm (W x D x H),
SST 18/10, with two hooks, to hang onto accessory rail.
Effective width: 300 mm.



202.0012.0 Basket
290 × 95 × 95 mm (W x D x H), SST 18/10,
with two hooks to hang onto accessory rail.
Effective width: 215 mm.



202.0013.0 Basket
460 × 150 × 150 mm (W x D x H), SST 18/10,
with two hooks to hang onto accessory rail.
Effective width: 385 mm.

varimed®

Accessories for mounting to accessory rail system

Model No. Description



200.1380.0 Catheter container
164 × 75 × 450/560 mm (W x D x H),
SST 18/10, for storage of catheters.
(to attach to the guard rail or accessory rail)
Effective width: 165 mm.

202.4550.0 Lid
(w/o ill.) SST 18/10, for catheter container 200.1380.0.



202.0011.0 Oxygen tank holder
powder-coated white aluminium RAL 9006
sheet steel, with plastic rail clamp,
for tanks of up to 5 litres, with fixing strap.
For safety reasons, in order to remove the
oxygen tank holder, the side rail has to be detached.
Effective width: 150 mm.
**Cannot be used with ISO trolleys with a width
of 360 mm!**



202.6950.0 Document holder
500 × 40 × 300 mm (W x D x H)
SST 18/10.
Effective width: 460 mm.
Only for functional trolleys.



Modell-Nr. Beschreibung

202.8300.0 Soiled linen container

400 × 350 × 810 mm (W × D × H), SST 18/10 frame,
with welded-on holding frame with rubber seal ring
(2 x side rails 202.3000.0 required).

Effective width: 460 mm.

**For functional trolleys with 1,010 mm height and 720
mm wide ISO trolleys with 1,070 mm height.**

202.2310.0 Lid with handle

(w/o ill.) plastic, with fixation.

202.2320.0 Lid with handle

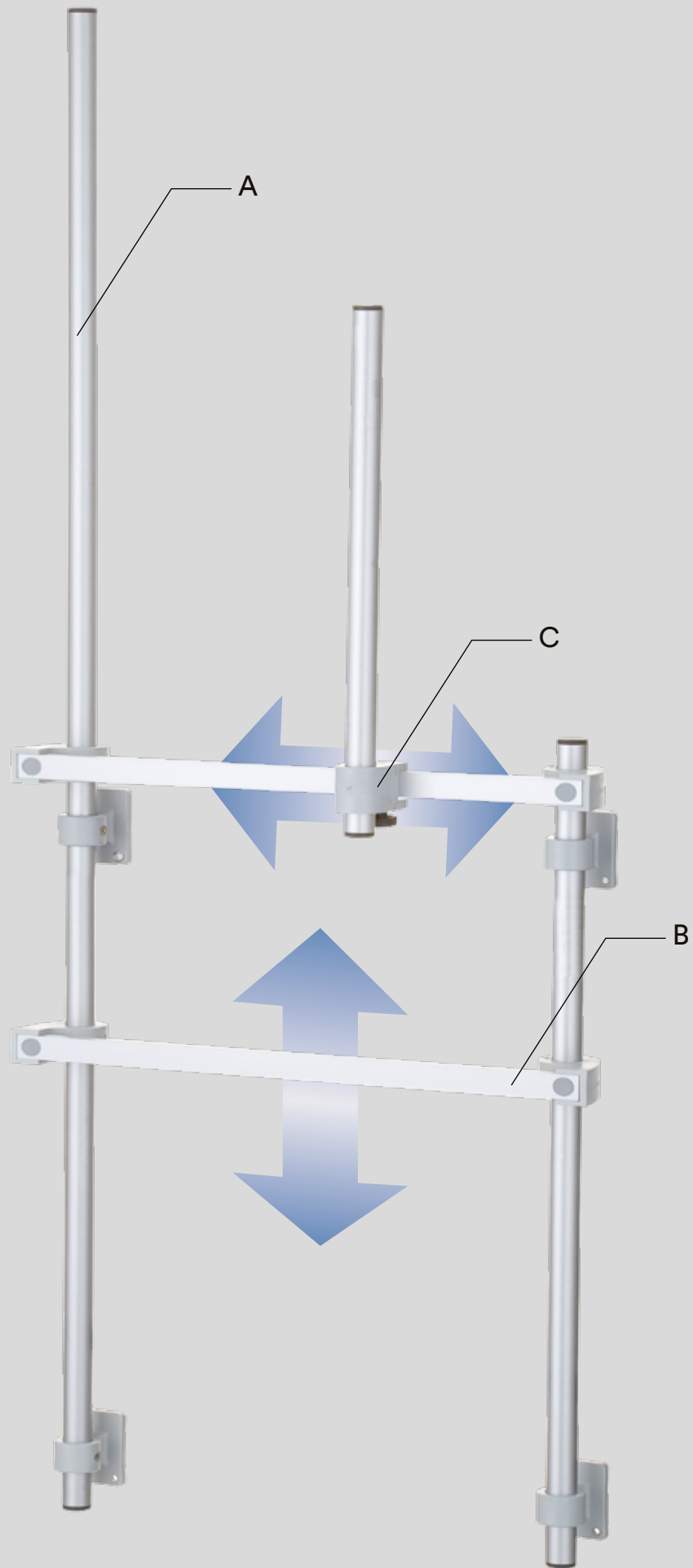
(w/o ill.) plastic, without fixation.



varimed®
The multifunctional rail system
Together they work better

A strong combination with decisive advantages:
Functional trolleys with multifunctional rail system.

- Simple and ergonomic attachment of accessories – vertically and horizontally adjustable.
- Saves time by optimizing and standardizing work sequences.
- Minimizes cross-contamination due to hygienic arrangement of dispensers.
- Safety due to firm and ergonomic fitting of the equipment needed at the right place.
- Use of standard accessory rails 25 × 10 mm.
- Subsequent fitting on existing trolleys.



varimed® The multifunctional rail system for accessories

This rail system can turn a trolley into a mobile workplace that can be individually and optimally designed to serve as your assistant.

- The main tubes (A) are available in different lengths. Accessories can be attached at the desired work height.
- The accessory rails (B) can be easily adjusted upward or downward.
- A clamp (C) can be used to horizontally adjust short main tubes to the accessory rails.
- The main tubes and the accessory rails are made of aluminium, the fastening elements and clamps are made of plastic.
- The rail system as seen in the picture weighs only approx. 2.5 kg.

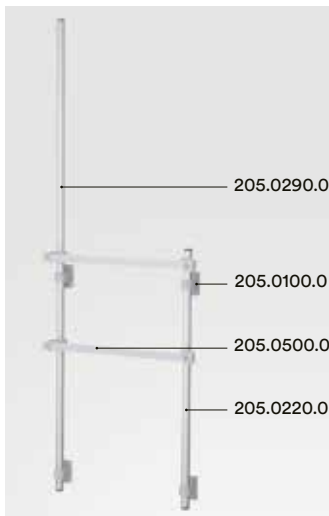
! The multifunctional rail system cannot be used with ISO trolleys of 360 mm width!

varimed®

Multifunctional rail system

Racks for accessories, Accessory sets

Model No. Description



205.4000.0 Rack for supporting accessories
aluminium/plastic,
lateral mounting to functional trolley, comprises:
4 pc Basic fastening elements (205.0100.0)
1 pc Main tube 1,500 mm (205.0290.0)
1 pc Main tube 800 mm (205.0220.0)
2 pc Accessory rails 25 × 10 × 510 mm (205.0500.0)



205.4010.0 Accessory set for rack 205.4000.0
1 pc Holder for gloves dispenser (205.1900.0)
1 pc Disinfectant dispenser (205.0900.0)
1 pc Basket (205.1710.0)
1 pc Basket for catheters (205.1750.0)



Model No. Description

205.4120.0 Rack for supporting accessories

aluminium/plastic, mounted to back of functional trolleys of 450 mm width, comprises:

4 pc Basic fastening elements (205.0100.0)

2 pc Main tubes 1,500 mm (205.0290.0)

1 pc Accessory rail 25 × 10 × 360 mm (205.0540.0)

205.4100.0 Rack for supporting accessories

aluminium/plastic, mounted to back of functional trolleys of 600 mm width or ISO trolleys of 720 mm width, comprises:

4 pc Basic fastening elements (205.0100.0)

2 pc Main tubes 1,500 mm (205.0290.0)

1 pc Accessory rail 25 × 10 × 510 mm (205.0500.0)

205.4140.0 Rack for supporting accessories

aluminium/plastic, mounted to back of functional trolleys of 900 mm width, comprises:

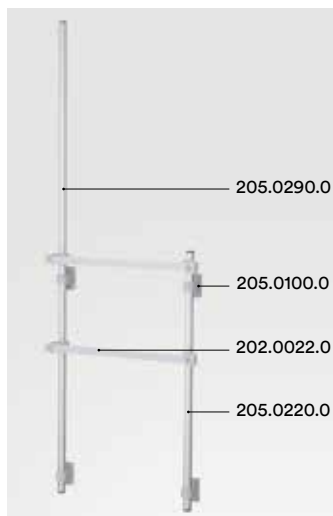
4 pc Basic fastening elements (205.0100.0)

2 pc Main tubes 1,500 mm (205.0290.0)

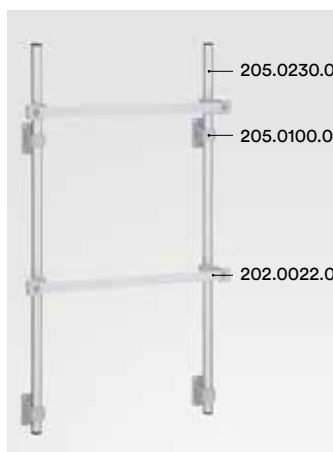
1 pc Accessory rail 25 × 10 × 810 mm (205.0530.0)

varimed®
Multifunctional rail system
Racks for accessories, Accessory sets

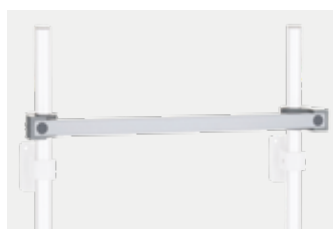
Model No. Description



202.0018.0 Rack for supporting accessories
 aluminium/plastic, lateral mounting to ISO trolleys
 of 720 mm width, comprises:
 4 pc Basic fastening elements (205.0100.0)
 1 pc Main tube 1,500 mm (205.0290.0)
 1 pc Main tube 800 mm (205.0220.0)
 2 pc Accessory rails (205.0022.0)



202.0021.0 Rack for supporting accessories
 aluminium/plastic, lateral mounting to ISO trolleys
 of 720 mm width, comprises:
 4 pc Basic fastening elements (205.0100.0)
 2 pc Main tube 900 mm (205.0230.0)
 2 pc Accessory rails (205.0022.0)



202.0022.0 Accessory rail 25 × 10 × 460 mm
 made of anodized aluminium, for mounting of
 accessories, incl. 2 clamps 205.0600.0 for mounting
 to the rack for supporting accessories for lateral
 mounting to ISO trolleys of 720 mm width.
 Max. load capacity 20 kg.
 Effective width: 410 mm.



Model No. Description

205.4130.0 Accessory set for rack 205.4120.0

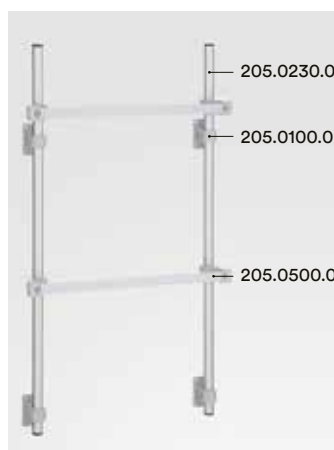
1 pc Shelf (205.1270.0)
1 pc Fixing bracket (205.1140.0)
for mounting of dressing or syringe and
cannula dispensers.

205.4110.0 Accessory set for rack 205.4100.0

1 pc Shelf (205.1280.0)
1 pc Fixing bracket (205.1150.0)
for mounting of dressing or syringe and
cannula dispensers.

205.4150.0 Accessory set for rack 205.4140.0

1 pc Shelf (205.1290.0)
1 pc Fixing bracket (205.1160.0)
for mounting of dressing or syringe and
cannula dispensers.



205.4200.0 Rack for supporting accessories

aluminium/plastic, lateral mounting to
functional trolleys, comprises:
4 pc Basic fastening elements (205.0100.0)
2 pc Main tubes 900 mm (205.0230.0)
2 pc Accessory rails 25 × 10 × 510 mm (205.0500.0)



205.4210.0 Accessory set for rack 205.4200.0

1 pc Medical waste bin set 1.5 litres (205.1550.0)
1 pc Holder (205.1350.0)
1 pc Plastic tray (205.1450.0)
1 pc Refuse container (205.2100.0)

varimed® Multifunctional rail system Basic elements

Model No. Description

205.0100.0 Basic fastening element
Made of plastic, for main tubes 205.0200.0 to 205.0290.0 (2 pieces per tube required), for assembly on the trolley.

205.0200.0 Main tube 500 mm
Made of anodized aluminium, Ø 25 mm, with end caps.

205.0220.0 Main tube 800 mm
otherwise designed as 205.0200.0.

205.0230.0 Main tube 900 mm
otherwise designed as 205.0200.0.

205.0260.0 Main tube 1200 mm
otherwise designed as 205.0200.0.

205.0270.0 Main tube 1300 mm
otherwise designed as 205.0200.0.

205.0280.0 Main tube 1400 mm
otherwise designed as 205.0200.0.

205.0290.0 Main tube 1500 mm
otherwise designed as 205.0200.0.





Model No. Description

205.0500.0 Accessory rail 25 × 10 × 510 mm

Made of anodized aluminium, for mounting of accessories, incl. 2 clamps 205.0600.0, for the rear wall of trolleys 600 mm and ISO trolleys 720 mm in width, for the side wall of trolleys 450, 600 and 900 mm in width.

Safe working load up to 20 kg.

Effective width: 450 mm.

205.0530.0 Accessory rail 25 × 10 × 810 mm

For the rear wall of trolleys 900 mm in width, otherwise designed as 205.0500.0.

Safe working load up to 20 kg.

Effective width: 750 mm.

205.0540.0 Accessory rail 25 × 10 × 360 mm

For the rear wall of trolleys 450 mm in width, otherwise designed as 205.0500.0.

Safe working load up to 20 kg.

Effective width: 300 mm.

varimed®
Multifunctional rail system
Accessories for attachment to main tubes

Model No. Description



205.1140.0 Fixing bracket for dressing and syringe/cannula dispenser
 590 mm wide, made of powder-coated white aluminium RAL 9006 sheet steel, with 4 plastic clamps, for attachment to accessory rack 205.4120.0.

205.1150.0 Fixing bracket for dressing and syringe/cannula dispenser
 590 mm wide, made of powder-coated white aluminium RAL 9006 sheet steel, with 4 plastic clamps, for attachment to accessory rack 205.4100.0.

205.1160.0 Fixing bracket for dressing and syringe/cannula dispenser
 890 mm rear panel, 590 mm support surface for dispenser, made of powder-coated white aluminium RAL 9006 sheet steel, with 4 plastic clamps, for attachment to accessory rack 205.4140.0.



205.1270.0 Shelf
 450 × 300 mm (W x D) powder-coated RAL 9006, with 4 plastic clamps to slide onto basic tube of rack 205.4120.0.
 Safe working load: 15 kg.

205.1280.0 Shelf
 as 205.127.0, however 600 × 300 mm (W x D), fits rack 205.4100.0.

205.1290.0 Shelf
 as 205.127.0, however 900 × 300 mm (W x D), fits rack 205.4140.0.

Model No. Description



202.1610.0 Syringe and cannula dispenser
730 × 240 × 410 mm (W x D x H)
grey plastic housing, with 3 large and 5 small
crystal-clear boxes, First-in/First-out system,
with twin set swab moistener and dispenser.



202.1650.0 Syringe and cannula dispenser
730 × 240 × 410 mm (W x D x H)
grey plastic housing, with 3 large and 5 small
crystal-clear boxes, Last-in/First-out system,
with twin set swab moistener and dispenser.



202.1640.0 Syringe and cannula dispenser
600 × 200 × 410 mm (W x D x H)
grey plastic housing, with 3 large and 5 small
crystal-clear boxes, First-in/First-out system,
without twin set.



202.1660.0 Syringe and cannula dispenser
600 × 200 × 410 mm (W x D x H)
grey plastic housing, with 3 large boxes 202.0001.0
and 5 small boxes 202.0003.0, Last-in/First-out system,
without twin set.



202.0001.0 Set with 3 boxes
(w/o ill.) Last-in/First-out system

202.0002.0 Set with 4 boxes
Last-in/First-out system

202.0003.0 Set with 5 boxes
(w/o ill.) Last-in/First-out system

varimed®
Multifunctional rail system
Accessories for attachment to main tubes

Model No. Description



205.0950.0 Disinfectant dispenser
 for mounting of 500 ml container, with SST pump,
 with fastening plate made of powder-coated
 white aluminium RAL 9006 sheet steel and
 plastic clamp for sliding onto the main tube.

205.0960.0 Disinfectant dispenser
 for mounting of 1,000 ml container, with SST pump,
 with fastening plate made of powder-coated
 white aluminium RAL 9006 sheet steel and
 plastic clamp for sliding onto the main tube.

Illustration incl. drip-catcher 205.1050.0/205.1060.0

205.1050.0 Drip-catcher
 Made of SST 18/10, for 500 ml disinfection dispenser.

205.1060.0 Drip-catcher
 Made of SST 18/10, for 1,000 ml disinfection dispenser.



205.2300.0 Multifunctional plate
 made of Trespa, 420 × 388 × 8 mm (W x D x H),
 mounting made of SST 18/10,
 with 2 plastic clamps for sliding onto main tubes
 (can only be used on the side of the trolley).
 Safe working load: 12 kg.

Model No. Description



205.0450.0 Bottle holder
plastic, with 4 hooks, for insertion into main tube.
Safe working load: 2 kg per hook.



205.1900.0 Holder for gloves dispenser
SST 18/10, with 2 plastic clamps to slide onto main tube
(of min. 1,300 mm length). For all common disposable
glove cartons, max. 3 cartons.
Adjustable in width from 215 to 255 mm,
in depth from 65 to 90 mm, height 400 mm.

205.0002.0 Holder for gloves dispenser
(w/o ill.) similar to 205.1900.0, but height 530 mm for
max. 4 cartons.



205.1920.0 Holder for gloves dispenser
260 × 93 × 400 mm (W × D × H),
not adjustable, SST 18/10, with 2 plastic clamps
205.0700.0 for sliding onto main tube.
(of min. 1,300 mm length)



205.1800.0 Monitor holder
made of powder-coated white aluminium
RAL 9006 sheet steel with 2 plastic clamps 205.0700.0
for sliding onto main tube (of min. 1,300 mm length),
supports VESA standards 75 × 75/100 × 100 mm,
carrying capacity: 10 kg.

varimed®
Multifunctional rail system
Accessories for attachment to accessory rails

Model No. Description



202.3230.0 Swivel-mounted tray, square
 230 × 190 × 40 mm (W × D × H)
 SST 18/10 with holder and plastic rail clamp.
 Effective width: 220 mm.

202.3240.0 Swivel-mounted tray, round
 Ø 220 × 40 mm (diam. × H)
 SST 18/10 with holder and plastic rail clamp.
 Effective width: 220 mm.



202.3300.0 Tray
 355 × 320 × 65 mm (W × D × H)
 SST 18/10, with steel holder,
 plastic-coated white aluminium RAL 9006/SST 18/10.
 Effective width: 380 mm.



205.1350.0 Holder
 290 × 215 × 25 mm (W × D × H)
 of steel, powder-coated white aluminium (RAL 9006),
 plastic rail clamp, for plastic trays 205.1450.0 and
 205.1460.0.
 Effective width: 300 mm.

205.1450.0 Plastic tray
 (w/o ill.) 225 × 300 × 130 mm (W × D × H)
 of polypropylene, with closed lid.

205.1460.0 Plastic tray
 225 × 300 × 130 mm (W × D × H)
 of polypropylene, with opening in lid.

Model No. Description



205.0004.0 **5 l bowl**
Ø 330 × 140 mm (diam. x H)
SST 18/10 bucket with steel holder, powder-coated white aluminium (RAL 9006), with plastic rail clamp.
Effective width: 330 mm.



205.0005.0 **12 l bucket**
Ø 310 × 270 mm (diam. x H)
SST 18/10 bowl with steel holder, powder-coated white aluminium (RAL 9006), with plastic rail clamp.
Effective width: 330 mm.

202.1370.0 **Lid**
(w/o ill.) made of SST 18/10, for 12 l bucket.

varimed®
Multifunctional rail system
Accessories for attachment to accessory rails

Model No. Description



205.0003.0 Waste bag holder
 225 × 205 × 360 mm (W x D x H)
 grey white plastic casing, content approx. 8 litres
 with knee operation, for 10 l waste bags, steel holder,
 powder-coated white aluminium (RAL 9006),
 with 2 plastic rail clamps.
 Effective width: 230 mm.



205.0006.0 Waste bag holder
 350 × 250 × 520 mm (W x D x H)
 grey white plastic casing, content approx. 20 litres
 with knee operation, for 20 l waste bags, steel holder,
 powder-coated white aluminium (RAL 9006),
 with 2 plastic rail clamps.
 Effective width: 260 mm.



205.0007.0 Waste bag holder
 265 × 205 × 425 mm (W x D x H)
 wire Rilsan coated, with plastic lid, for 15 l waste
 bags, steel holder, powder coated white aluminium
 RAL 9006, plastic rail clamp, incl. 1 roll of waste
 bags 202.2070.0.
 Effective width: 300 mm.



205.0008.0 Waste bag holder
 280 × 110 × 410 mm (W x D x H)
 powder-coated white aluminium (RAL 9006)
 sheet steel, with 2 plastic rail clamps, for 15 l waste
 bags, incl. 1 roll of waste bags 202.2070.0.
 Effective width: 300 mm.

202.2070.0 Roll of spare bags
 15 litres, in rolls, 48 pcs,
 for 202.3810.0, 202.3910.0,
 202.0008.0, 205.0007.0 and 205.0008.0.

Model No. Description



205.2100.0 Refuse container
 420 × 175 × 410 mm (W x D x H)
 powder-coated white aluminium RAL 9006 sheet steel,
 volume 18 litres, with 2 plastic rail clamps. Protruding
 lid can be opened by knee.
 Effective width: 420 mm.



205.1550.0 Medical waste bin set 1.5 l
 20 polypropylene boxes with red lid,
 SST 18/10 holder and rail clamp.
 Effective width: 200 mm.
 (Holders for different systems upon request)

205.1510.0 Holder
 as 205.1550.0, however without boxes.
 Effective width: 200 mm.
 (Holders for different systems upon request)

205.1600.0 Medical waste bin set 1.5 l
 Carton with 100 boxes, without holder.



202.4310.0 Ampule opener Cupfix
 with removable collecting tray and diamond file,
 holder of steel, powder coated white aluminium
 RAL 9006, with plastic clamp.
 Effective width: 170 mm.

varimed®
Multifunctional rail system
Accessories for attachment to accessory rails

Model No. Description



205.0900.0 Disinfectant dispenser
 Height adjustable, for mounting of 500 ml container, with fastening plate made of powder-coated white aluminium RAL 9006 steel plate, main tube 500 mm in length and plastic rail clamp. Effective width: 100 mm.

205.0910.0 Disinfectant dispenser
 Height adjustable, for mounting of 1,000 ml container, with fastening plate made of powder-coated white aluminium RAL 9006 steel plate, main tube 500 mm in length and plastic rail clamp. Effective width: 100 mm.

Illustration incl. drip-catcher 205.1050.0/205.1060.0



205.0920.0 Disinfectant dispenser
 For mounting of 500 ml container, with fastening plate made of powder-coated white aluminium RAL 9006 steel plate and plastic rail clamp. Effective width: 100 mm.

205.0930.0 Disinfectant dispenser
 For mounting of 1,000 ml container, with fastening plate made of powder-coated white aluminium RAL 9006 steel plate and plastic rail clamp. Effective width: 100 mm.



205.1050.0 Drip-catcher
 Made of SST 18/10, for 500 ml disinfection dispenser.

205.1060.0 Drip-catcher
 Made of SST 18/10, for 1,000 ml disinfection dispenser.

Model No. Description



205.1910.0 Holder for gloves dispenser
made of steel powder-coated white aluminium (RAL 9006), with 2 plastic rail clamps for mounting to accessory rail, for all common disposable glove cartons, max. 3 cartons. Width adjustable from 215 to 255 mm, depth adjustable from 65 to 90 mm, height 400 mm. Effective width: 400 mm.



205.1930.0 Holder for gloves dispenser
260 × 400 × 93 mm (W x D x H), not adjustable, made of steel powder-coated white aluminium (RAL 9006), with 2 plastic clamps 205.0760.0 for side rail attachment. Effective width: 400 mm when mounted horizontally.



202.5210.0 Holder for gloves dispenser
100 × 150 × 280 × 35 mm (W x D x H) adjustable, for all common disposable glove cartons, made of steel powder-coated white aluminium (RAL 9006), with plastic rail clamp. Effective width: 100 to approx. 165 mm depending on the carton size. (w/o gloves)

varimed®
Multifunctional rail system
Accessories for attachment to accessory rails

Model No. Description



205.1750.0 Catheter basket
150 × 100 × 480 mm (W x D x H), SST 18/10,
with two hooks to hang onto accessory rail.
Effective width: 150 mm.



205.1700.0 Basket
300 × 200 × 200 mm (W x D x H), SST 18/10,
with two hooks, to hang onto accessory rail.
Effective width: 300 mm.



205.1710.0 Basket
300 × 200 × 100 mm (W x D x H), SST 18/10,
with two hooks, to hang onto accessory rail.
Effective width: 300 mm.

Model No. Description



205.2200.0 Oxygen tank holder

powder-coated white aluminium RAL 9006 sheet steel, with plastic rail clamp, for tanks of up to 5 litres, with fixing strap.
Effective width: 150 mm.



202.4450.0 Collector

250 × 300 × 150 mm (L × H × D) for excision forceps, of SST 18/10 with holder, for attachment to accessory rail.

202.4510.0 Endoscope holder

incl. 2 plastic clamps for mounting to accessory rails.
(requires 2 pcs accessory rails,
Length = 1.30 m fixed, extendable to 2.10 m)

varimed®
Individual clamps for add-on orders

Model No. Description

205.0600.0 **Clamp 2-part**
Made of plastic to be mounted onto the main tube,
for attachment of the accessory rails 205.0500.0 to
205.0540.0.

205.0610.0 **Accessory rail clamp**
Plastic, with star handle.



Model No. Description



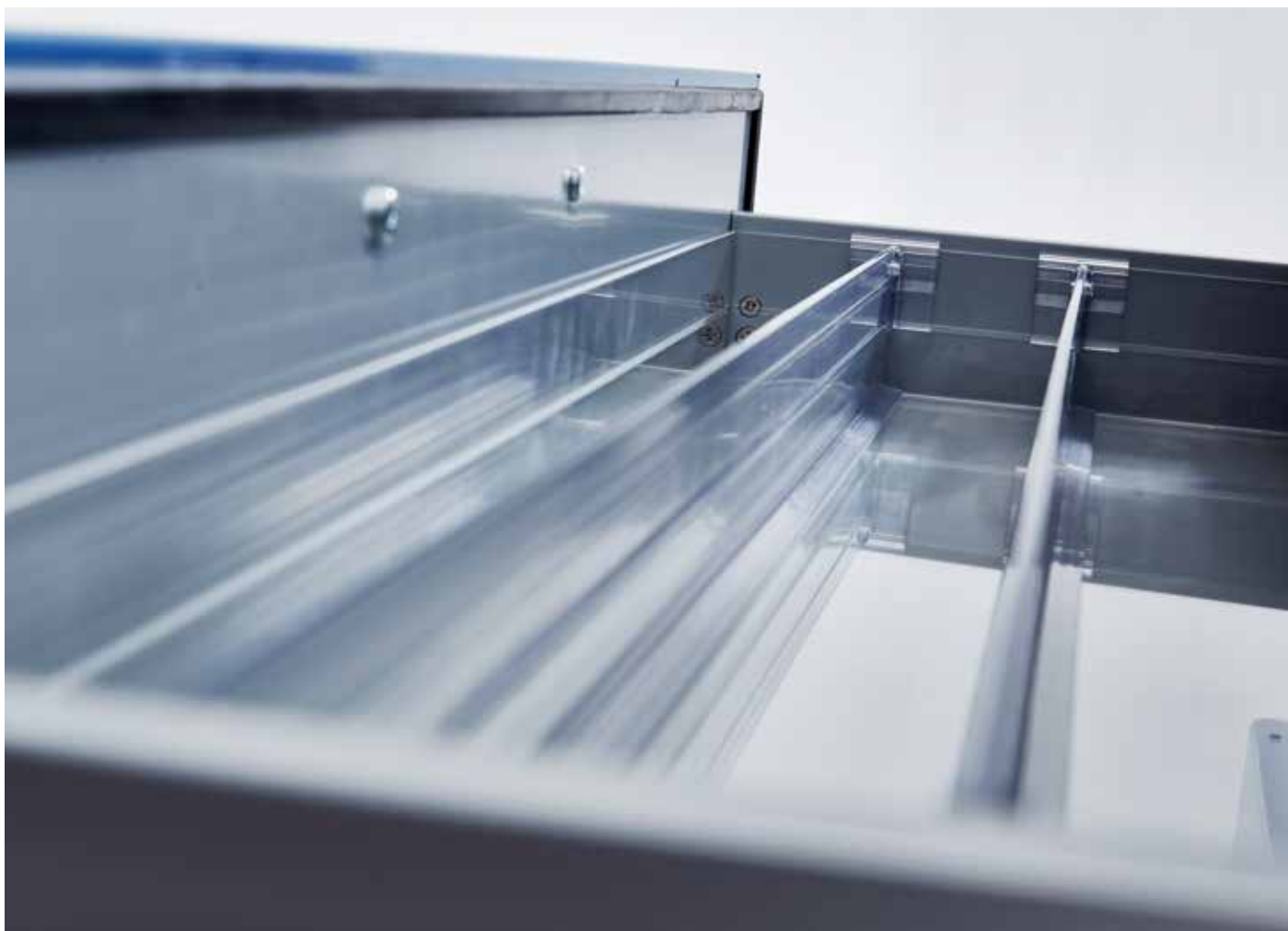
205.0700.0 Clamp
Plastic, with star handle.



205.0750.0 Rail clamp
Plastic, with star handle, slip on version,
for assembly of equipment.



205.0760.0 Rail clamp
Plastic, with star handle, clip on version,
for assembly of equipment.

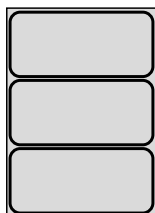


varimed®
Drawer dividers
Polystyrene tray with fixed compartments

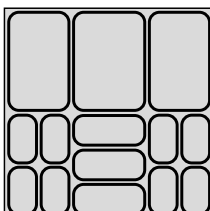
Model No. Description



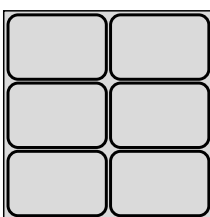
202.8500.0 Drawer divider
 closed tray and 3 compartments made of polystyrene,
 204 × 481 × 70 mm (W x D x H), for drawers type 3 D.



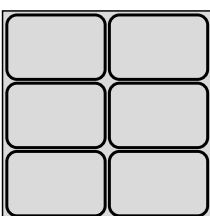
202.8520.0 Drawer divider
 closed tray and 3 compartments made of polystyrene,
 354 × 481 × 70 mm (W x D x H), for drawers type 4 D.



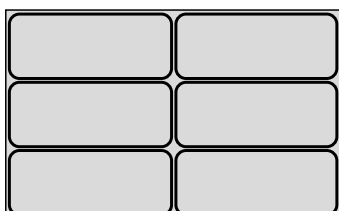
202.8540.0 Drawer divider
 closed tray and 14 compartments made of polystyrene,
 504 × 481 × 44 mm (W x D x H), for drawers type 6 B.



202.8550.0 Drawer divider
 closed tray and 6 compartments made of polystyrene,
 504 × 481 × 44 mm (W x D x H), for drawers type 6 B.



202.8560.0 Drawer divider
 closed tray and 6 compartments made of polystyrene,
 504 × 481 × 70 mm (W x D x H), for drawers type 6 D.



202.8590.0 Drawer divider
 closed tray and 6 compartments made of polystyrene,
 804 × 481 × 70 mm (W x D x H), for drawers type 9 D.

varimed®
Drawer dividers
Aluminium frame w/o bottom

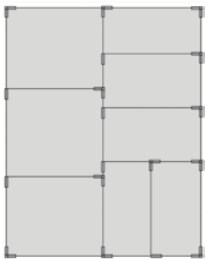
Model No. Description



202.8800.0 Drawer dividers

198 × 476 × 55 mm (W x D x H), for drawer type 3 D, disassembled, anodised aluminium frame, consisting of:

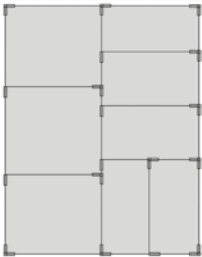
- 2 pcs 2025982 aluminium rails, longitudinal 471 × 55 mm
 - 2 pcs 2025887 aluminium rails, transverse 181 × 55 mm
 - 2 pcs 2025895 connecting clips, SAN 20/35 right
 - 2 pcs 2025896 connecting clips, SAN 20/35 left
- subdividers consisting of:
- 6 pcs 2025887 aluminium rails, transverse 181 × 55 mm
 - 6 pcs 2025895 connecting clips, SAN 20/35 right
 - 6 pcs 2025896 connecting clips, SAN 20/35 left



202.8820.0 Drawer dividers

350 × 476 × 35 mm (W x D x H), for drawer type 4 B, disassembled, anodised aluminium frame, consisting of:

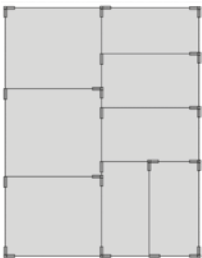
- 2 pcs 2025883 aluminium rails, longitudinal 454 × 35 mm
 - 2 pcs 2025888 aluminium rails, transverse 350 × 35 mm
 - 2 pcs 2025895 connecting clips, SAN 20/35 right
 - 2 pcs 2025896 connecting clips, SAN 20/35 left
- subdividers consisting of:
- 1 pc 2025883 aluminium rail, longitudinal 454 × 35 mm
 - 1 pc 2025895 connecting clip, SAN 20/35 right
 - 1 pc 2025896 connecting clip, SAN 20/35 left
 - 6 pcs 2025902 subdividers, SAN 160 × 35 mm
 - 6 pcs 2025895 connecting clips, SAN 20/35 right



Model No. Description

202.8830.0 Drawer dividers

350 × 476 × 55 mm (W x D x H), for drawer type 4 D, disassembled, anodised aluminium frame, consisting of:
 2 pcs 2025884 aluminium rails, longitudinal 454 × 55 mm
 2 pcs 2025889 aluminium rails, transverse 350 × 55 mm
 2 pcs 2025897 connecting clips, SAN 45/55 right
 2 pcs 2025898 connecting clips, SAN 45/55 left
 subdividers consisting of:
 1 pc 2025884 aluminium rail, longitudinal 454 × 55 mm
 1 pc 2025897 connecting clip, SAN 45/55 right
 1 pc 2025898 connecting clip, SAN 45/55 left
 6 pcs 2025903 subdividers, SAN 160 × 55 mm
 6 pcs 2025895 connecting clips, SAN 20/35 right

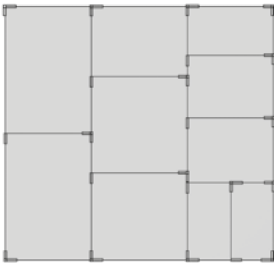


202.8840.0 Drawer dividers

350 × 476 × 100 mm (W x D x H), for drawer type 4 G, disassembled, anodised aluminium frame, consisting of:
 2 pcs 2025885 aluminium rails, longitudinal 454 × 100 mm
 2 pcs 2025890 aluminium rails, transverse 350 × 100 mm
 2 pcs 2025897 connecting clips, SAN 45/55 right
 2 pcs 2025898 connecting clips, SAN 45/55 left
 subdividers consisting of:
 1 pc 2025885 aluminium rail, longitudinal 454 × 100 mm
 1 pc 2025897 connecting clip, SAN 45/55 right
 1 pc 2025898 connecting clip, SAN 45/55 left
 6 pcs 2025904 subdividers, SAN 160 × 100 mm
 6 pcs 2025895 connecting clips, SAN 20/35 right

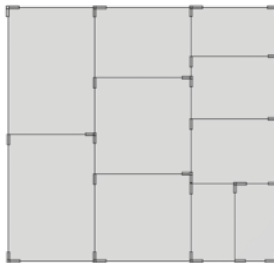
varimed®
Drawer dividers
Aluminium frame w/o bottom

Model No. Description



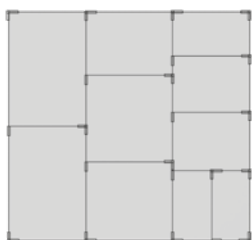
202.8850.0 Drawer dividers

498 × 476 × 35 mm (W x D x H), for drawer type 6 B,
 disassembled, anodised aluminium frame, consisting of:
 2 pcs 2025883 aluminium rails, longitudinal 454 × 35 mm
 2 pcs 2025891 aluminium rails, transverse 498 × 35 mm
 2 pcs 2025895 connecting clips, SAN 20/35 right
 2 pcs 2025896 connecting clips, SAN 20/35 left
 subdividers consisting of:
 2 pcs 2025883 aluminium rails, longitudinal 454 × 35 mm
 2 pcs 2025895 connecting clips, SAN 20/35 right
 2 pcs 2025896 connecting clips, SAN 20/35 left
 7 pcs 2025899 subdividers, SAN 150 × 35 mm
 7 pcs 2025895 connecting clips, SAN 20/35 right



202.8860.0 Drawer dividers

498 × 476 × 55 mm (W x D x H), for drawer type 6 D,
 disassembled, anodised aluminium frame, consisting of:
 2 pcs 2025884 aluminium rails, longitudinal 454 × 55 mm
 2 pcs 2025892 aluminium rails, transverse 498 × 55 mm
 2 pcs 2025897 connecting clips, SAN 45/55 right
 2 pcs 2025898 connecting clips, SAN 45/55 left
 subdividers consisting of:
 2 pcs 2025884 aluminium rails, longitudinal 454 × 55 mm
 2 pcs 2025897 connecting clips, SAN 45/55 right
 2 pcs 2025898 connecting clips, SAN 45/55 left
 7 pcs 2025900 subdividers, SAN 150 × 55 mm
 7 pcs 2025895 connecting clips, SAN 20/35 right



Model No. Description

202.8870.0 Drawer dividers

498 × 476 × 100 mm (W x D x H), for drawer type 6 G, disassembled, anodised aluminium frame, consisting of:
 2 pcs 2025885 aluminium rails, longitudinal 454 × 100 mm
 2 pcs 2025893 aluminium rails, transverse 498 × 100 mm
 2 pcs 2025897 connecting clips, SAN 45/55 right
 2 pcs 2025898 connecting clips, SAN 45/55 left
 subdividers consisting of:
 2 pcs 2025885 aluminium rails, longitudinal 454 × 100 mm
 2 pcs 2025897 connecting clips, SAN 45/55 right
 2 pcs 2025898 connecting clips, SAN 45/55 left
 7 pcs 2025901 subdividers, SAN 150 × 100 mm
 7 pcs 2025895 connecting clips, SAN 20/35 right



202.8880.0 Drawer dividers

798 × 476 × 55 mm (W x D x H), for drawer type 9 D, disassembled, anodised aluminium frame, consisting of:
 2 pcs 2025982 aluminium rails, longitudinal 471 × 55 mm
 2 pcs 2025894 aluminium rails, transverse 781 × 55 mm
 2 pcs 2025897 connecting clips, SAN 45/55 right
 2 pcs 2025898 connecting clips, SAN 45/55 left
 subdividers consisting of:
 3 pcs 2025894 aluminium rails, transverse 781 × 55 mm
 3 pcs 2025897 connecting clips, SAN 45/55 right
 3 pcs 2025898 connecting clips, SAN 45/55 left
 3 pcs 2025905 subdividers, SAN 170 × 55 mm
 3 pcs 2025895 connecting clips, SAN 20/35 right

varimed®
Drawer dividers
Aluminium frame w/o bottom



Model No. Description

202.8982.0 Drawer dividers

798 × 476 × 100 mm (W x D x H), for drawer type 9G,
 disassembled, anodised aluminium frame, consisting of:
 2 pcs aluminium rails, longitudinal 471 × 100 mm
 2 pcs 2043270 aluminium rails, transverse 781 × 100 mm
 2 pcs 2025897 connecting clips, SAN 45/55 right
 2 pcs 2025898 connecting clips, SAN 45/55 left
 subdividers consisting of:
 3 pcs 2043270 aluminium rails, transverse 781 × 100 mm
 3 pcs 2025897 connecting clips, SAN 45/55 right
 3 pcs 2025898 connecting clips, SAN 45/55 left
 3 pcs 2043271 subdividers, SAN 170 × 100 mm
 3 pcs 2025895 connecting clips, SAN 20/35 right



202.8981.0 Drawer dividers

798 × 476 × 35 mm (W x D x H), for drawer type 9B,
 disassembled, anodised aluminium frame, consisting of:
 2 pcs aluminium rails, longitudinal 471 × 35 mm
 2 pcs aluminium rails, transverse 781 × 35 mm
 2 pcs 2025895 connecting clips, SAN 20/35 right
 2 pcs 2025896 connecting clips, SAN 20/35 left
 subdividers consisting of:
 3 pcs aluminium rails, longitudinal 781 × 35 mm
 3 pcs 2025895 connecting clips, SAN 20/35 right
 3 pcs 2025896 connecting clips, SAN 20/35 left

varimed® Drawer dividers, Acrylic tray

Model No. Description



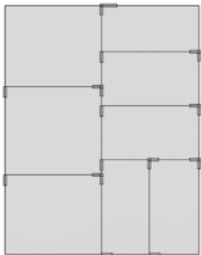
202.8900.0 Drawer dividers

195 × 470 × 55 mm (W x D x H), for drawer type 3 D,
consisting of:

1 pc 2026024 acrylic tray

6 pcs 2025906 subdividers, SAN 176 × 55 mm

6 pcs 2025895 connecting clips, SAN 20/35 right



202.8920.0 Drawer dividers

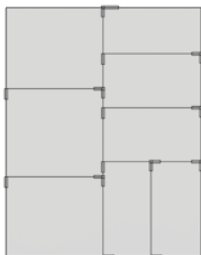
347 × 471 × 35 mm (W x D x H), for drawer type 4 B,
consisting of:

1 pc 2026025 acrylic tray

1 pc 2025907 subdivider, SAN 446 × 35 mm

6 pcs 2025902 subdividers, SAN 160 × 35 mm

7 pcs 2025895 connecting clips, SAN 20/35 right



202.8930.0 Drawer dividers

347 × 471 × 55 mm (W x D x H), for drawer type 4 D,
consisting of:

1 pc 2026026 acrylic tray

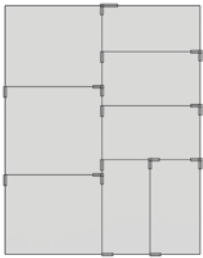
1 pc 2025908 subdivider, SAN 446 × 55 mm

6 pcs 2025903 subdividers, SAN 160 × 55 mm

7 pcs 2025895 connecting clips, SAN 20/35 right

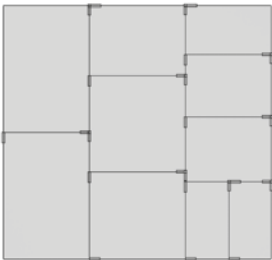
varimed®
Drawer dividers,
Acrylic tray

Model No. Description



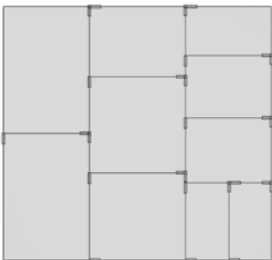
202.8940.0 Drawer dividers

347 × 471 × 100 mm (W x D x H), for drawer type 4 G,
 consisting of:
 1 pc 2026027 acrylic tray
 1 pc 2025909 acrylic subdivider 443 × 100 mm
 1 pc 2025897 connecting clip, SAN 45/55 right
 1 pc 2025898 connecting clip, SAN 45/55 left
 6 pcs 2025904 subdividers, SAN 160 × 100 mm
 6 pcs 2025895 connecting clips, SAN 20/35 right



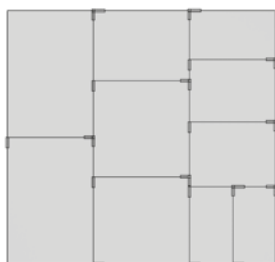
202.8950.0 Drawer dividers

495 × 471 × 35 mm (W x D x H), for drawer type 6 B,
 consisting of:
 1 pc 2026028 acrylic tray
 2 pcs 2025907 subdividers, SAN 446 × 35 mm
 7 pcs 2025899 subdividers, SAN 150 × 35 mm
 9 pcs 2025895 connecting clips, SAN 20/35 right



202.8960.0 Drawer dividers

495 × 471 × 55 mm (W x D x H), for drawer type 6 D,
 consisting of:
 1 pc 2026029 acrylic tray
 2 pcs 2025908 subdividers, SAN 446 × 55 mm
 2 pcs 2025897 connecting clips, SAN 45/55 right
 7 pcs 2025900 subdividers, SAN 150 × 55 mm
 7 pcs 2025895 connecting clips, SAN 20/35 right



Model No. Description

202.8970.0 Drawer dividers

495 × 471 × 100 mm (W x D x H), for drawer type 6 G,
consisting of:

- 1 pc 2026030 acrylic tray
- 2 pcs 2025909 acrylic subdividers 443 × 100 mm
- 2 pcs 2025897 connecting clips, SAN 45/55 right
- 2 pcs 2025898 connecting clips, SAN 45/55 left
- 7 pcs 2025904 subdividers, SAN 160 × 100 mm
- 7 pcs 2025895 connecting clips, SAN 20/35 right

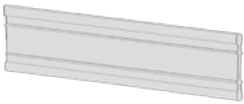


202.8980.0 Drawer dividers

795 × 471 × 55 mm (W x D x H), for drawer type 9 D,
consisting of:

- 1 pc 2026031 acrylic tray
- 3 pcs 2025910 subdividers, PVC 773 × 55 mm
- 3 pcs 2025897 connecting clips, SAN 45/55 right
- 3 pcs 2025898 connecting clips, SAN 45/55 left
- 3 pcs 2025905 subdividers, SAN 170 × 55 mm
- 3 pcs 2025895 connecting clips, SAN 20/35 right

varimed®
Individual components for drawer dividers
with aluminium frame



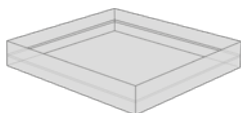
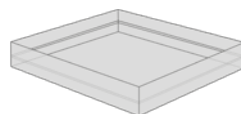
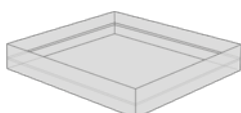
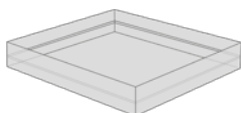
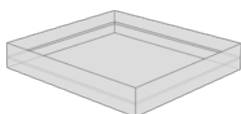
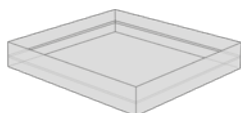
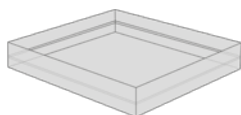
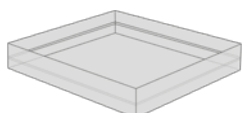
Model No.	Description
2025883	Aluminium rail, longitudinal 454 × 35 mm, 2 pcs
2025884	Aluminium rail, longitudinal 454 × 55 mm, 2 pcs
2025885	Aluminium rail, longitudinal 454 × 100 mm
2025982	Aluminium rail, longitudinal 471 × 55 mm, 2 pcs
2025887	Aluminium rail, transverse 181 × 55 mm, 4 pcs
2025888	Aluminium rail, transverse 350 × 35 mm, 2 pcs
2025889	Aluminium rail, transverse 350 × 55 mm, 2 pcs
2025890	Aluminium rail, transverse 350 × 100 mm
2025891	Aluminium rail, transverse 498 × 35 mm, 2 pcs
2025892	Aluminium rail, transverse 498 × 55 mm, 2 pcs
2025893	Aluminium rail, transverse 498 × 100 mm
2025894	Aluminium rail, transverse 781 × 55 mm
2043270	Aluminium rail, transverse 781 × 100 mm



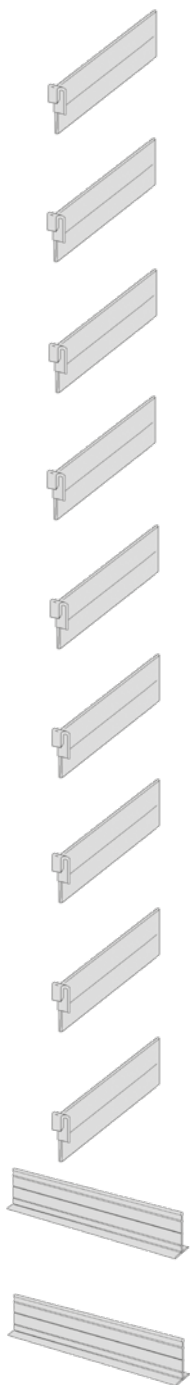
Model No.	Description
2025895	Connecting clip SAN 20/35 right, 5 pcs
2025896	Connecting clip SAN 20/35 left, 5 pcs
2025897	Connecting clip SAN 45/55 right, 5 pcs
2025898	Connecting clip SAN 45/55 left, 5 pcs
2025899	Subdividers SAN 150 × 35 mm, 4 pcs
2025900	Subdividers SAN 150 × 55 mm, 4 pcs
2025901	Subdividers SAN 150 × 100 mm, 2 pcs
2025902	Subdividers SAN 160 × 35 mm, 4 pcs
2025903	Subdividers SAN 160 × 55 mm, 4 pcs
2025904	Subdividers SAN 160 × 100 mm, 2 pcs
2025905	Subdividers SAN 170 × 55 mm, 4 pcs
2043271	Subdividers SAN 170 × 100 mm, 1 pc.

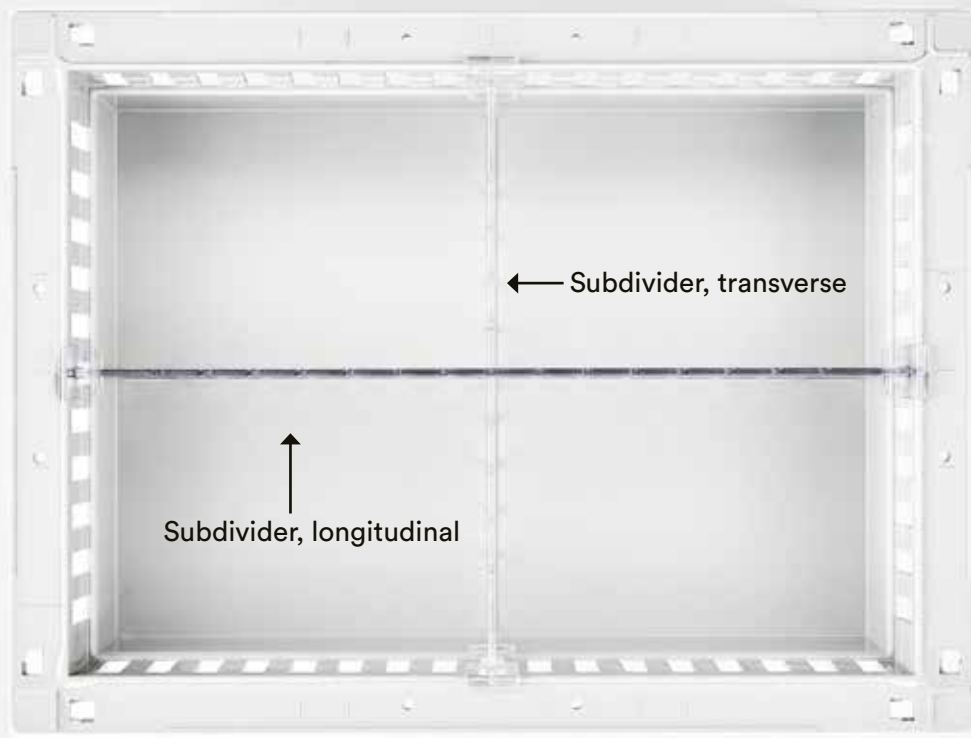
varimed®
Individual components
for dividers with acrylic tray

Model No.	Description
2026024	Acrylic tray for drawer dividers 202.8900.0
2026025	Acrylic tray for drawer dividers 202.8920.0
2026026	Acrylic tray for drawer dividers 202.8930.0
2026027	Acrylic tray for drawer dividers 202.8940.0
2026028	Acrylic tray for drawer dividers 202.8950.0
2026029	Acrylic tray for drawer dividers 202.8960.0
2026030	Acrylic tray for drawer dividers 202.8970.0
2026031	Acrylic tray for drawer dividers 202.8980.0
2025895	Connecting clip SAN 20/35 right, 5 pcs
2025896	Connecting clip SAN 20/35 left, 5 pcs
2025897	Connecting clip SAN 45/55 right, 5 pcs
2025898	Connecting clip SAN 45/55 left, 5 pcs



Model No.	Description
2025899	Subdividers SAN 150 × 35 mm, 4 pcs
2025900	Subdividers SAN 150 × 55 mm, 4 pcs
2025902	Subdividers SAN 160 × 35 mm, 4 pcs
2025903	Subdividers SAN 160 × 55 mm, 4 pcs
2025904	Subdividers SAN 160 × 100 mm, 2 pcs
2025905	Subdividers SAN 170 × 55 mm, 4 pcs
2025906	Subdividers SAN 176 × 55 mm, 2 pcs
2025907	Subdividers SAN 446 × 35 mm, 2 pcs
2025908	Subdividers SAN 446 × 55 mm, 2 pcs
2025909	Acrylic subdividers 443 × 100 mm, 2 pcs
2025910	Subdivider PVC 773 × 55 mm

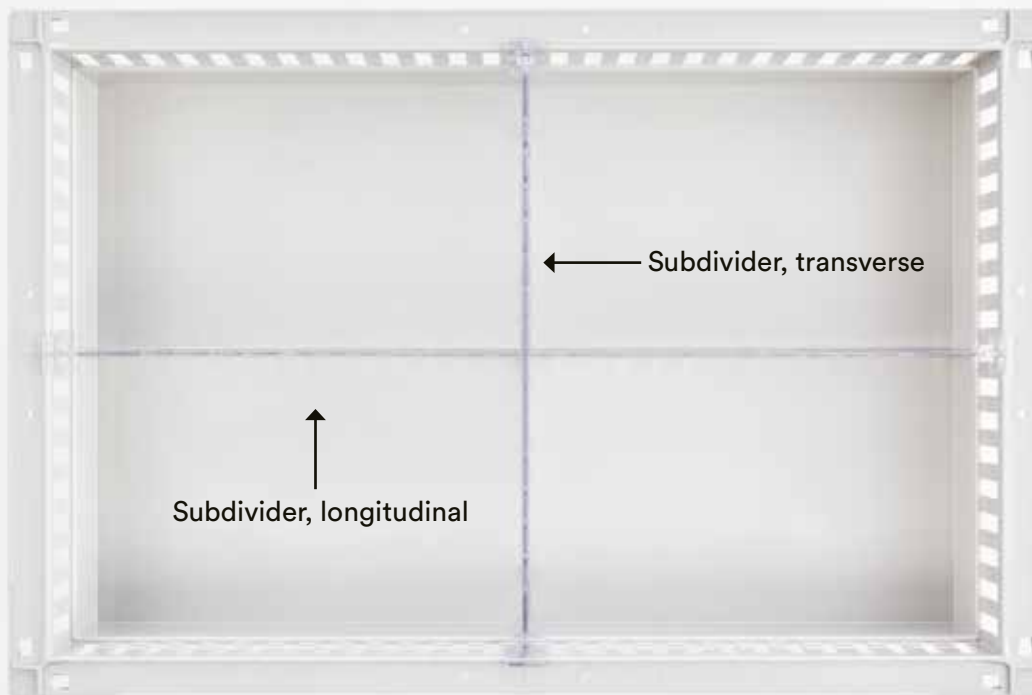




Dividers for half-size ISO modules:

Subdividers, transverse: 202.0048.0/202.0051.0/202.0054.0 for 50 mm/100 mm/200 mm high modules

Subdividers, longitudinal: 204.5210.0/204.5260.0/204.5310.0 for 50 mm/100 mm/200 mm high modules



Dividers for full-size ISO modules:

Subdividers, transverse: 204.5210.0/204.5260.0/204.5310.0 for 50 mm/100 mm/200 mm high modules

Subdividers, longitudinal: 204.5360.0/204.5410.0/204.5460.0 for 50 mm/100 mm/200 mm high modules

varimed® Modules for ISO trolleys

Model No.	Description
	204.1260.0 Module FlexModul made of ABS ¹ , grey, 600 × 400 × 50 mm (W x D x H) for drawers with a minimum height of 50 mm.
	204.1270.0 Module FlexModul made of PC ² , 600 × 400 × 50 mm (W x D x H) for drawers with a minimum height of 50 mm.
	202.0028.0 Half-size module FlexModul (w/o ill.) made of ABS ¹ , grey, 300 × 400 × 50 mm (W x D x H), for drawers min. 50 mm high.
	202.0046.0 Half-size module FlexModul (w/o ill.) made of PC ² , 300 × 400 × 50 mm (W x D x H), for drawers min. 50 mm high.
	204.5210.0 FlexModul subdivider, transverse made of PC ² , 400 × 50 mm.
	204.5360.0 FlexModul subdivider, longitudinal made of PC ² , 600 × 50 mm.
	202.0048.0 FlexModul subdivider, transverse (w/o ill.) made of PC ² , 300 × 50 mm, for half-size ISO modules.

varimed® Modules for ISO trolleys

Model No. Description



204.1310.0 Module FlexModul
made of ABS¹, grey, 600 × 400 × 100 mm (W x D x H)
for drawers with a minimum height of 100 mm.



204.1320.0 Module FlexModul
made of PC², 600 × 400 × 100 mm (W x D x H)
for drawers with a minimum height of 100 mm.



202.0029.0 Half-size module FlexModul
made of ABS¹, grey, 300 × 400 × 100 mm (W x D x H),
for drawers min. 100 mm high.



202.0049.0 Half-size module FlexModul
made of PC², 300 × 400 × 100 mm (W x D x H),
for drawers min. 100 mm high.



204.5260.0 FlexModul subdivider, transverse
made of PC², 400 × 100 mm.



204.5410.0 FlexModul subdivider, longitudinal
made of PC², 600 × 100 mm.

202.0051.0 FlexModul subdivider, transverse
(w/o ill.) made of PC, 300 × 100 mm, for half-size ISO modules.

¹ **ABS acrylonitrile-butadiene-styrene**

Material properties: scratch-resistant

Temperature tolerance: -30 °C to +85 °C

Chemical resistance: good resistance to petrol, bases and lubricants,
partially resistant to alcohols and acids



Model No. Description

204.1360.0 Module FlexModul
made of ABS¹, grey, 600 × 400 × 200 mm (W x D x H)
for drawers with a minimum height of 200 mm.



204.1370.0 Module FlexModul
made of PC², 600 × 400 × 200 mm (W x D x H)
for drawers with a minimum height of 200 mm.

202.0031.0 Half-size module FlexModul
(w/o ill.) made of ABS¹, grey, 300 × 400 × 200 mm (W x D x H),
for drawers min. 200 mm high.

202.0052.0 Half-size module FlexModul
(w/o ill.) made of PC², 300 × 400 × 200 mm (W x D x H),
for drawers min. 200 mm high.



204.5310.0 FlexModul subdivider, transverse
made of PC², 400 × 200 mm.



204.5460.0 FlexModul subdivider, longitudinal
made of PC², 600 × 200 mm.

202.0054.0 FlexModul subdivider, transverse
(w/o ill.) made of PC², 300 × 200 mm, for half-size ISO modules.

² PC Polycarbonate

Material properties:

extremely high impact resistance, high stability and temperature resistance

Temperature tolerance: -90 °C to +125 °C

Temperature resistance: long-term max. +125 °C, short-term max. +140 °C

Chemical resistance:

good resistance to weak acids, partially resistant to alcohols and lubricants



varimed® Modules for ISO trolleys

Model No.	Description
-----------	-------------



202.0032.0	Support bar for half-size modules Divides a drawer for full-size ISO modules into a drawer for two half-size ISO modules; can be retrofitted.
-------------------	---

202.0082.0 (w/o ill.)	ABS side panels with rails Set of ABS side panels with rails for ISO trolley 260.0038.0
---------------------------------	---

202.0086.0 (w/o ill.)	ABS side panels with rails Set of ABS side panels with rails for ISO trolley 260.0037.0
---------------------------------	---



202.0072.0	Stops for full-size ISO modules (pair) For use with full-size ISO modules in ISO trolleys with rail walls 260.0037.0 and 260.0038.0; holds the full module at two different angles when it is pulled out. The module can be filled or emptied without being removed. One pair of stops is needed for each module. Can only be used with ISO modules from SCHMITZ!
-------------------	---



varimed® Functional and ISO trolleys / IT solutions

The new SCHMITZ IT solutions for functional and ISO trolleys – always flexible and cutting edge

Combining quality and innovation

The SCHMITZ quality you are accustomed to for functional and ISO trolleys, combined with innovative solutions for today's challenges. These are our answers to the increasing digitalisation in hospitals and practices.

Versatile solutions that meet your needs

Choose from three different IT solutions! Two functional trolleys and one ISO trolley configured for each of the following:

- All-in-one PC
(with computer integrated in monitor)
- Built-in PC
(classical solution with separate computer and monitor)
- Laptop

For more information about the components for each solution and about the functional and ISO trolley models that can be fitted with them, see the following pages.



Important!

All of the following configurations for IT solutions involve only the configuration of a functional or ISO trolley to accommodate IT equipment.

None of the monitors, computers, batteries or other IT equipment illustrated come with the product.

No limits!

Our functional and ISO trolleys can also be used normally when fitted with an IT solution. The monitor bracket is fastened to the rear of the trolley, leaving the top surface entirely free for use. The configuration of the drawers can also be adapted to your needs.

Please also refer to the simple two-page illustration on pages 154/155.



Dressing and treatment trolley (IT) 260.0043.0 with accessories
202.0079.0, 202.0062.0, 202.7560.1, 202.0020.0, 202.0076.0 and 202.3000.0



Dressing and treatment trolley (IT) 260.0043.0 with accessories
202.0080.0, 202.0062.0, 202.0085.0, 202.7560.1, 202.0020.0, 202.0076.0 and 3 × 202.3000.0

varimed® Functional and ISO trolleys / IT solutions

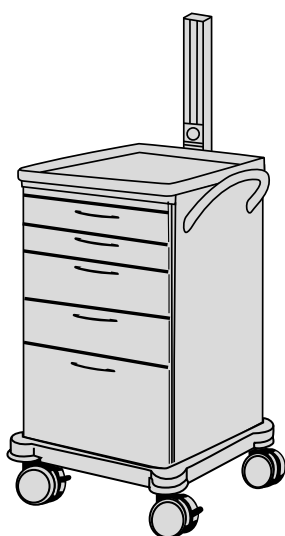
Model No.	Description
-----------	-------------



260.0049.0	<p>ISO trolley (IT) with 3 drawers for modules of max. 50 mm height, 2 drawers for modules of max. 100 mm height and 1 drawer for modules of max. 200 mm height. 4 closed double castors Ø 125 mm, plastic, ball bearing, 2 of which electroconductive, 2 full lock-type castors, and 1 with directional locking, silver grey frame cover with revolving bumpers, plastic top (silver grey) with profile edge, guiding bar. With mounting tube for mounting a laptop or monitor. Overall height 1070 mm (without monitor holder), body width 720 mm.</p> <p>Modules not included.</p>
-------------------	---



260.0043.0	<p>Dressing and treatment trolley (IT) with 2 drawers type 6B, 2 drawers type 6D, 1 drawer type 6G. 4 closed double castors Ø 125 mm, plastic, ball bearing, 2 of which electroconductive, 2 full lock-type castors, and 1 with directional locking, silver grey frame cover with revolving bumpers, plastic top (silver grey) with profile edge, guiding bar. With mounting tube for mounting a laptop or monitor. Overall height 1010 mm (without monitor holder), body width 600 mm.</p>
-------------------	--



Model No. Description

260.0046.0 Dressing and treatment trolley (IT)

with 2 drawers type 4B, 2 drawers type 4D, 1 drawer type 4G. 4 closed double castors Ø 125 mm, plastic, ball bearing, 2 of which electroconductive, 2 full lock-type castors, and 1 with directional locking, silver grey frame cover with revolving bumpers, plastic top (silver grey) with profile edge, guiding bar. With mounting tube for mounting a laptop or monitor. Overall height 1010 mm (without monitor holder), body width 450 mm.



Important!

Each of the three functional or ISO trolleys shown on these two pages is configured for the installation of an IT solution.

The scope of the configuration can vary with the selected IT solution. You will find more detailed information on the following pages.



The trolley must be fitted out with IT equipment installed by the end user, your specialist trade partner or an IT service provider.

varimed®
Functional and ISO trolleys / IT solutions
The SCHMITZ IT solutions at a glance!

Model No. Description



202.0078.0 Laptop configuration

Configures a functional or ISO trolley to accommodate a laptop. Includes a mounting tube for attachment of the bracket, fastened on the rear side; bracket with laptop tray, height adjustment range of approx. 230 mm, maximum load 10 kg, tiltable approx. 25°, with hole for theft prevention, adjustable approx. 400 mm to right and left. Laptop tray dimensions: 400 mm x 288 mm.

Suitable for trolley models 260.0043.0, 260.0046.0 and 260.0049.0.

202.0079.0 All-in-one PC configuration

Includes a monitor bracket fastened to the rear side. Maximum load for monitor bracket 11.3 kg, tiltable, with VESA-standard 75 mm x 75 mm and 100 mm x 100 mm mount.

Suitable for trolley models 260.0043.0, 260.0046.0 and 260.0049.0.





Fig. with 202.0062.0
and 202.0085.0

Model No.	Description
-----------	-------------

202.0080.0	Built-in PC configuration
-------------------	----------------------------------

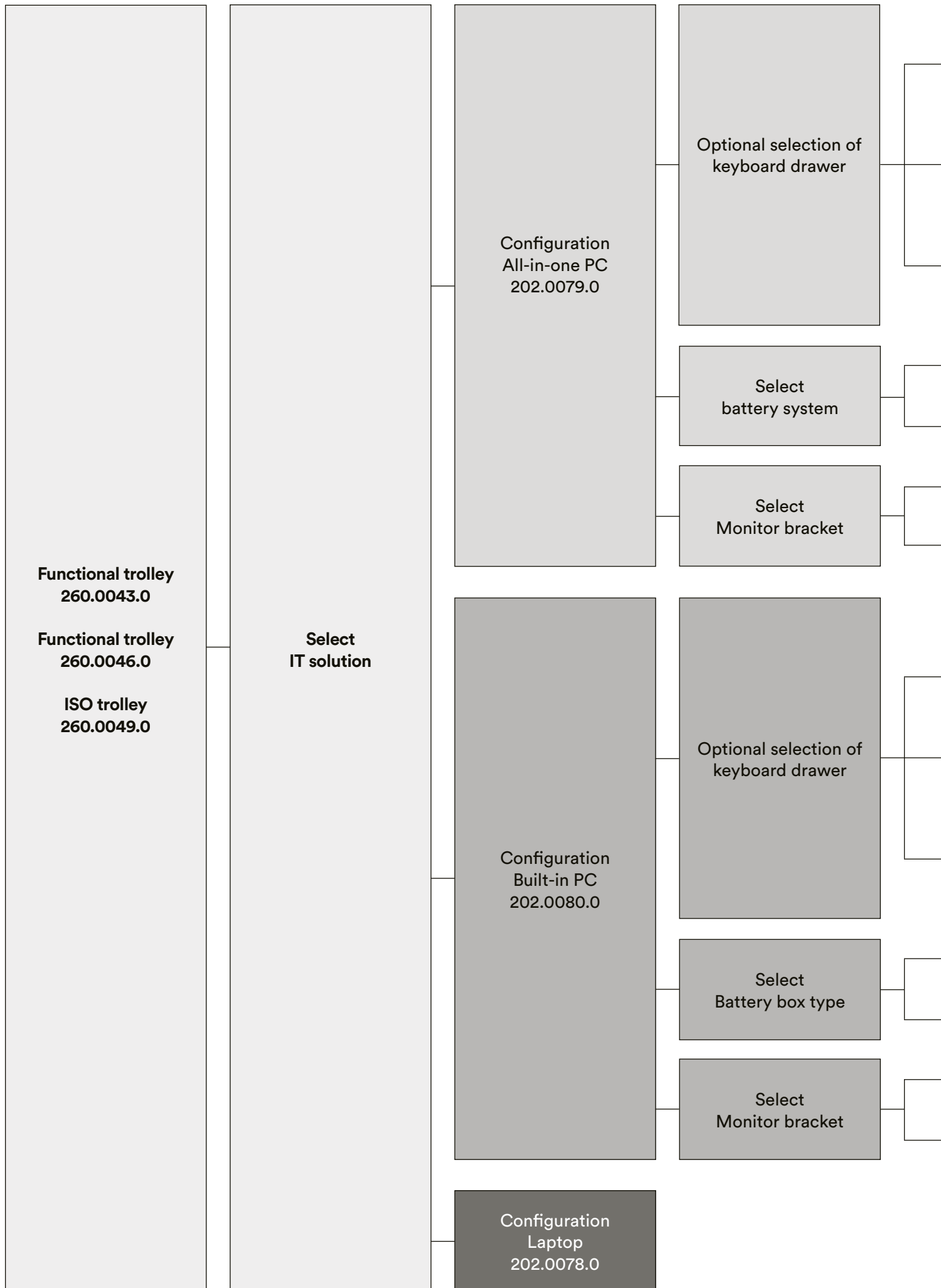
	Includes a monitor bracket fastened to the rear side. Maximum load for monitor bracket 11.3 kg, tiltable, with VESA-standard 75 mm x 75 mm and 100 mm x 100 mm mount. Configured for battery holder under the trolley. Suitable for trolley models 260.0043.0, 260.0046.0 and 260.0049.0.
--	--



Note:

The configuration of the bottom drawer of the functional or ISO trolley will change as a result of the space required for the built-in PC. For ISO trolleys, the drawer 200 mm high is replaced by a drawer and a panel, each 100 mm high. For functional trolleys, the type G drawer is replaced by two type D drawers, the lowest of which has a reduced depth.

Fig. with 202.0062.0
and 202.0085.0



Simple version
202.0083.0
202.0084.0
202.0085.0
(depending on trolley type, see item description)

none

Ergonomic IT drawer
202.0063.0
202.0074.0
202.0075.0
(depending on trolley type, see item description)

none

Select
Battery box type

202.0076.0 Battery box from Lean

Integrated battery

202.0081.0 Multibox battery box

Fixed version (standard)

Height adjustable version 202.0062.0

Simple version
202.0083.0
202.0084.0
202.0085.0
(depending on trolley type, see item description)

none

Comfort version
202.0063.0
202.0074.0
202.0075.0
(depending on trolley type, see item description)

202.0076.0 Battery box from Lean

202.0081.0 Multibox battery box

Fixed version (standard)

Height adjustable version 202.0062.0

varimed® Accessories for IT solutions

Model No. Description



202.0062.0 Monitor bracket, height-adjustable
Aluminium and plastic, fastened to rear. Range of height adjustment approx. 230 mm, bracket can be tilted 35° up or down and swivelled 35° left or right via ball joint.

The bracket is designed for VESA standard
75 mm x 75 mm / 100 mm x 100 mm, maximum
load capacity 15 kg.



202.0083.0 IT drawer for ISO trolley
Fits in the top 50 mm drawer in an ISO trolley,
with insert to accommodate a keyboard and cable
feed-through.

202.0084.0 IT drawer for functional trolley
(w/o ill.) as IT drawer 202.0083.0, however fits functional
trolleys with 450 mm width.

202.0085.0 IT drawer for functional trolley
(w/o ill.) as IT drawer 202.0083.0, however
fits functional trolleys with 600 mm width.



Model No. Description

202.0063.0 Ergonomic IT drawer for ISO trolley
Fits in the top 50 mm drawer in an ISO trolley, with a height-adjustable insert for mouse and keyboard. The keyboard can be raised to the level of the drawer panel for ergonomic use. Drawer secured against accidental closing.

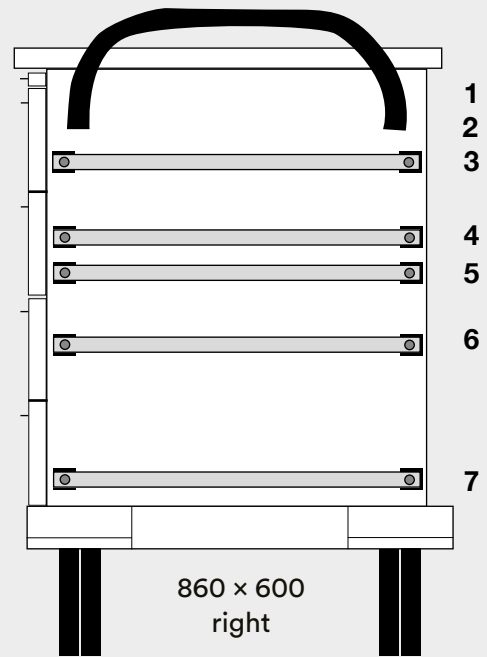
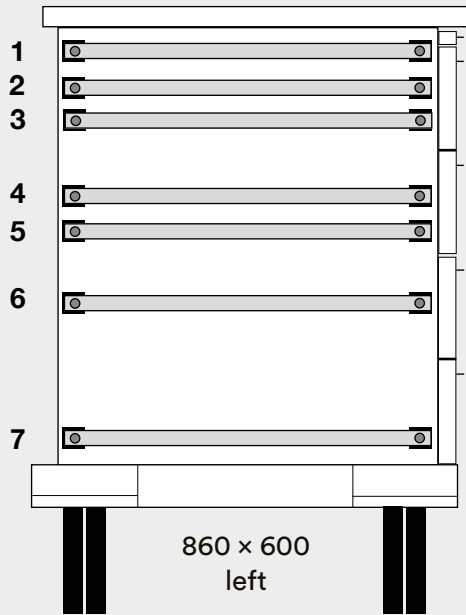
202.0074.0 Ergonomic IT drawer for functional trolley
(w/o ill.) as ergonomic IT drawer 202.0063.0, however fits functional trolleys with 450 mm width, with lateral pull-out mouse tray.

202.0075.0 Ergonomic IT drawer for functional trolley
(w/o ill.) as ergonomic IT drawer 202.0063.0, however fits functional trolleys with 600 mm width.

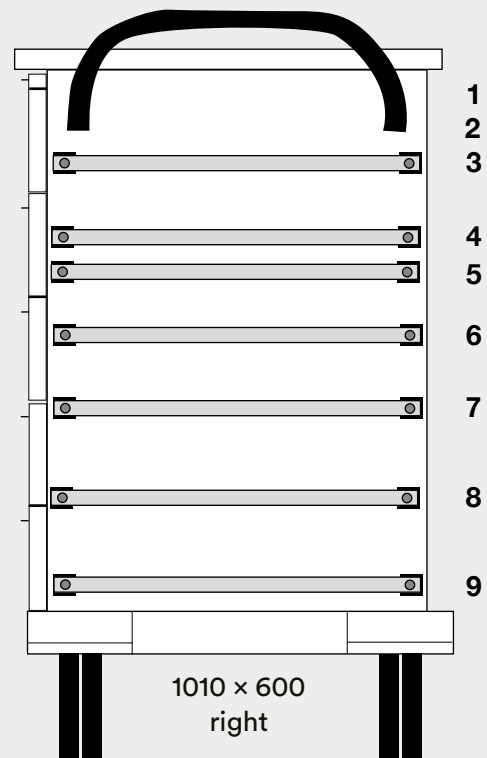
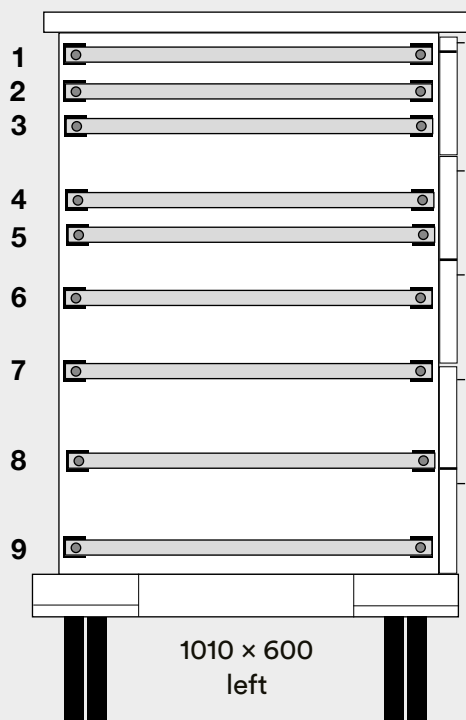
202.0081.0 Multibox battery box
(w/o ill.) Universal battery holder; mounted on underside of functional or ISO trolley. Available space for batteries on a 450 mm wide functional trolley:
255 × 265 × 105 mm (W × D × H);
for all other models: 335 × 265 × 105 mm (W × D × H).



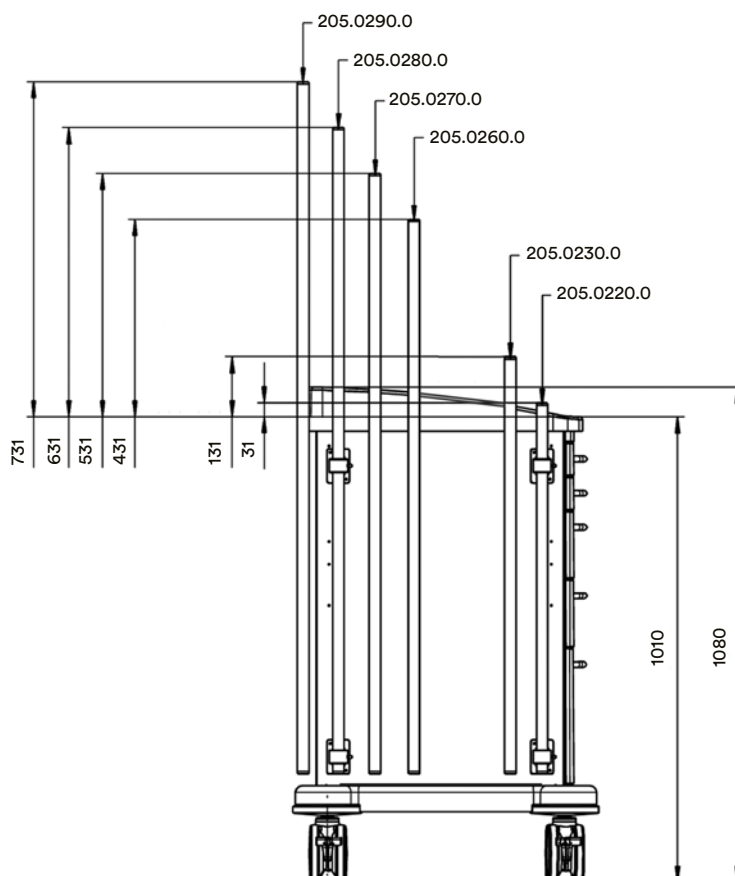
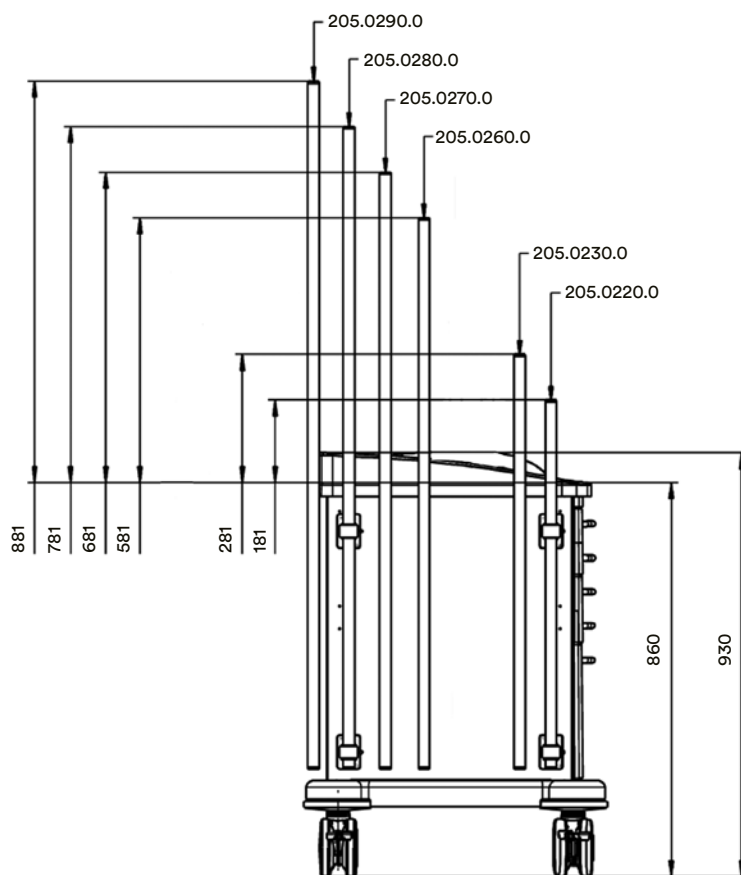
202.0076.0 Preparation for Battery box from Lean
Accommodates batteries from Lean; mounted on underside of functional or ISO trolley.



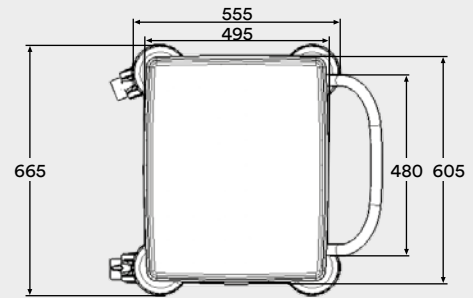
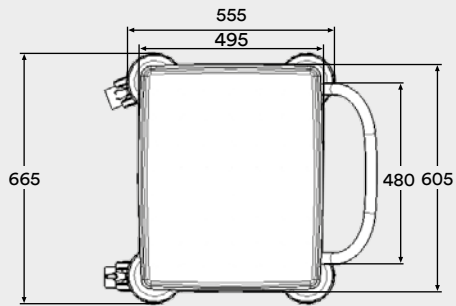
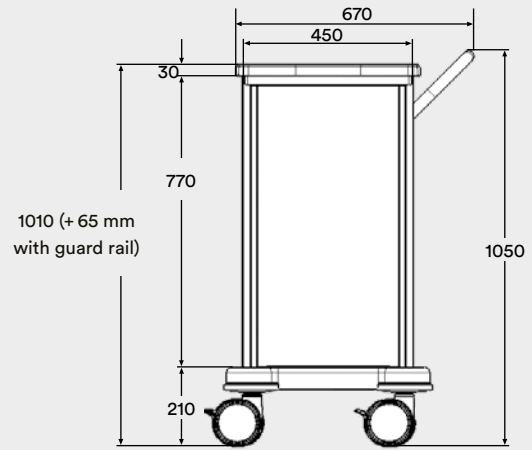
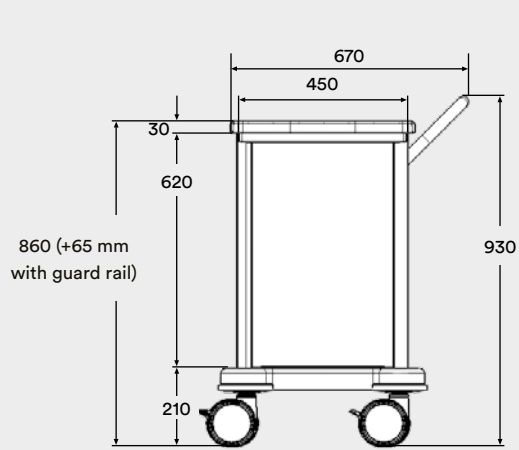
Possible positions of side rails for trolleys of 860 mm height



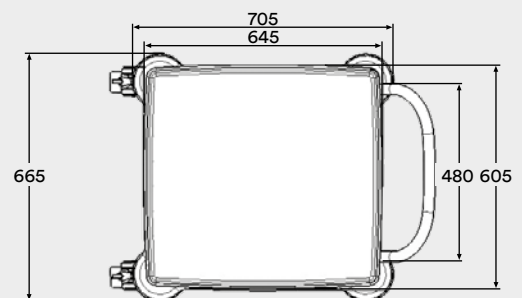
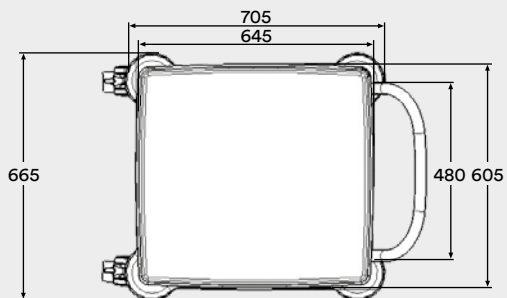
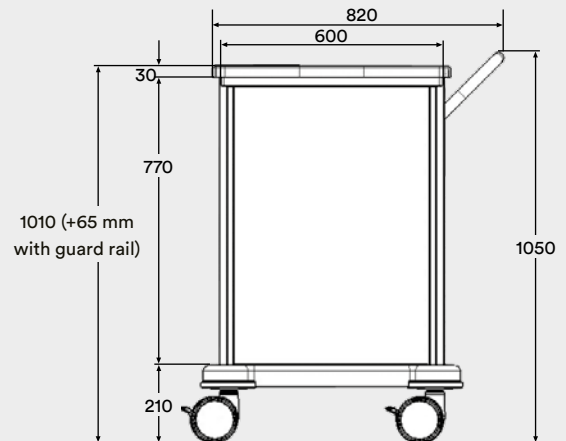
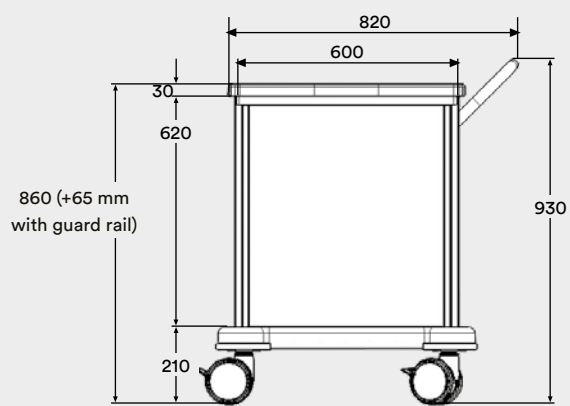
Possible positions of side rails for trolleys of 1,010 mm height



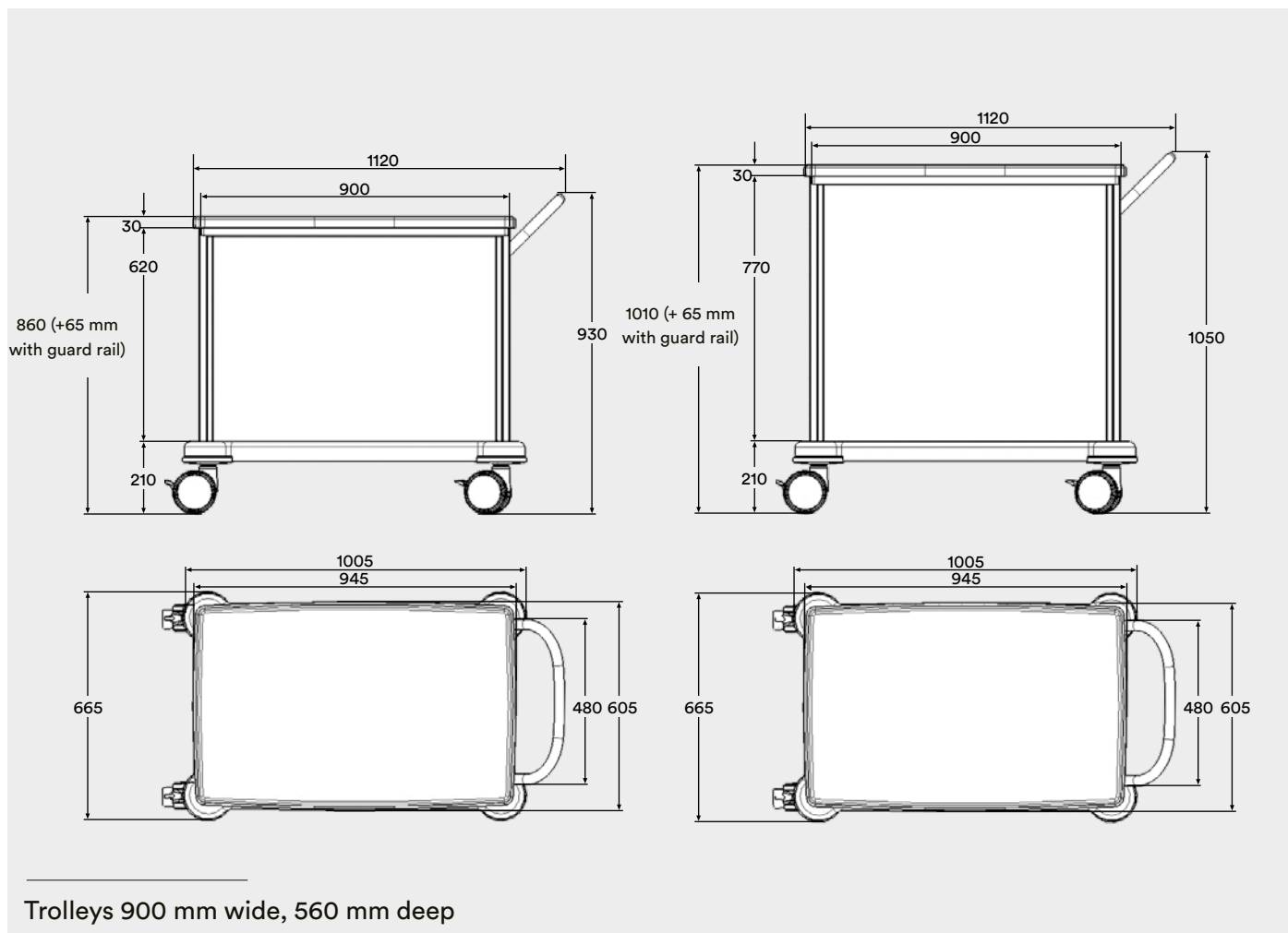
Length of basic tubes in relation to functional trolley height

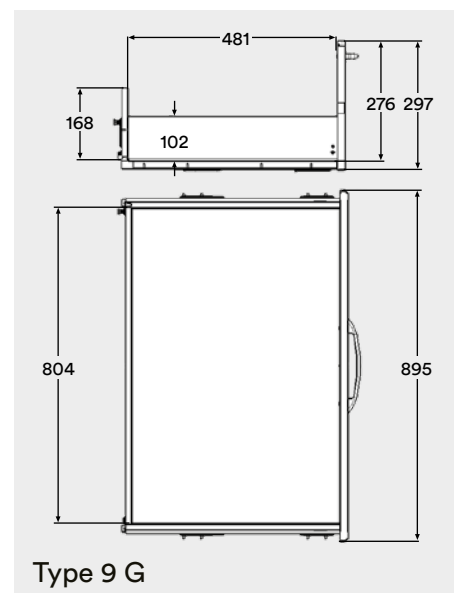
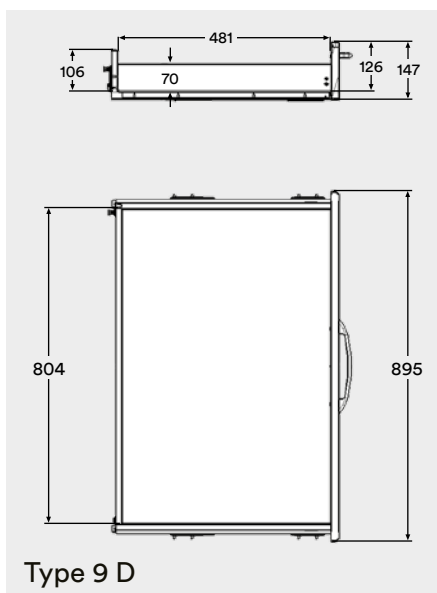
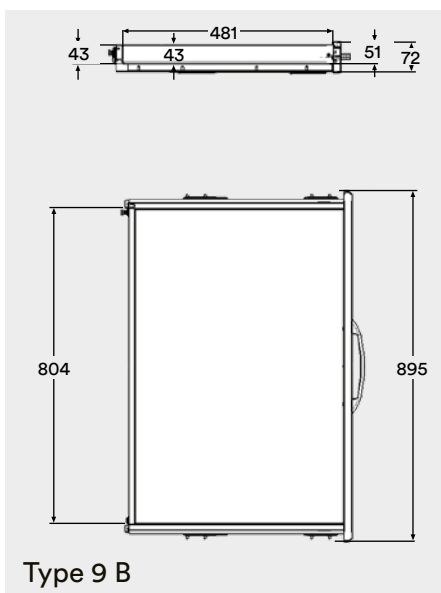
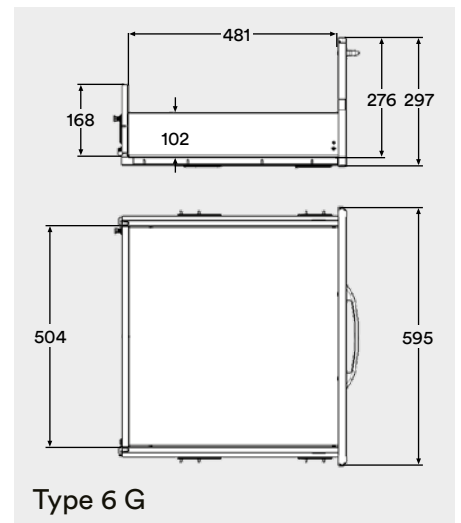
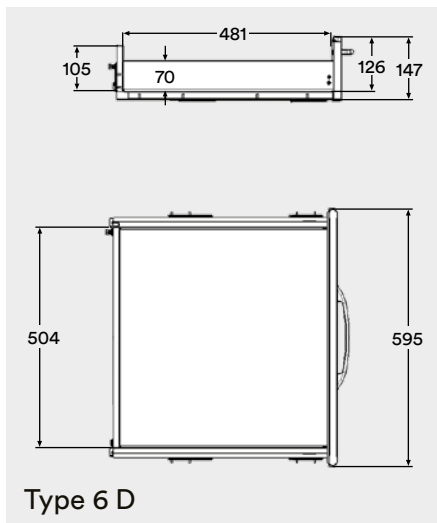
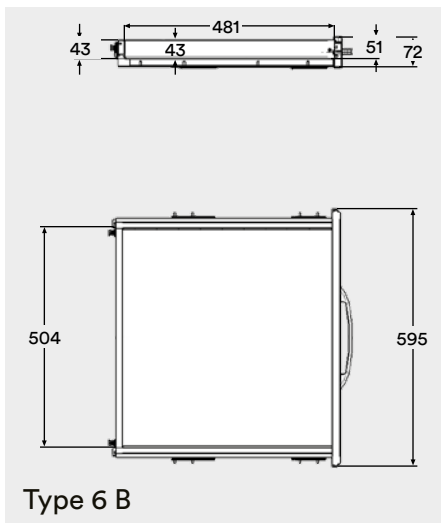
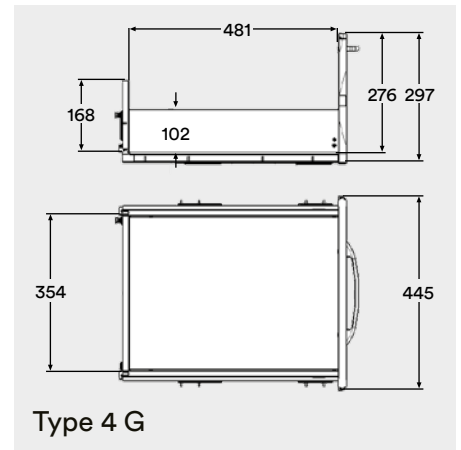
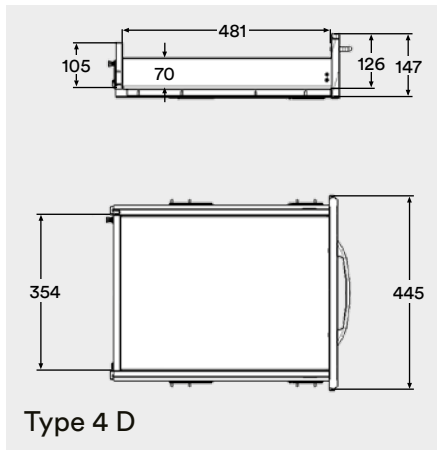
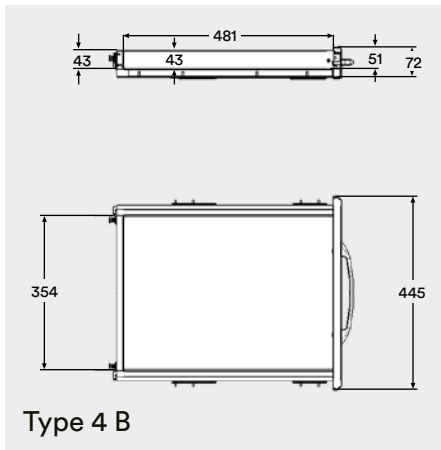
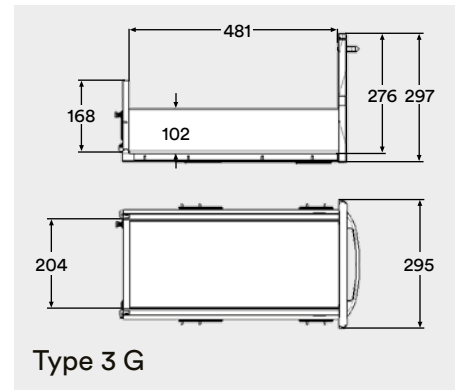
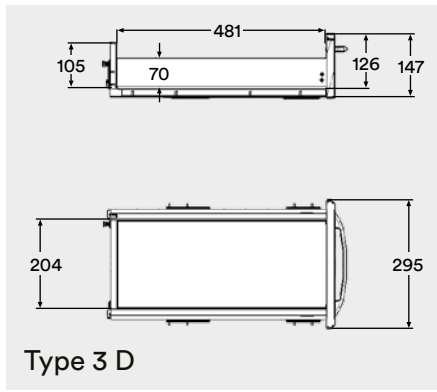


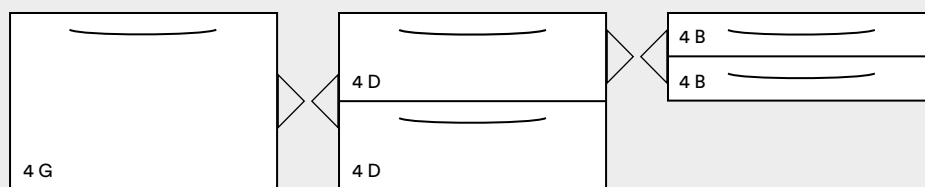
Trolleys 450 mm wide, 560 mm deep



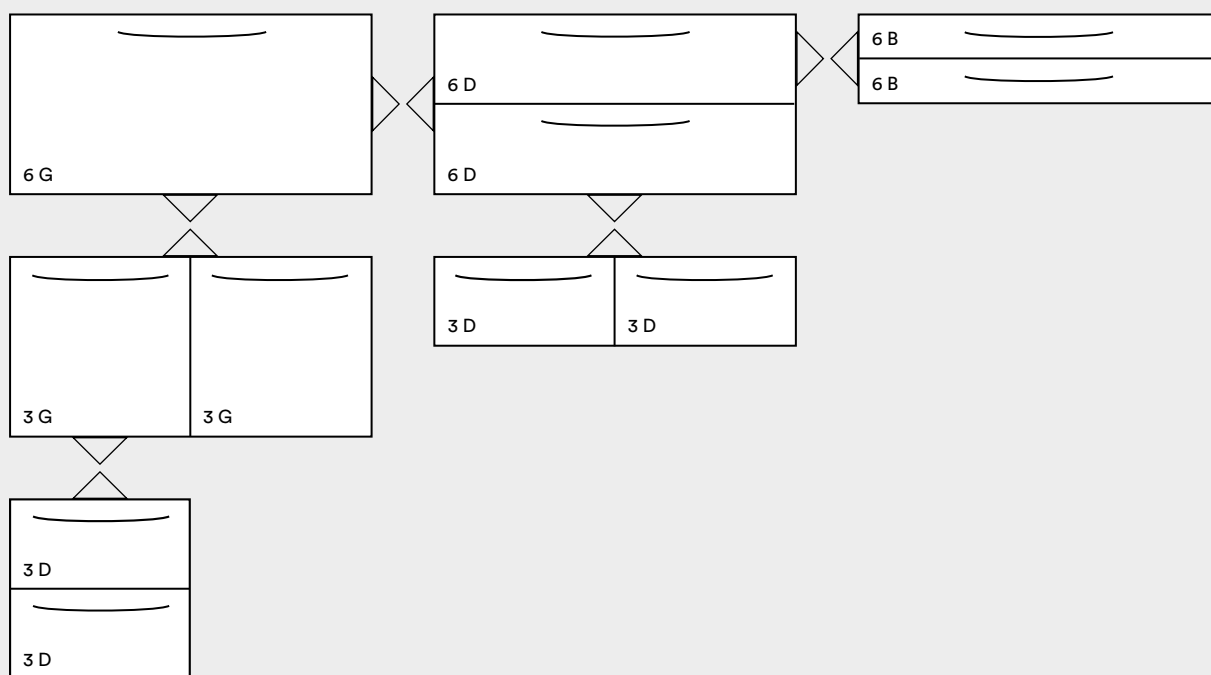
Trolleys 600 mm wide, 560 mm deep



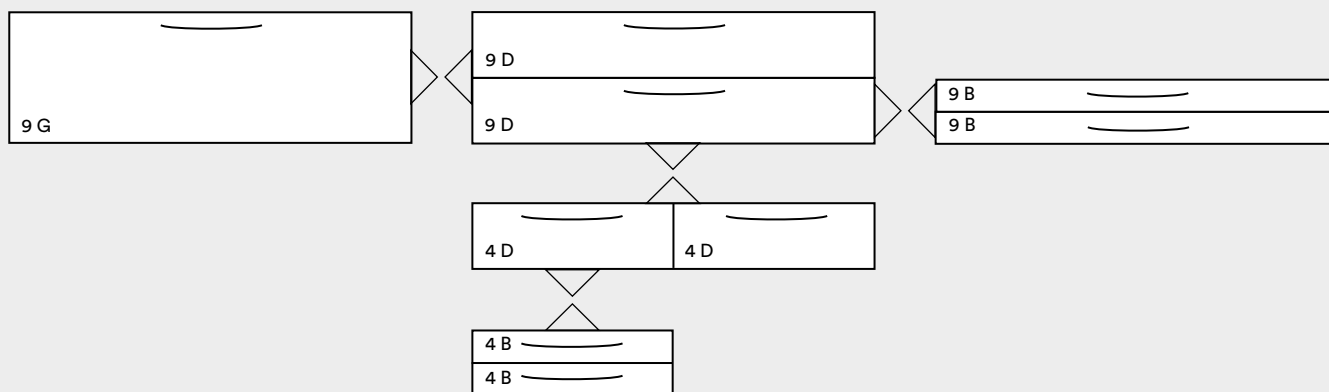




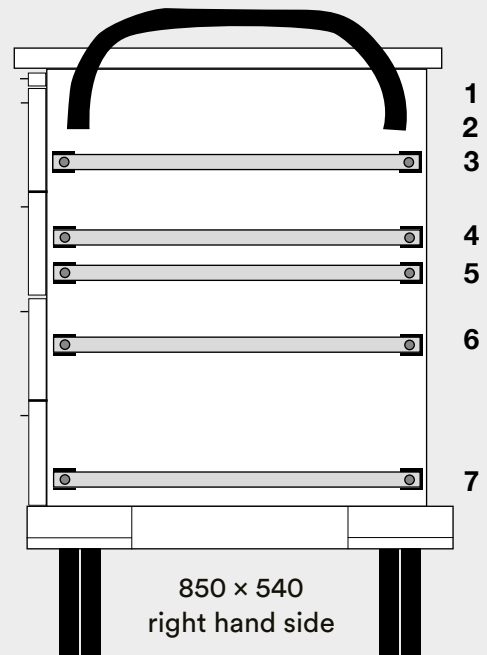
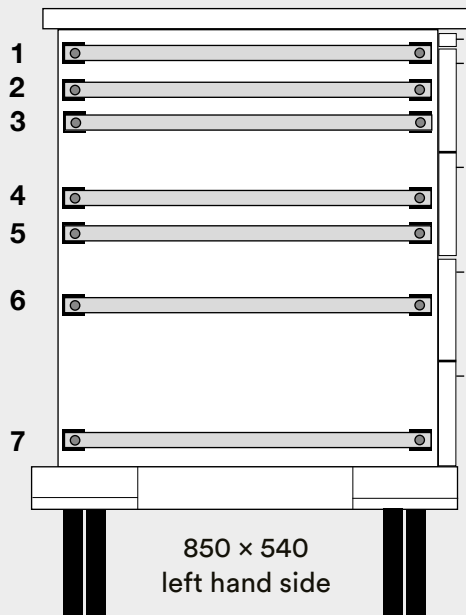
Drawer front Type 4G, 450 mm wide, 300 mm high



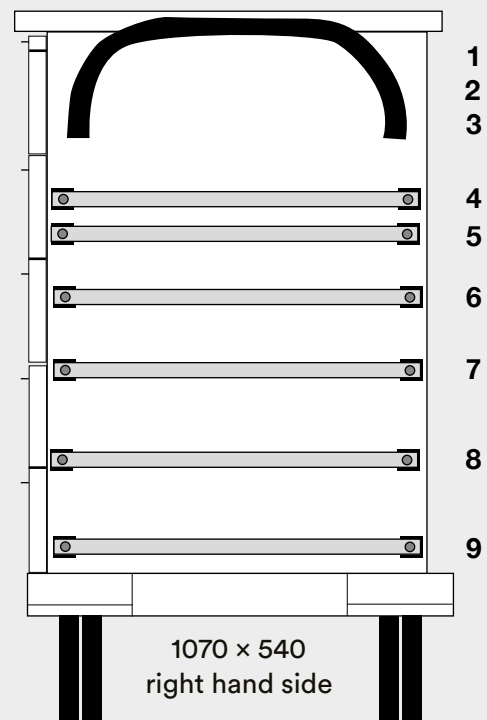
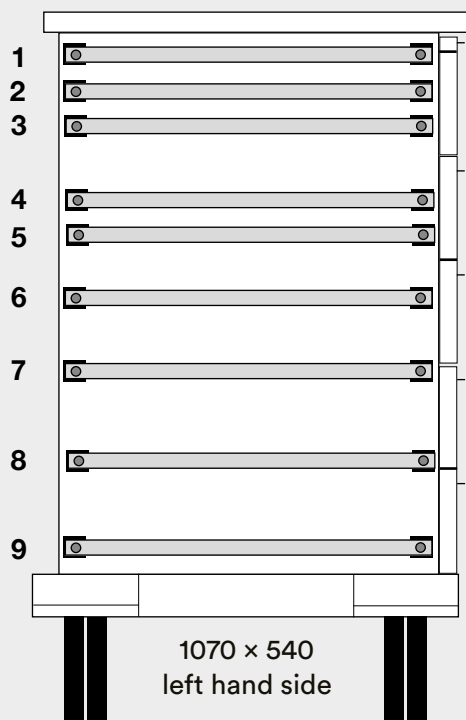
Drawer front Type 6G, 600 mm wide, 300 mm high



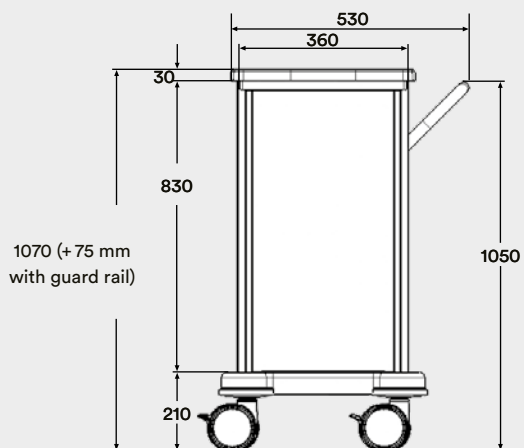
Drawer front Type 9G, 900 mm wide, 300 mm high



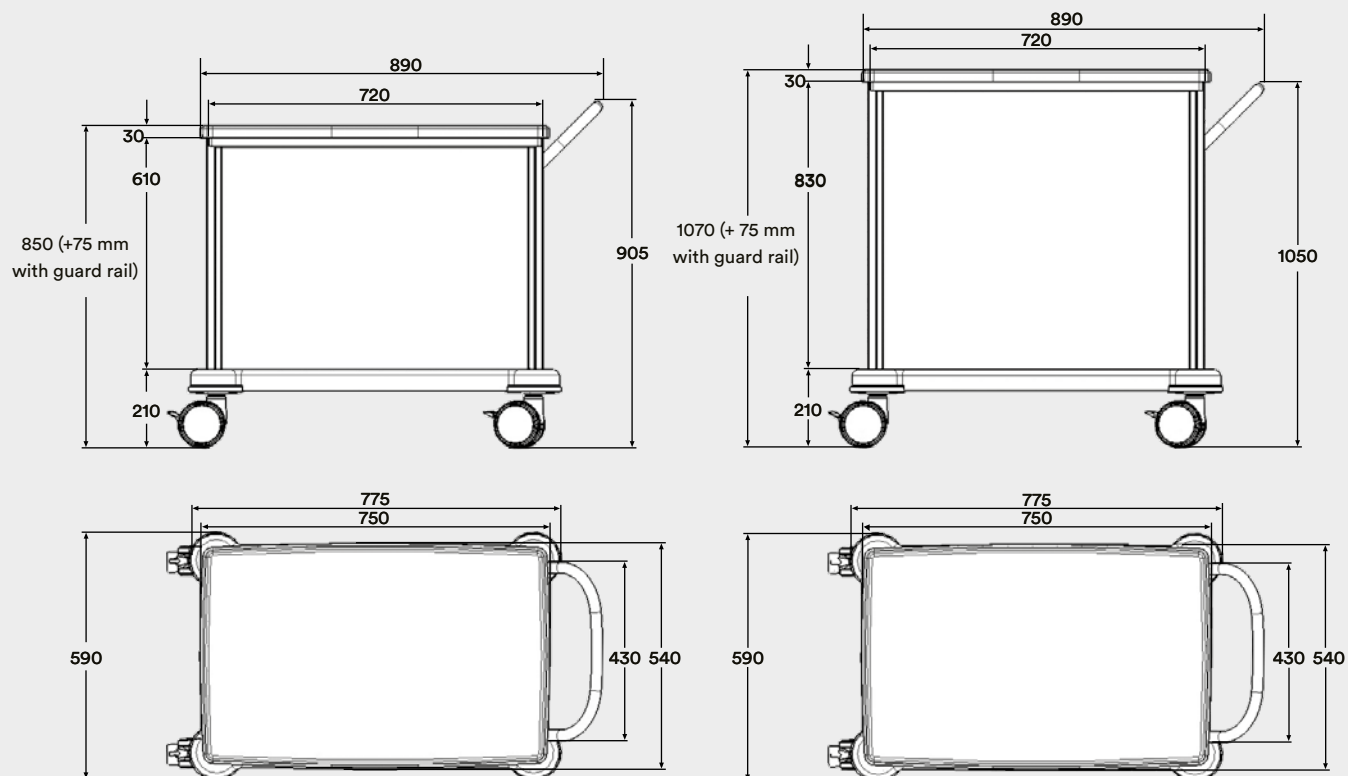
Possible positions of side rails for trolleys of 850 mm height



Possible positions of side rails for trolleys of 1,070 mm height



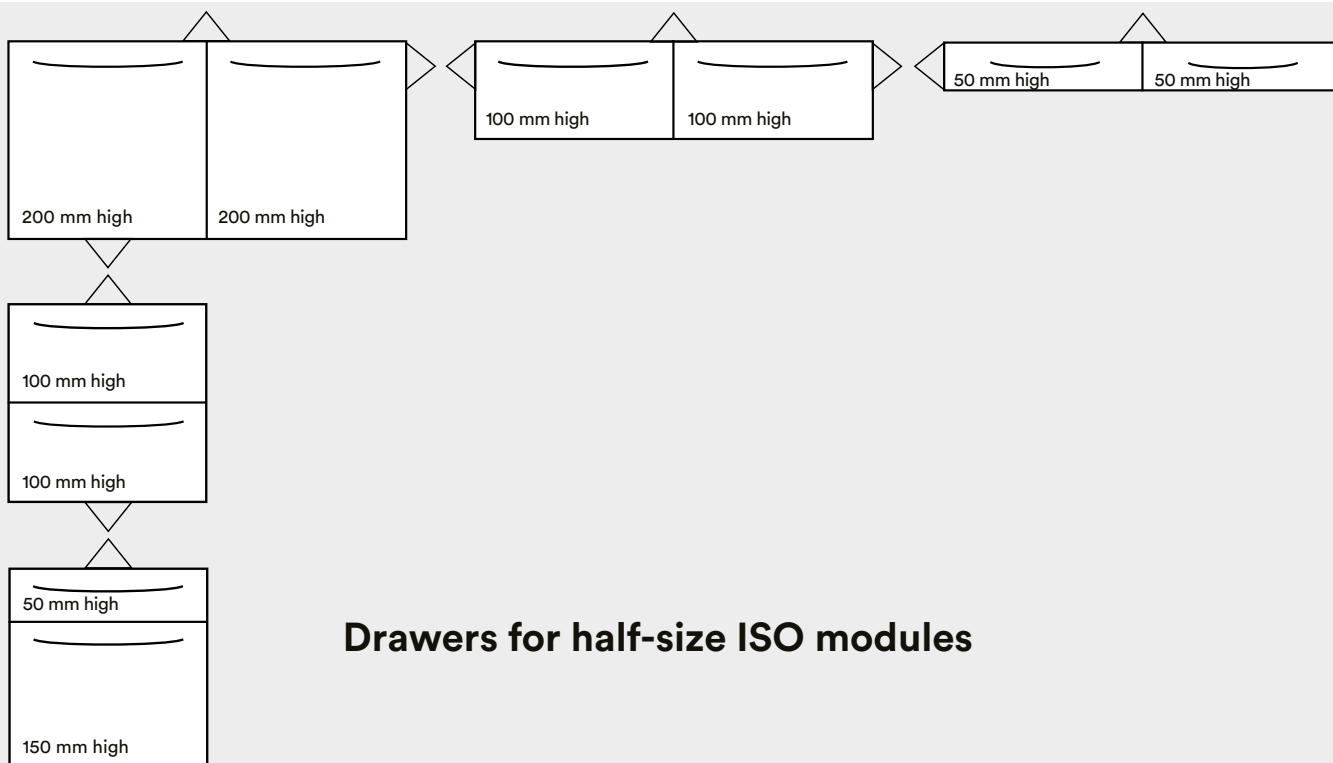
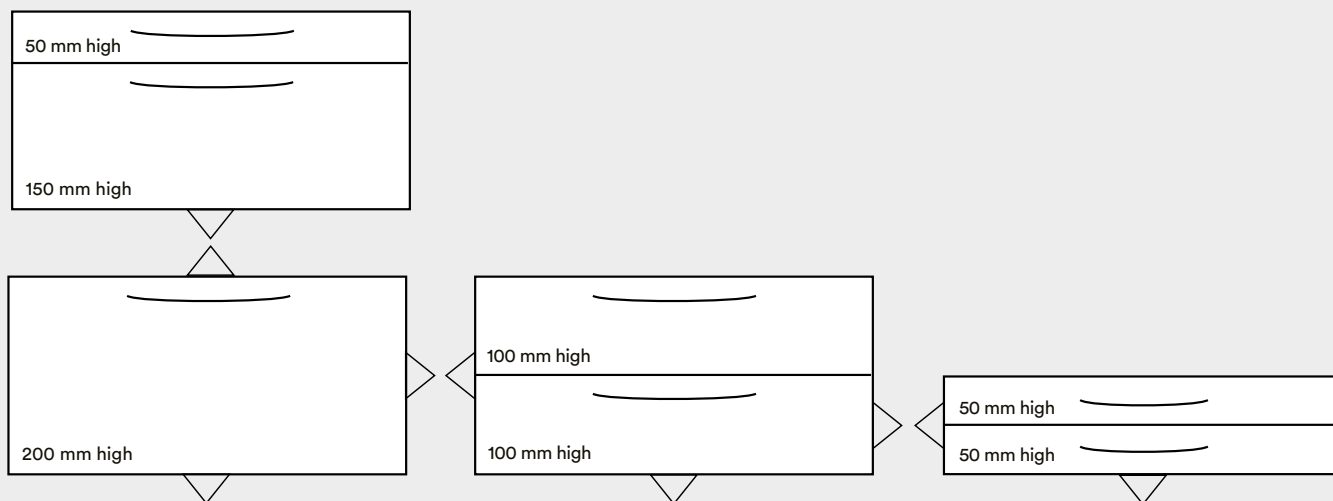
Trolleys 360 mm wide, 540 mm deep



Trolleys 720 mm wide, 540 mm deep

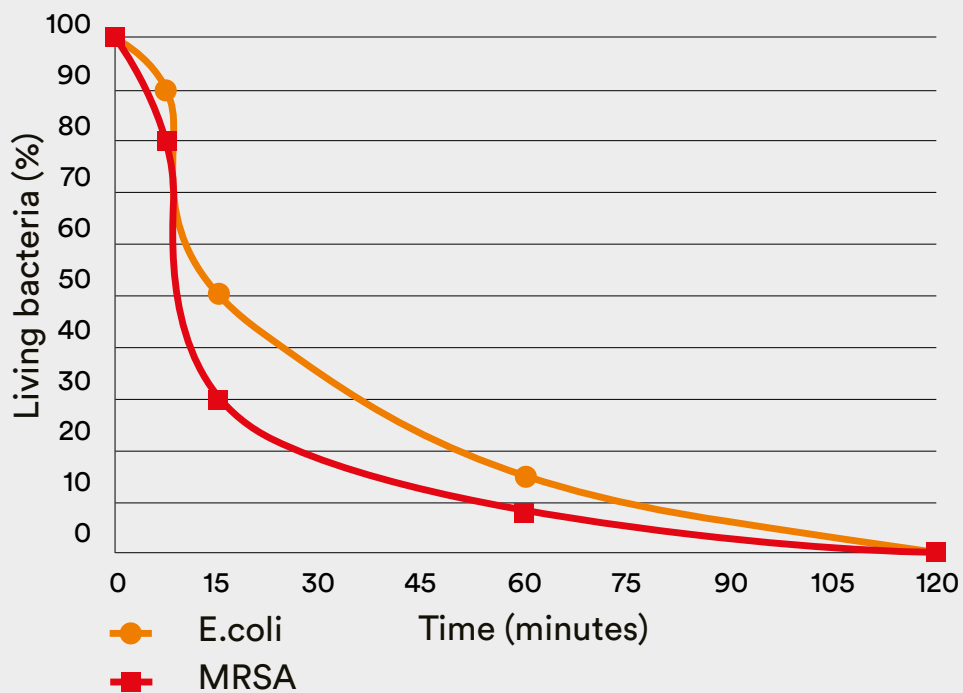


varimed® ISO trolleys Drawers for full-size ISO modules



Drawers for half-size ISO modules

Percentage of reduction of MRSA and E.coli on a protected surface (ISO 22196:2011)



Microbes have a very long stability on untreated surfaces:

Microbe	Durability
MRSA	up to 7 months
Salmonella	14 days
Aspergillus niger	spores survive for years
E.coli	up to 16 months

varimed® Functional and ISO trolleys

Antimicrobial coating

The antimicrobial coating ensures effective and long-lasting reduction of bacteria, mould and fungi colonisation.

Because of the antimicrobial coating, certain germs are reduced to up to 80% after 15 min and up to 99% within the first two hours.

It inhibits growth of a wide spectrum of microorganisms:

- MRSA
- E.coli
- Salmonella
- Legionella
- Aspergillus Niger

The anti-microbial coating has been tested to ISO 22196:2011 to substantiate the reduction of microbes. Only coatings with a minimum reduction of 95 per cent are approved.

For further information please visit www.biocote.com.

Note:

Please be aware that even with an antimicrobial coating, the device still must be cleaned and disinfected properly at all times!

varimed® Functional and ISO trolleys

Order information and material description

Order information

The following information is required:

Table top:	Plastic, silver grey with or without guard rail, inserted SST 18/10 plate or stainless steel plate with or without guard rail.
	Standard version: see item description of the respective trolley.
Trolley body:	RAL 9002, RAL 9006, RAL 9007 (standard) or at extra charge acc. to our colour chart.
Drawer and/or door fronts:	acc. to our colour chart
Bar handles:	acc. to our colour chart or matt chromium plated, semicircular or angular
Guiding bar:	acc. to our colour chart <ul style="list-style-type: none"> • straight or curved version • mounting on right or left side • without guiding bar <p>Standard version: curved guiding bar mounted on right side</p>

Cabinet

Self-supporting full-metal sandwich construction, double-wall design, sound damped, thermal protection insulated, high stiffness, smooth inner and outer surfaces.

The total load capacity (including mounting parts) distributed across a functional or ISO trolley is 100 kg (60 kg for 360 mm or 450 mm wide trolleys).

Drawers

Replaceable fronts made of electrolytically galvanized and phosphatized steel plate, with rounded corners and edges, sound damped and thermal protection with surrounding silicone sealing strip. Drawers made of electrolytically galvanized and phosphatized steel plate, powder-coated white aluminium RAL 9006. Concealed low-noise drawer slides with full pullout function, automatic pull-in function and Airmatic damping, high retention force, tool-free drawer removal.

Safe working load: 20 kg.

A surcharge applies to drawer configurations that vary from the trolleys illustrated in this catalogue. This surcharge is calculated once according to the individually customised drawer configuration; the number of trolleys in this new configuration is irrelevant.

Doors

Made of electrolytic galvanized and phosphatized steel plate, with rounded corners and edges, sound damped and thermal protection with surrounding silicone sealing strip. Internal wide angle hinges, 125° opening, magnetic catch.

Bar handles

Zinc diecast, the surface is chemical resistant, easy to clean and easy to disinfect. Mounting holes distance 192 mm.

Table tops

Jointless table top made of ABS, colour silver grey, with raised edge and/or guard rail, underside sealed, optionally made of SST 18/10. Safe working load: 50 kg.

Guiding bar

Ergonomic guiding bar, powder-coated according to colour chart.

Castors

4 closed double easy-roll castors Ø 125 mm, ball bearing, 2 electroconductive castors with full lock, 1 swivel-type castor and 1 with directional locking, non-staining and resistant to abrasions. Revolving bumpers Ø 100 mm, ABS frame cover, colour silver grey.

Powder coated finishes

High quality multilayer gloss paint, extremely durable and scratch resistant. Easy to clean. Resistant to climatic conditions and disinfectants.

Standard finish for trolley body:

grey white, RAL 9002, white aluminium RAL 9006 or grey aluminium RAL 9007.

All SCHMITZ colours are available for doors, drawer fronts, guide bar and bar handles, without additional charge.

Further special powder coated finishes on request.

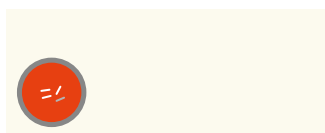
Model No.	Description
-----------	-------------

200.6030.0 (w/o ill.)	Surcharge for trolley body finishes according to SCHMITZ colour chart.
---------------------------------	--

Powder coated finishes



grey white
RAL 9002



pure white
RAL 9010



water lily white
RAL 0758510



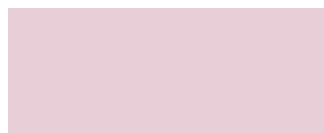
light saffron orange
RAL 0608530



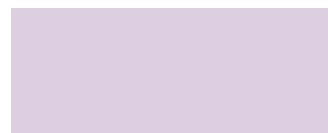
signal yellow
RAL 1003



vermilion
RAL 2002



lotus pink
RAL 3608510



tricot lilac white
RAL 3108510



tennis blue
RAL 2307020



light blue
RAL 2606030



sapphire blue
RAL 5003



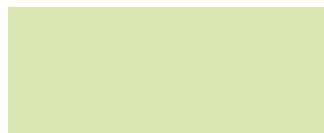
pallid blue
RAL 2308010



lemon green
RAL 1008060



filigree green
RAL 1207020



ice-cold green
RAL 1209030



Bar handles also available
matt chrome plated.



white aluminium
RAL 9006



grey aluminium
RAL 9007



anthracite grey
RAL 7016



Plastic elements
silver-grey



antimicrobial
These colours have antimicrobial properties

Colours for plastic enamel coatings

Discover new, colourful worlds

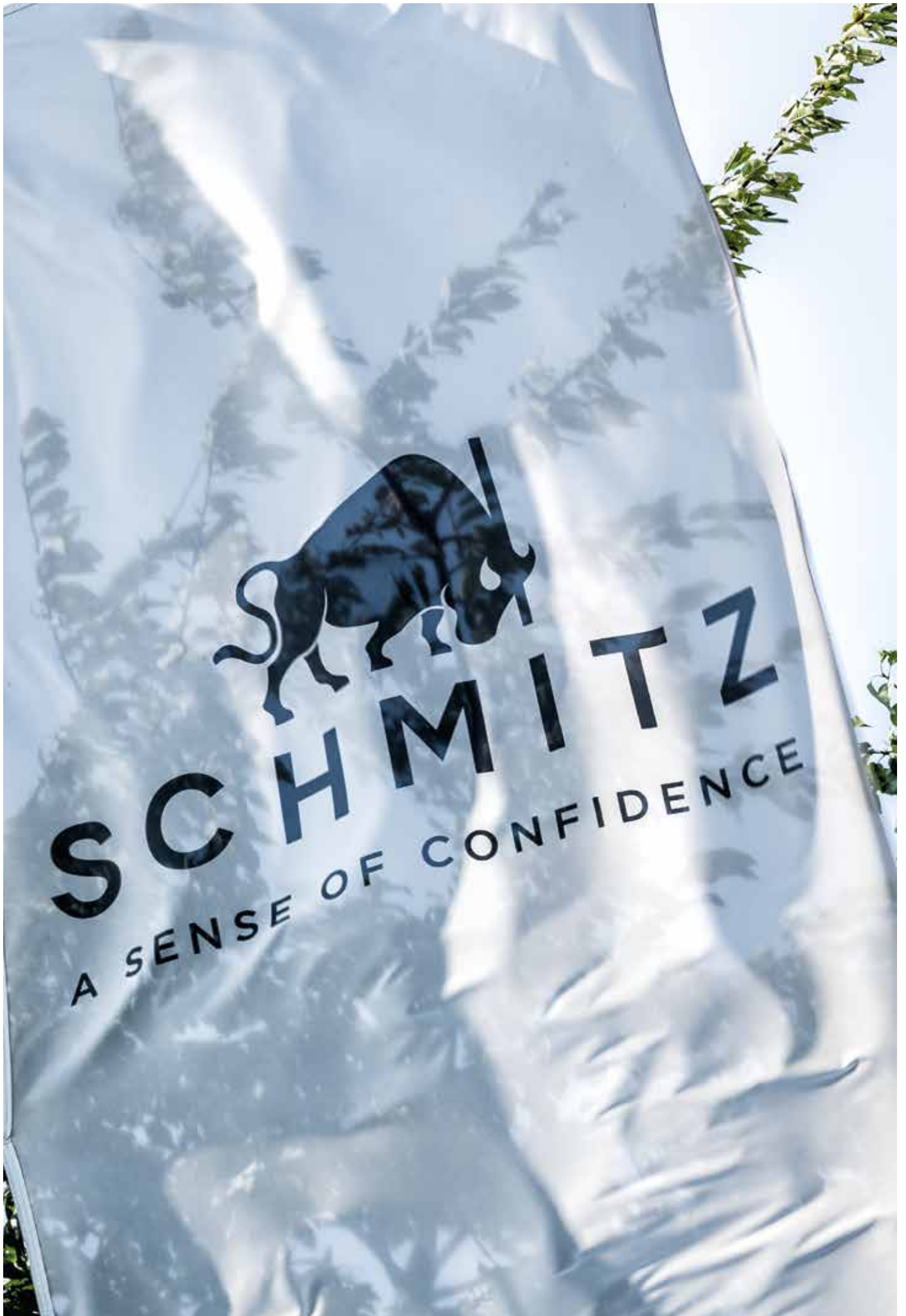
With a total of 18 colours for powder-coated finish, you have many options to create colourful highlights in your surgery.

Whether muted or cheerful, classic or modern, elegant or extravagant – with our tool, you will certainly find the right colour for you in no time at all.

We would be delighted to advise you – please feel free to contact us.



Be inspired:
www.schmitz-medical.com



Contact

SCHMITZ medial GmbH
Zum Ostefeld 29
58739 Wickede (Ruhr)

P. O. Box 14 61
58734 Wickede (Ruhr) Germany

T +49 (0)2377 84 0
F +49 (0)2377 84 162
zentrale@schmitz-medical.com

Exports department:
T +49 (0)2377 84 0
F +49 (0)2377 84 135
export@schmitz-medical.com

Technical service, hotline:
T +49 (0)2377 84 549
F +49 (0)2377 84 210
service@schmitz-medical.com

Information on our establishments
worldwide can be found on our
website:

www.schmitz-medical.com



All devices marked with the CE-MD symbol, in combination with our accessories, meet the requirements of Medical Device Regulation 2017/745/EU (MDR) as well as the Medical Device Amendment Act and are risk class I medical devices.



All devices marked with the simple CE symbol meet the requirements of low-voltage directive 2014/35/EU as well as the regulation on electrical equipment.

Please also refer to the instructions for use, for more details about the intended use!



* This product is an article of merchandise, sold under OEM brand name.

Our goods and services are to be understood ex works. Deliveries are effected via our authorized partners or branch offices. The company reserves the right to alter the design, construction, dimensions and finish of its products without notice. All relevant dimensions and weights are to be understood as approximate information/data. Due to technical reasons colour deviations are possible. The articles shown in this catalogue are not authorized for sale in the United States.

Nominal charge 3.00 Euro.