



**Your partner
for gynaecology, video colposcopy,
urology and proctology.**



A Sense of Company	05	
A Sense of Care	07	
SCHMITZ – worldwide	09	
medi-matic® Examination and treatment chairs for gynaecology and rectoscopy/proctology	10	
medi-matic® urology Examination and treatment chairs for urology/urodynamics	38	
vidan®2 The Full HD Video Colposcope	48	
arco-matic® Examination and treatment chairs for gynaecology	74	
arco Examination and treatment chairs for gynaecology	96	
arco proctology Examination and treatment chair for proctology	114	
Orbit The equipment concept for gynaecology and proctology	126	
Colours for powder coating, upholsteries and plastic elements	152	
Contact	154	



A Sense of Company

With more than 90 years of experience, SCHMITZ is one of the leading international manufacturers of medical products.

A family-owned business with a living tradition. Our typical employee has been with the company for some 18 years, proof of how strongly they identify with our values and philosophy.

In 2012, the company's management passed to Friedrich and Matthias Schmitz, the fourth generation of the family.

We are proud to be located in Germany and are deeply rooted in our home region. We develop and manufacture here.

90% of our suppliers are from Germany, of which 60% are from the local region.

Made in Germany



'The transition to the next generation is always something special.'



A Sense of Care

We understand the services which are our lifeblood, and aim to achieve maximum customer satisfaction. From consulting through planning to installation.

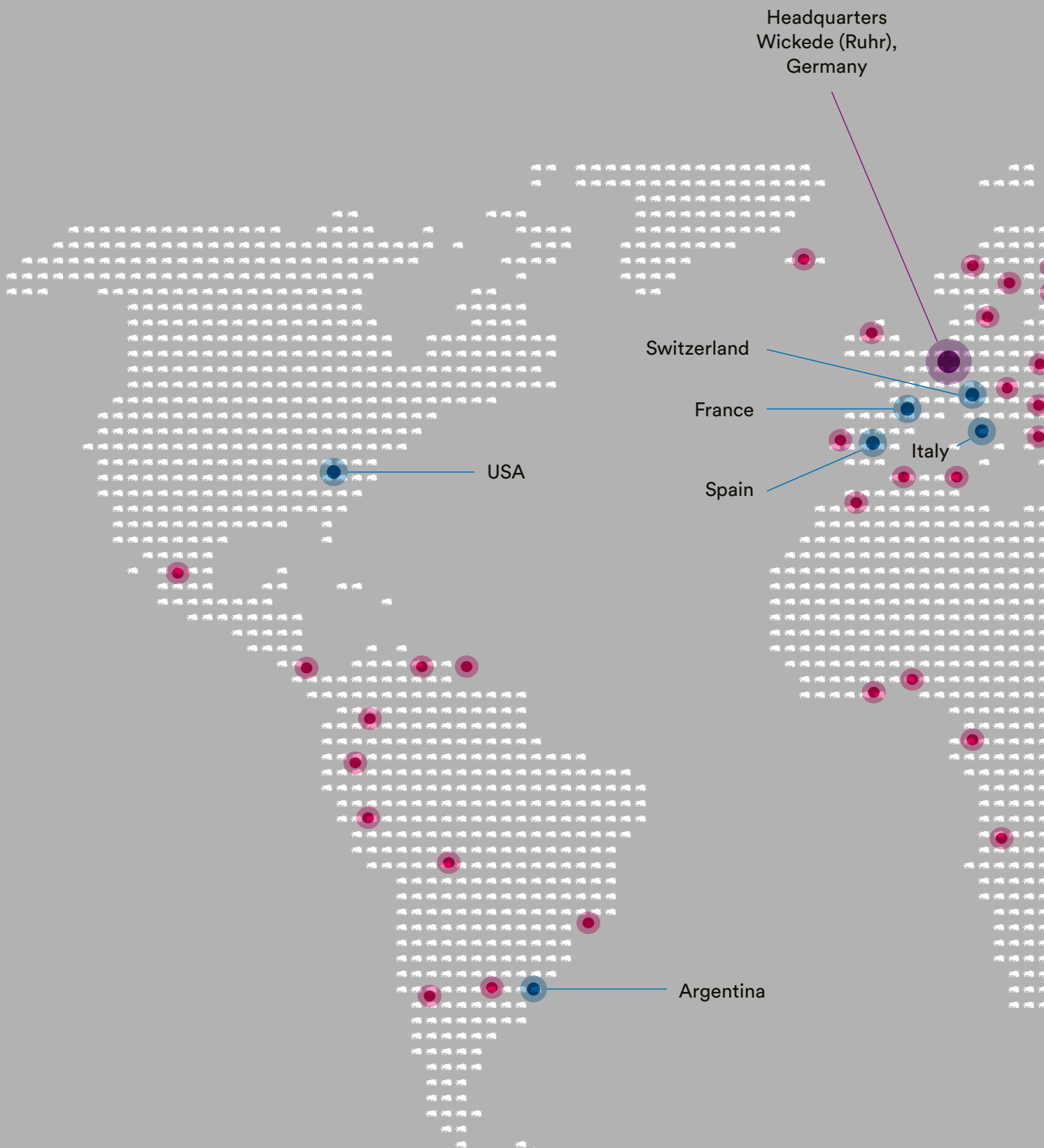
Cost-effectiveness through longevity is what you can expect from us.

With a well thought-out service concept and comprehensive support, SCHMITZ works alongside you as partner from start to finish.

Technical Customer Service

T +49 (0)2377 84 549

service@schmitz-soehne.de



Headquarters
Wickede (Ruhr),
Germany

Switzerland

France

Italy

Spain

USA

Argentina

● Over 80 international trade partners

● Sales offices

SCHMITZ – represented worldwide





medi-matic®

Groundbreaking technology and fascinating design.

The combination of optimised functionality, first-class comfort and elegant design make the medi-matic® the best in its class. Developed to set new standards in daily medical practice and clinical use.

Sophisticated design

Thanks to the high-quality materials and its attractive design, the medi-matic® guarantees a professional, confidence-inspiring atmosphere.

Ergonomics and efficient work

Equipped with up to four motors, the medi-matic® enables optimal examination positions to help you work ergonomically.

Convenient and safe

Its low starting height of 550 mm makes it perfect for getting on conveniently and easily without a mounting step. The leg positioning systems detach easily – ideal for wheelchair users and for transferring patients.





medi-matic®

Intelligent control: The control elements

Illuminated visual display

Keep an eye on everything! The illuminated visual display optically shows all chair movements and also features an electronic diagnostic function.

Additional programmable keys

for seat heating (gynaecology) or water inflow for basin with gyro flushing (urology) and triggering of a cold light source or a colposcope with integrated sockets.

Memory function and simultaneous startup

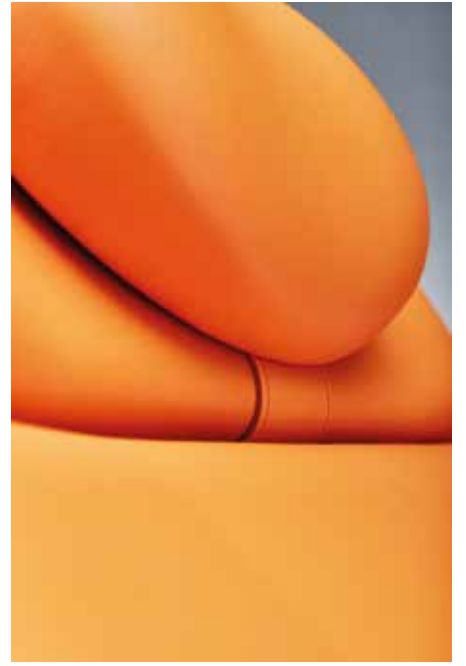
More time for your patients, less time spent finding the optimal setting on the treatment chair – the result of decades of development and experience. With up to eight memory positions, several doctors can save and access their preferred examination positions at any time.

Soft start-up and ergonomic sequence

All of the motors of the medi-matic® feature a soft start-up and ergonomic motion sequence. Safety for the patient at all times!

Foot or hand operation for

the control of all adjustments.



medi-matic® C€MD

Model overview

Model No.	Description
-----------	-------------



115.7150.1	medi-matic® Examination and Treatment Chair Electromotive adjustment of Trendelenburg position and back section, and in addition electromotive height adjustment from 600 - 900 mm, mounting height: 550 mm. Activation of all functions by means of foot control.
-------------------	---



115.7250.1	medi-matic® Examination and Treatment Chair as 115.7150.1, however in addition with memory function for storing of 8 positions. Activation of all functions by means of hand and foot control.
-------------------	--

115.7550.1	medi-matic® Examination and Treatment Chair as 115.7250.1, however in addition electromotive adjustment of foot supports. (without foot supports/ Please consider corresponding ref.-no. 101.4420.1 or Göpel-type leg supports 101.4550.0) Activation of all functions by means of hand and foot control.
-------------------	--

**All basic models are without leg positioning system, please choose from five options: page 24/25.
Optional mobility: page 29.**

Discover our new product and colour configurator!





Rinsing basin, plastics, extensible



Storage compartment for paper rolls.
Suitable for: 400 mm paper roll width, Ø approx. 140 mm.
500 mm paper roll width, Ø approx. 120 mm.



Removable seat padding for perfect cleaning and easy replacement.



Bracket for manual control unit made of 18/10 stainless steel, can be fitted on the left or right side as required, snap-in function (115.7250.1 and 115.7550.1).



Foot control for 115.7250.1 and 115.7550.1.



Foot control for 115.7250.1 and 115.7550.1 with basin with gyro flushing
The water valve is controlled by an additional function key.

medi-matic®

Standard equipment

Seat, back and head sections with ergonomic upholstery, rinsing basin of plastics, extensible, storage for paper rolls up to 500 mm width, activation of the adjustment and memory functions via hand and foot control (model-dependent equipment). Base plate with 4 levelling screws, plastic claddings and covers in silver-grey, telescopic cladding of column and seat/back section frame powder coated acc. to colour chart, upholsteries acc. to colour chart. Foot support mounts for quick removal or individual swivelling on a horizontal level of foot supports or Göpel-type leg supports with integrated handles (not available for equipment with side rails 101.1370.0). Connection cable of 3 m with mains plug (upon request, prepared for fixed connection to the wall/earth, without connection cable). Power supply: 230 V, 50 Hz, max. 0.45 kW. Country specific versions available upon request. Safe working load: 200 kg.

Important

Examination chairs with side rails 101.1380.0 at the back section are equipped with a back section pad which is flush with the lateral back section frame, see page 42, middle image.

Electric sockets

Chair can be equipped with 2 power sockets acc. to safety standards EN 60601-1! See page 27.

Country specific versions available upon request.
Subsequent fitting not possible.

Powder coated finish

High quality multilayer gloss paint of extreme knock and scratch resistance. Easy to clean and to disinfect. Resistant to climatic conditions. Available in SCHMITZ colours acc. to colour chart, page 152 (without surcharge). Further optional colours acc. to RAL colour chart at extra charge.

Upholstery

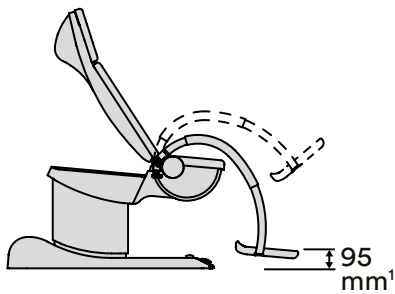
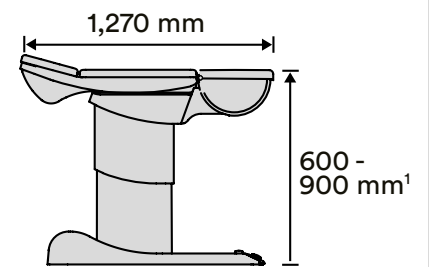
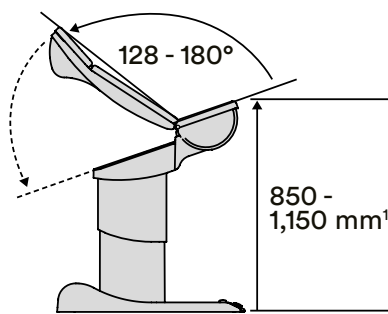
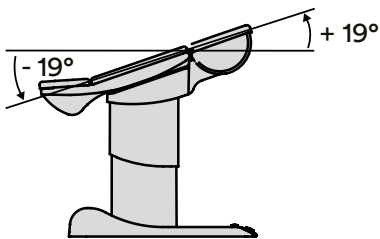
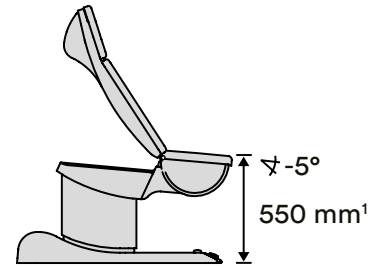
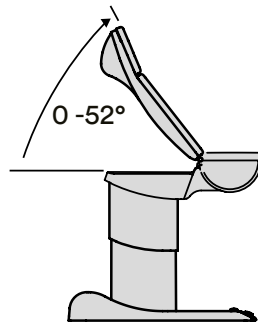
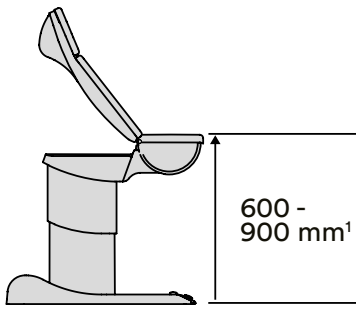
High quality, hard wearing foam rubber with leatherette cover. Available in SCHMITZ colours acc. to colour chart without surcharge (classic and comfort qualities).

Ordering information

Please specify when ordering:

Foot/leg support system: see page 24/25
Upholstery colour: see colour chart page 152
Plastic enamel coating: see colour chart page 152

Model No.	Description
100.0510.0 (w/o ill.)	Further optional colours acc. to RAL colour chart at extra charge.



Foot supports can be lowered to 200 mm above floor level with seat section in horizontal pos. or even to 95 mm with seat section inclined by -5° (115.7550.1)

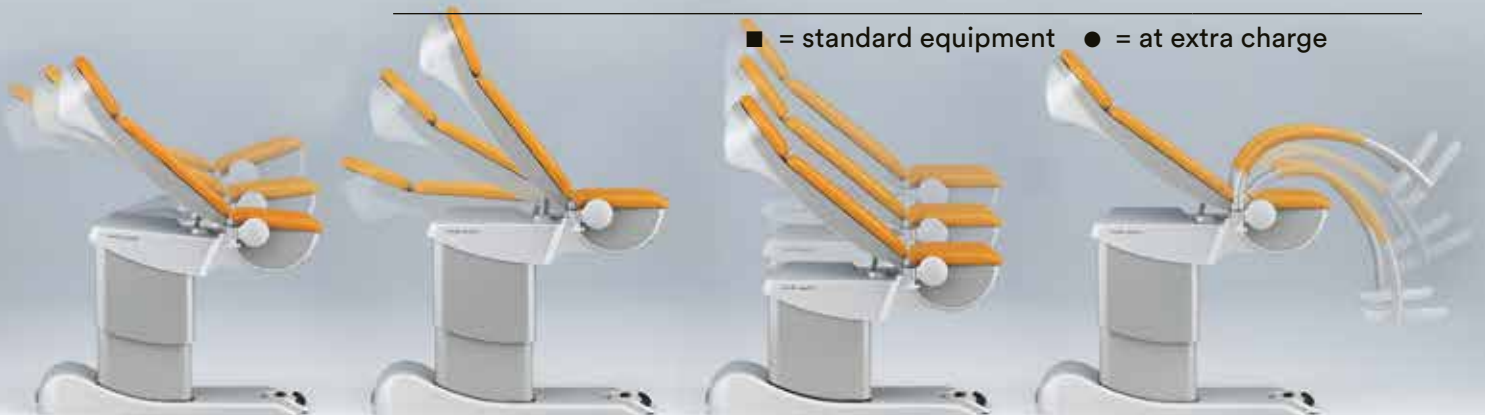


¹ in connection with mobility 101.2300.0 please add 75 mm.

medi-matic® Adjustment functions and dimensions

Dimensions	115.7150.1	115.7250.1	115.7550.1
Base plate	1,050 × 575 mm	1,050 × 575 mm	1,050 × 575 mm
Width of upholstery	Back section 560 - 680 mm, Seat section 585 mm	Back section 560 - 680 mm, Seat section 585 mm	Back section 560 - 680 mm, Seat section 585 mm
Total width	690 mm	690 mm	690 mm
Back section, electr. adjustable	■	■	■
Trendelenburg position, electr. adjustable	■	■	■
Height, electr. adjustable	■	■	■
Memory function		■	■
Rinsing basin	■	■	■
Side rails, seat section	●	●	
Foot supports, electr. adjustable			■
Net weight (w/o access.)	156 kg	156 kg	165 kg
Safe working load	200 kg	200 kg	200 kg

■ = standard equipment ● = at extra charge



Trendelenburg position

Back section adjustment

Height adjustment

electromotive
foot-support adjustment
(115.7550.1)





Positioning with foot rests



Positioning with Göpel-type leg supports



Low basic height allows the patients to take their seat with ease.



Horizontal positioning for ultrasound examination



Positioning with Göpel-type leg supports attached to side rails
(ill. with medi-matic® examination chair)



Positioning with Ergo-Steps attached to side rails
(ill. with medi-matic® examination chair)



Positioning with UniLeg leg supports
(ill. with arco-matic® examination chair)



Positioning with UniLeg leg supports
(ill. with arco-matic® examination chair)

medi-matic® C€^{MD}

Leg support systems

Model No. Description



101.4420.1 Foot supports (pair)
with integrated, powder coated handles,
can be swivelled to the side, lockable.
Leatherette covers for handles acc. to colour chart.
Plastic foot support covers of transparent PU material.



101.4550.0 Leg supports, Göpel type (pair)
with integrated, powder coated handles.
Leatherette covers for handles acc. to colour chart.
Leg supports with integral foam upholstery in
silver-grey, including fastening strap, rod of
stainless steel 18/10.



**101.0369.0 UniLeg leg supports (pair)
with peroneal nerve protection E**
height-adjustable and spreadable from foot end,
with gas spring support, plastic covering with pad
for foot and lower leg, adjustable in all positions,
with integrated side rail mount.



101.0678.0 UniLeg leg supports (pair) E
Same as model 101.0369.0 UniLeg,
but **without** peroneal nerve protector.

Note:

Please note that the alternative 'Price group E' for surgical accessories applies for the two UniLeg models. The retailer discount may therefore vary!



Model No. Description

101.2270.0 Göpel leg support (piece)
covered integral foam upholstery in silver-grey,
including fastening strap, rod of stainless steel 18/10,
excluding attachment clamp.
(requires 101.1370.0 and 101.1670.0)

101.1370.0 Side rails (pair)
for the seat section, stainless steel 18/10,
25 × 10 mm, 290 mm long.

101.1670.0 Attachment clamp (piece)
revolving, stainless steel 18/10,
for installation on side rails.

101.1580.0 Hand grip (piece)
integral foam upholstery in silver-grey,
for installation on side rail 101.1370.0.
(only in combination with Göpel leg supports 101.2270.0)



101.2310.0 Ergo Steps (pair)
leg support system with adjustable heel/calf troughs,
grey plastic, can be swivelled to the side, integrated
handles of circular tube in the same colour as the chair.
Attachment elements in stainless steel 18/10,
for installation on side rails.
(require 101.1370.0)

medi-matic® C€^{MD}

Accessories for all disciplines

Model No. Description



101.4450.0 Leg plate
 extensible, integrated into seat section frame,
 with integral foam pad,
 grey (L 340 x W 470 x H 20 mm).
 Safe working load: 50 kg.
 (subsequent fitting possible,
 please contact our service dept.)



101.4460.0 Intermediate upholstery
 push-in-upholstery of integral foam,
 grey, for extensible leg plate 101.4450.0.
 (subsequent fitting possible)



101.4470.0 Leg plate
 push-in plate, upholstered (L 620 x W 550 x H 45 mm),
 leatherette cover acc. to colour chart.
 Safe working load: 50 kg.
 (subsequent fitting possible,
 please contact our service dept.)



101.3720.0 Head cushion
 leatherette cover acc. to colour chart.



101.4810.1 Protective cover
 for the upholstery of the seat section.

Model No. Description



100.1760.0 Paper roll
400 mm wide, stored into the integrated compartment.



101.6540.0 Shelf with supporting arm
can be rotated and swivelled, e.g. for instruments and equipment. Utilisable space: 309 × 285 mm, safe working load 10 kg.



101.4900.0 2 Power sockets for 115.7150.1
acc. to EN 60601-1. (subsequent fitting not possible)

101.4910.0 2 Power sockets for 115.7150.1 - "Swiss type" socket
similar to 101.4900.0, but "Swiss type" socket.
(subsequent fitting not possible)
Other country-specific sockets available on request.



101.6800.0 2 Power sockets for 115.7250.1 and 115.7550.1
according to EN 60601-1, activation of 1 socket by manual control unit. (subsequent fitting not possible)

101.6810.0 2 Power sockets for 115.7250.1 and 115.7550.1
Swiss design
similar to 101.6800.0, but "Swiss design".
(subsequent fitting not possible)
Other country-specific sockets available on request.

medi-matic® C€^{MD}

Accessories for all disciplines

Model No. Description



101.4750.0 Foot rest for the doctor
stainless steel
(not possible in combination with the gyro flushing basin 101.4940.0/101.4990.0)



101.4520.1 Mounting step
fixed to the chair, movable, tread of plastic material
in silver-grey, (not possible in combination with mobility 101.2300.0 or gyro flushing basin 101.4940.0/101.4990.0)

Model No.	Description
-----------	-------------



101.4800.1	Plastic covers (pair) of transparent material, as foot support protection.
-------------------	--



101.2300.0	Mobility 4 double castors, Ø 75 mm, lockable and electrically conductive. (subsequent fitting possible) Not available in combination with the gyro flushing basin 101.4940.0/101.4990.0 and the mounting step 101.4520.1. Note: May not be used for patient transport!
-------------------	--

medi-matic® C€^{MD} LED examination light

Model No.	Description
-----------	-------------



101.3140.0	LED examination light*
-------------------	-------------------------------

	<p>Flexible adjustment, safe and easy positioning. Light power 30,000 Lux at 0.5 m⁽²⁾, large homogenous light field for maximum ease of viewing, illumination area Ø 18 cm at 0.5 m⁽²⁾. Set colour temperature from 4,400 K, continuously dimmable. Fast cleaning thanks to closed construction. Maintenance-free thanks to LED technology. With external mains adapter. Fulfils the normative requirements of EN 60601-1 and EN 60601-2-41.</p>
--	--

With rail clamp for attachment to existing side rail, for examination chairs of the series **medi-matic®**, **arco** or **arco-matic®**.

For medi-matic® examination chairs without side rail at the seat section, please consider telescopic rod 101.3110.0/101.3120.0 or 101.0313.0!

Model No. Description

101.3150.0 LED examination light*

Same as model 101.3140.0, but with additional rail clamp and rail bracket, for examination chairs from the **medi-matic®**, **arco** or **arco-matic®** series with side rails on the seat section.

The arm can be used to increase the pivoting angle of the LED examination light to ensure straightforward use with examination chairs with electrically adjustable leg supports.



Note:

The LED examination light cannot be used in conjunction with the integrated version of the **vidan®2** video colposcope!

medi-matic® C€^{MD}

LED examination light

Model No.	Description
-----------	-------------



101.3110.0	Telescopic rod, right*
-------------------	-------------------------------

	For attaching LED examination light 101.3140.0 on the right-hand side directly to the medi-matic® examination chair, continuously height-adjustable from 600 mm to 970 mm, made of stainless steel.
--	---

101.3120.0	Telescopic rod left*
-------------------	-----------------------------

(w/o ill.)	Same as 101.3110.0, but for attachment on left-hand side.
------------	---



Model No. Description

101.3130.0 Telescopic rod for colposcope support*
Stand pipe for attaching LED examination light 101.3140.0, for use on medi-matic® examination chair with colposcope support, continuously height-adjustable from 800 mm - 1,400 mm, made of stainless steel. Can be retrofitted to existing colposcope support.

medi-matic® C€^{MD}

Accessories for gynaecology

Model No. Description



101.2050.0 **Stainless steel basin, flat**
325 × 265 × 40 mm.

Surcharge



101.2010.0 **Stainless steel basin, deep**
355 × 325 × 65 mm.

Surcharge



101.4620.1 **Seat heating**

activated or switched off by manual control unit.
Average power consumption approx. 20 watts,
adjustable indication of temperature via display.
(not available in combination with gyro flushing basin
101.4940.0 or for exam. chair model no. 115.7150.1)

Model No. Description

101.4310.0 Colposcope support (w/o colposcope)
for Leisegang, Leica, Kaps and Zeiss systems,
R.H. or L.H. fitting. For Kaps and Zeiss systems,
please order necessary mounting tube with
attachment from your colposcope supplier.

**For information on the integrated SCHMITZ vidan®2
Full-HD Video colposcope, please see page 48 ff.**





medi-matic® CE^{MD}

Recommended accessories for gynaecology

	Model No.	Description	115.7150.1	115.7250.1	115.7550.1
1 x	101.3720.0	Head cushion	●	●	●
1 x	101.4620.1	Seat heating		●	●
1 x	101.4900.0	2 Power sockets	●		
1 x	101.6800.0	2 Power sockets		●	●
Leg/foot support systems, optionally:					
2 x	101.2270.0	Göpel-type leg supports (piece)	●	●	
2 x	101.1670.0	Attachment clamps (piece)	●	●	
1 x	101.1370.0	Side rails (pair)	●	●	
2 x	101.1580.0	Hand grips (piece)	●	●	
alternatively:					
1 x	101.4420.1	Foot supports (pair)	●	●	●
alternatively:					
1 x	101.4550.0	Göpel-type leg supports (pair)	●	●	●
alternatively:					
1 x	101.2310.0	Ergo-Steps (pair)	●	●	
1 x	101.1370.0	Side rails (pair)	●	●	
Full-HD video colposcope:					
1 x	113.0007.0	Video colposcope vidan®2		●	●
1 x	101.0531.0	Connectivity package		●	●
alternatively:					
1 x	113.0009.0	Video colposcope vidan®2 mobile	●	●	●
1 x	101.0620.0	Connectivity package	●	●	●

For more information on the vidan®2, see page 48 ff.





medi-matic® for urology

The medi-matic® examination chair is also an asset in urology and urodynamics thanks to specialist and sophisticated accessories.

medi-matic® 

Additional accessories for urology, urodynamics

Model No. Description



101.4940.0 Basin with gyro flushing
for models 115.7250.1 and 115.7550.1,
stainless steel 18/10, large and round basin Ø 360 mm
extensible, swivel-type, lockable in any position,
version for greater hygiene without profile, odour
sealing by siphon trap at site (wall/floor system),
water regulation activated by foot control or hand
control, flexible outlet hose and connecting piece,
Ø 40 mm. According to DIN EN 1717.
No plastic rinsing basin as standard fitting.
(No subsequent installation possible; cannot
be used in conjunction with seat heating 101.4620.1)
Incl. plastic cover 101.4810.1 for the seat section
upholstery.

101.4990.0 Basin with gyro flushing
for model 115.7150.1, water regulation activated by
foot control integrated into the base plate cladding,
for the rest, same execution as 101.4940.0.



100.1840.0 Sieve
round, stainless steel, for basin with gyro flushing.



101.4970.0 Bracket
stainless steel, lateral storing on LHS or RHS,
for basin with gyro flushing.



Model No. Description

101.2020.0 Rinsing basin
 stainless steel 18/10, W 350 x L 325 x D 65 mm,
 with outlet, stopper and hose 3/4", 1,200 mm long.
 Replaces the standard plastic rinsing basin.
 Incl. plastic cover 101.4810.1 for the seat section
 upholstery.

100.1350.0 12-litres bucket
 stainless steel 18/10,
 with recess in the lid to insert hose.



101.6600.0 Drain gutter for fluids
 made of stainless steel,
 for installation behind the seat section.



101.4950.0 Special seat section pad
 for urodynamics section, W 585 mm, L 350 mm. **Surcharge**
 Replaces standard seat section pad.

101.4960.0 Adapting section
 as extension, two-piece, for Urodynamics section,
 each piece: W 220 mm, L 150 mm.
 (requires side rails 101.1390.0)

medi-matic® CEMD

Additional accessories for urology, urodynamics

Model No. Description



101.4980.0 Supporting bar
for upright positioning (80°) of the back section upholstery.



101.1380.0 Side rails (pair)
stainless steel, 25 × 10 mm, fixed to back section, for the attachment of accessories, 480 mm long. (subsequent fitting not possible)

Note:

Examination chairs with side rails 101.1380.0 at the back section are equipped with a back section pad which is flush with the lateral back section frame.

Further accessories such as arm rest and infusion pole for mounting on the side rails can be found in our catalogue for OR table accessories, no. 92.



101.1390.0 Side rails (pair)
stainless steel, 25 × 10 mm, 150 mm long, for the seat section, usable with 101.4420.1 or 101.4550.0, for fixation of the adapting section 101.4960.0. (subsequent fitting not possible)



Model No. Description

101.4930.0 **Socket for potential equalisation**



medi-matic® CE^{MD}
Recommended accessories for urology

	Model no.	Description	115.7150.1	115.7250.1	115.7550.1
1 x	101.3720.0	Head cushion	●	●	●
1 x	101.4900.0	2 Power sockets	●		
1 x	101.6800.0	2 Power sockets		●	●
Choice of accessories:					
1 x	101.4990.0	Gyro flushing basin	●		
1 x	101.4940.0	Gyro flushing basin		●	●
1 x	100.1840.0	Sieve	●	●	●
1 x	101.6600.0	Drain gutter for fluids	●	●	●
alternatively:					
1 x	101.2020.0	Rinsing basin with outlet	●	●	●
1 x	100.1350.0	12 l bucket	●	●	●
1 x	101.6600.0	Drain gutter for fluids	●	●	●
Leg/foot support systems, optionally:					
2 x	101.2270.0	Göpel-type leg supports (piece)	●	●	
2 x	101.1670.0	Attachment clamps (piece)	●	●	
1 x	101.1370.0	Side rails	●	●	
2 x	101.1580.0	Hand grips	●	●	
alternatively:					
1 x	101.4550.0	Göpel-type leg supports (pair)	●	●	●
1 x	101.1380.0	Side rails	●	●	●
1 x	101.0019.0	Arm rest	●	●	●



medi-matic® CE^{MD}**Recommended accessories for urodynamics**

Model no.	Description	115.7150.1	115.7250.1	115.7550.1
1 x 101.4950.0	Special pads	●	●	●
1 x 101.1390.0	Side rails (pair)	●	●	●
1 x 101.4960.0	Adapting section (two-piece)	●	●	●
1 x 101.4970.0	Bracket ³ (piece)	●	●	●
1 x 101.4980.0	Supporting bar (piece)	●	●	●
Leg/foot support systems, optionally:				
2 x 101.2270.0	Göpel-type leg supports (piece)	●	●	
2 x 101.1670.0	Attachment clamps (piece)	●	●	
1 x 101.1370.0	Side rails (pair)	●	●	
2 x 101.1580.0	Hand grips	●	●	
alternatively:				
1 x 101.4420.1	Foot supports (pair)	●	●	●
alternatively:				
1 x 101.4550.0	Göpel-type leg supports (piece)	●	●	●
1 x 101.1380.0	Side rails (pair)	●	●	●
1 x 101.0019.0	Arm rest (piece)	●	●	●

³Note: This bracket is required for lateral storage of the gyro flushing basin 101.4940.0 or 101.4990.0.



vidan®2

The first integrated Full HD video colposcope with touchscreen monitor.

The technically advanced video colposcope with Full HD and an integrated computer in the examination chair is the ideal addition to the medi-matic® examination chair.

Precise, bright, comfortable.

Maximum precision with Full HD

A successful colposcopy depends on details that can only be detected with maximum image quality. vidan®2 aids in diagnosis. Supports all common interfaces for integration into your own network.

Doctor-patient relationship

The freely swivelling, rotating and tilting monitor provides optimal display of the examination and allows the patient to be involved in the examination if she wishes. Build trust through dialogue.

Ergonomic and time saving

The integrated computer guarantees that the examination results can be backed up quickly and easily right on the medi-matic® examination chair. vidan®2 can be used in an optimally ergonomic, fatigue-free sitting position, thus facilitating the physician's work.





vidan®2

Easy to handle

The control elements

Clearly arranged operating elements for an intuitive control and handling of the video colposcope.

Two freely definable magnification values, which can be easily accessed at the touch of a button, help reduce the examination time.

Transfer of ultrasound images

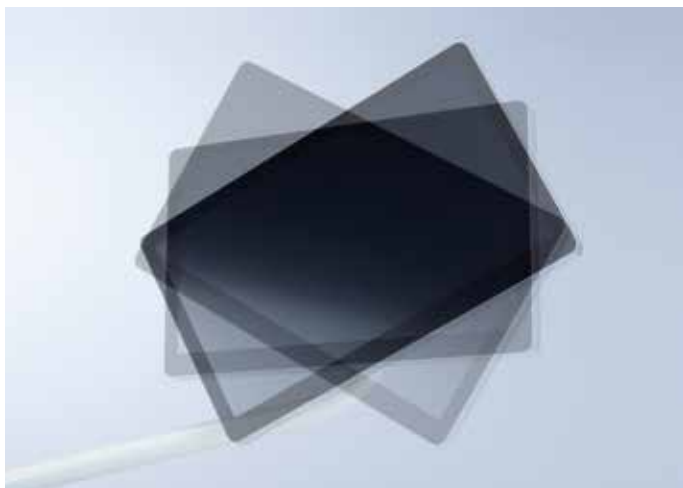
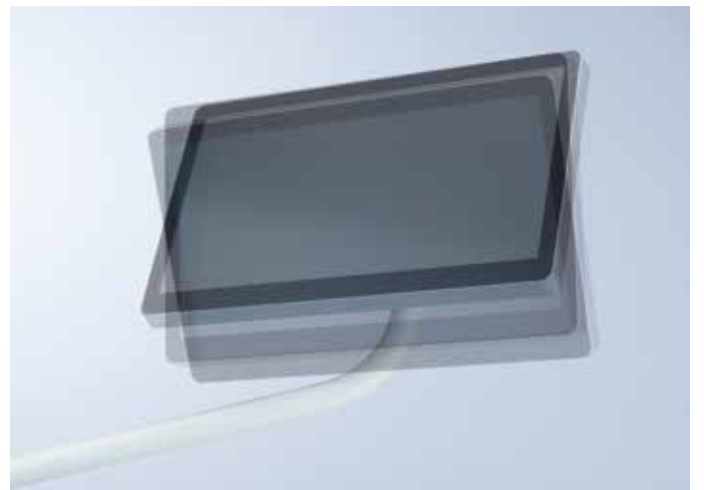
The vidan®2 screen display can be switched over to the connected ultrasound scanner or another digital video source. The swivel functions of both monitor and monitor arm allow integrating the patient into the examination and diagnostics.

Training of assistant physicians

The HDMI interfaces allow mirroring the image currently displayed on the vidan®2 monitor on another screen. This feature can be used to support the training of assistant doctors.

Uninterruptible Power Supply (UPS)

In the event of an unexpected voltage drop or sudden power cut, the Uninterruptible Power Supply will provide voltage for a maximum of 2 minutes. The UPS will put the system into safe mode and will save any unsaved data. The computer on the vidan®2 will only restart once the UPS has charged to 90%.



vidan®2

Flexibility in display

Freely swivelling screen

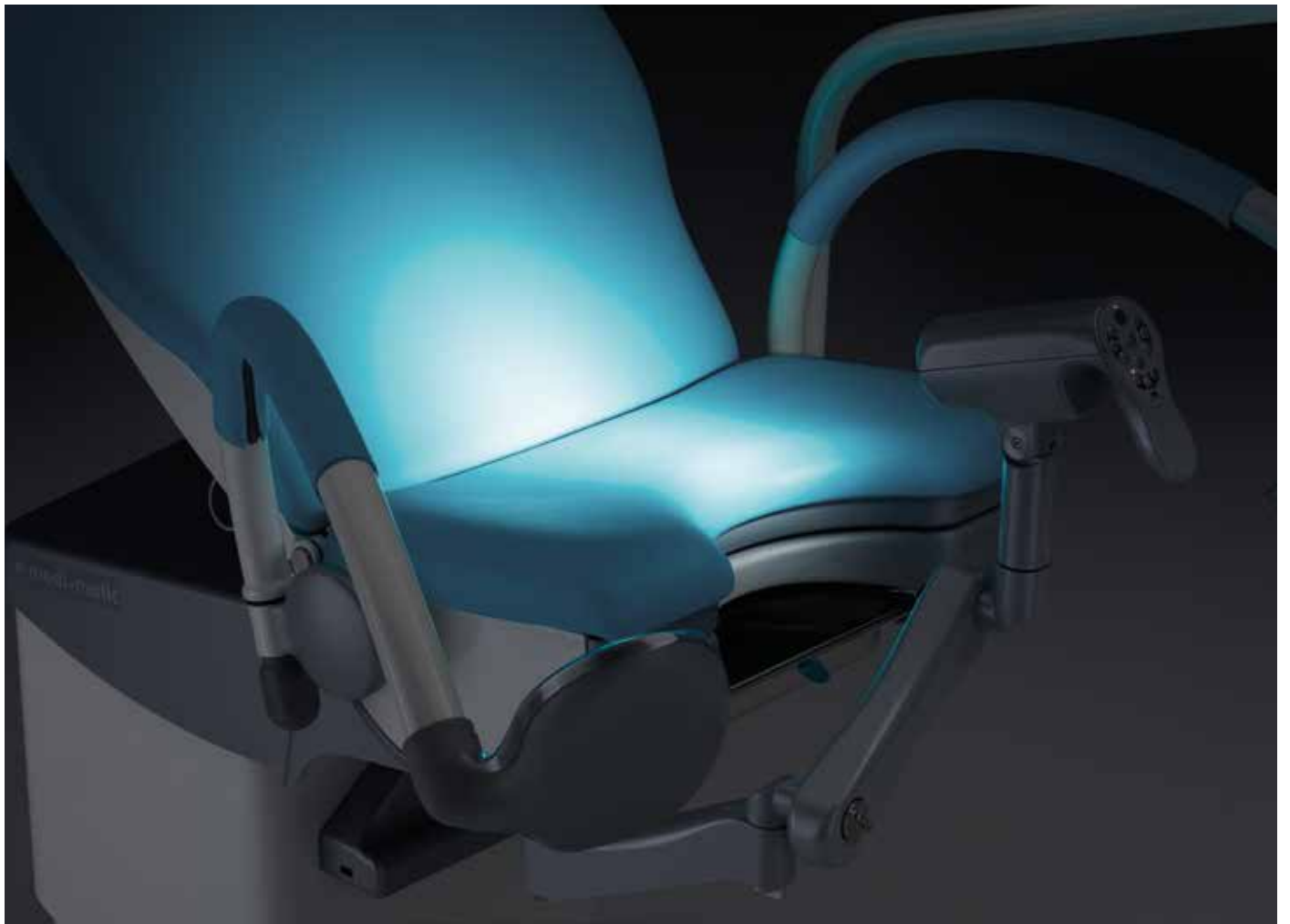
The freely swivelling, turning and inclinable screen supports an ideal visualisation of the examination. The 160° swivelling monitor arm allows the patient to be integrated even more closely into the examination and diagnostics.

Input via touch screen

Patient data can be entered directly via the touchscreen of the monitor.

Easy to handle

Switching to the external video source directly at the monitor.



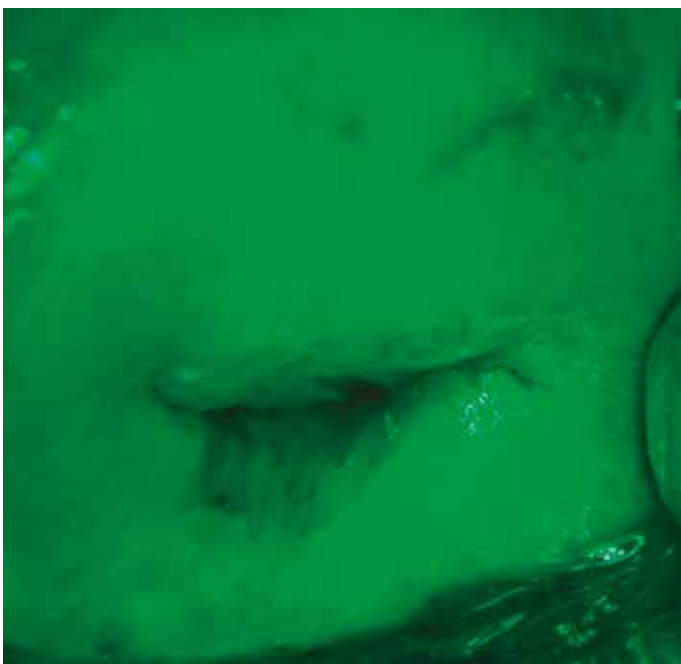
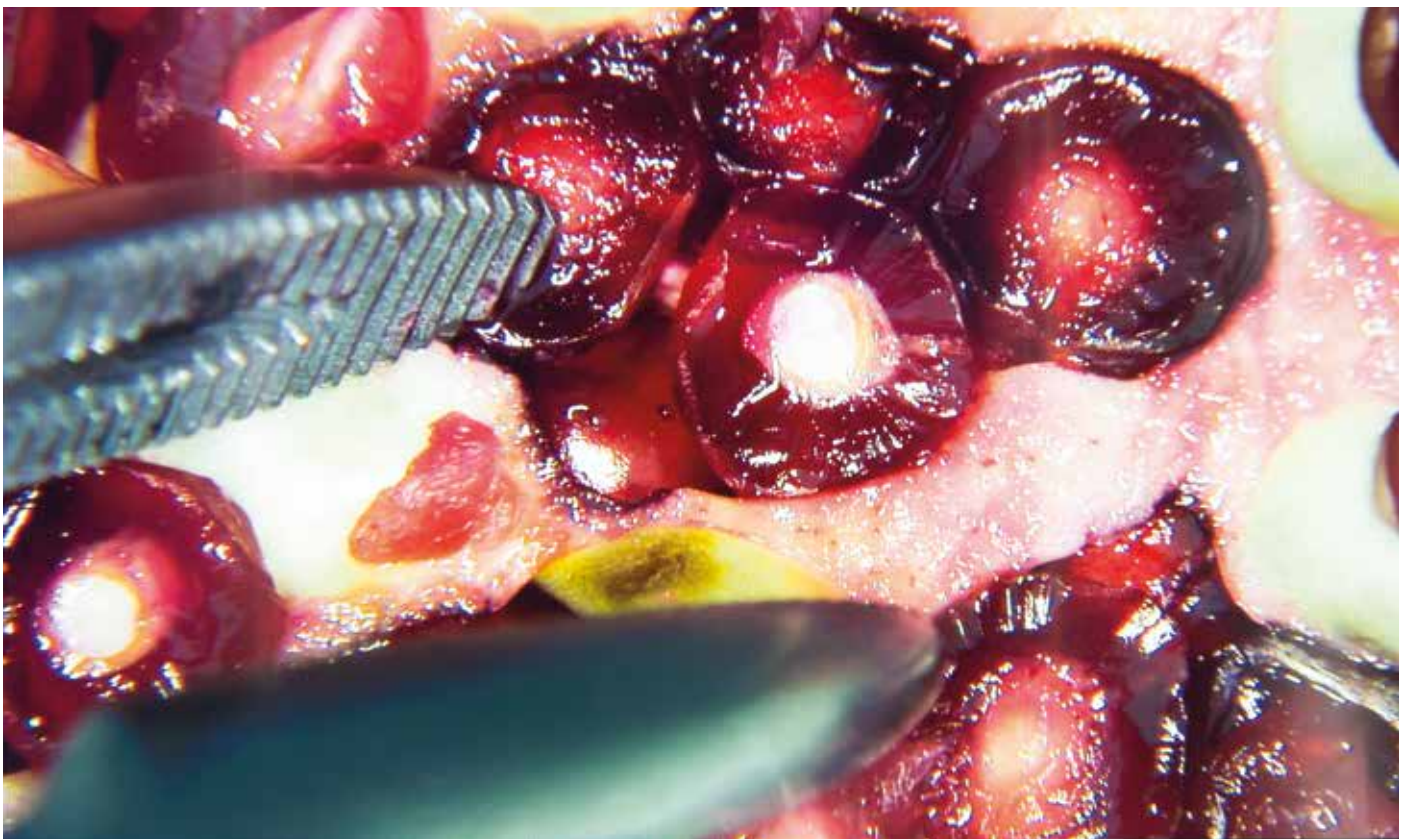
Ultra-bright: LED illumination with green light/green colour filter

Examination light

Ultra-bright LED illumination with a colour temperature of approx. 5.700 K and 2 stages of brightness. An additional stage serves as an examination light with an impressive realistic colour display and a brightness of 30.000 Lux at 250 mm distance.

Green light/green colour filter

Green light with an additional electronic green colour filter can be enabled for an improved visualization of the vascular structure in Pap smears. It increases the contrast and supports enhancement of individual structures, thus facilitating the physician's work.



vidan®2

Outstanding: image quality and technology

Zoom

The variable zoom allows different views to be displayed with pinpoint accuracy. Up to 36.5x variable optical magnification means that even the tiniest details can be displayed in Full HD quality. Two freely definable zoom values, can be easily accessed at the touch of a button.

Autofocus

Autofocus independent of the zoom factor is active in a working distance of 250 - 330 mm. In addition, the focus can be readjusted manually.

Displaying

Displaying and evaluation of the examination area on a 21,5" monitor. The excellent full HD image quality facilitates diagnostics and decision-making for the correct treatment. Thus, high-precision technology provides an additional safety bonus for the patient.

Green light

Green light for an improved visualization of the vascular structure (please see also page 55).

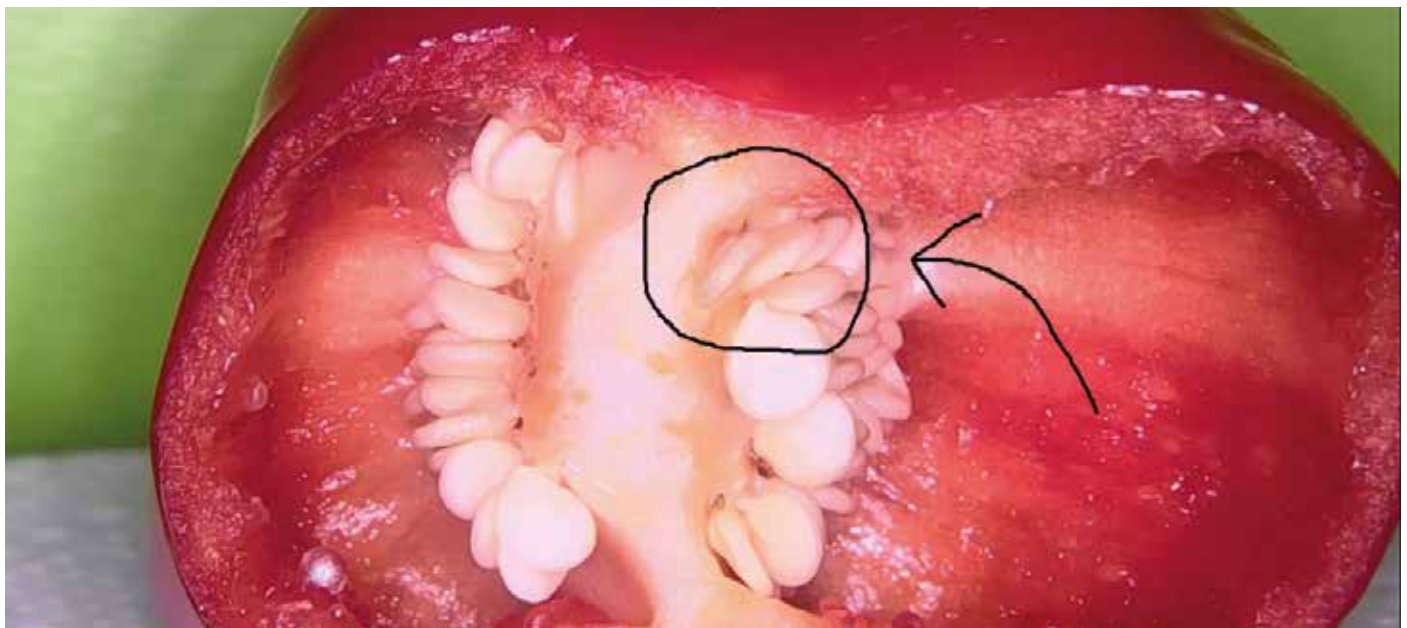

Foot control



The "Save Image/Video" function can additionally be triggered by a button on the foot control of the medi-matic® examination chair.

Patientendata Physician: **Physician 1**

Name:	Doe, Jane	Scheduled for:	18.04.2018 15:15:16
ID:	P01130	Accession no.:	AB11301
Date of Birth:	13/1980	Mobility:	JC
Sex:	Female	Station:	Emergency
Description:			


✓ ✕







vidanz  

Aktuelle Untersuchung Doe, Jane P01130 01.01.1980 F 18.04.2018 15:03

Abwähl





V1207

vidan®2 **software:**

The integrated solution for efficient working – comfortable, fast and easy to operate

Easy creating of new personal entries directly via the touchscreen monitor

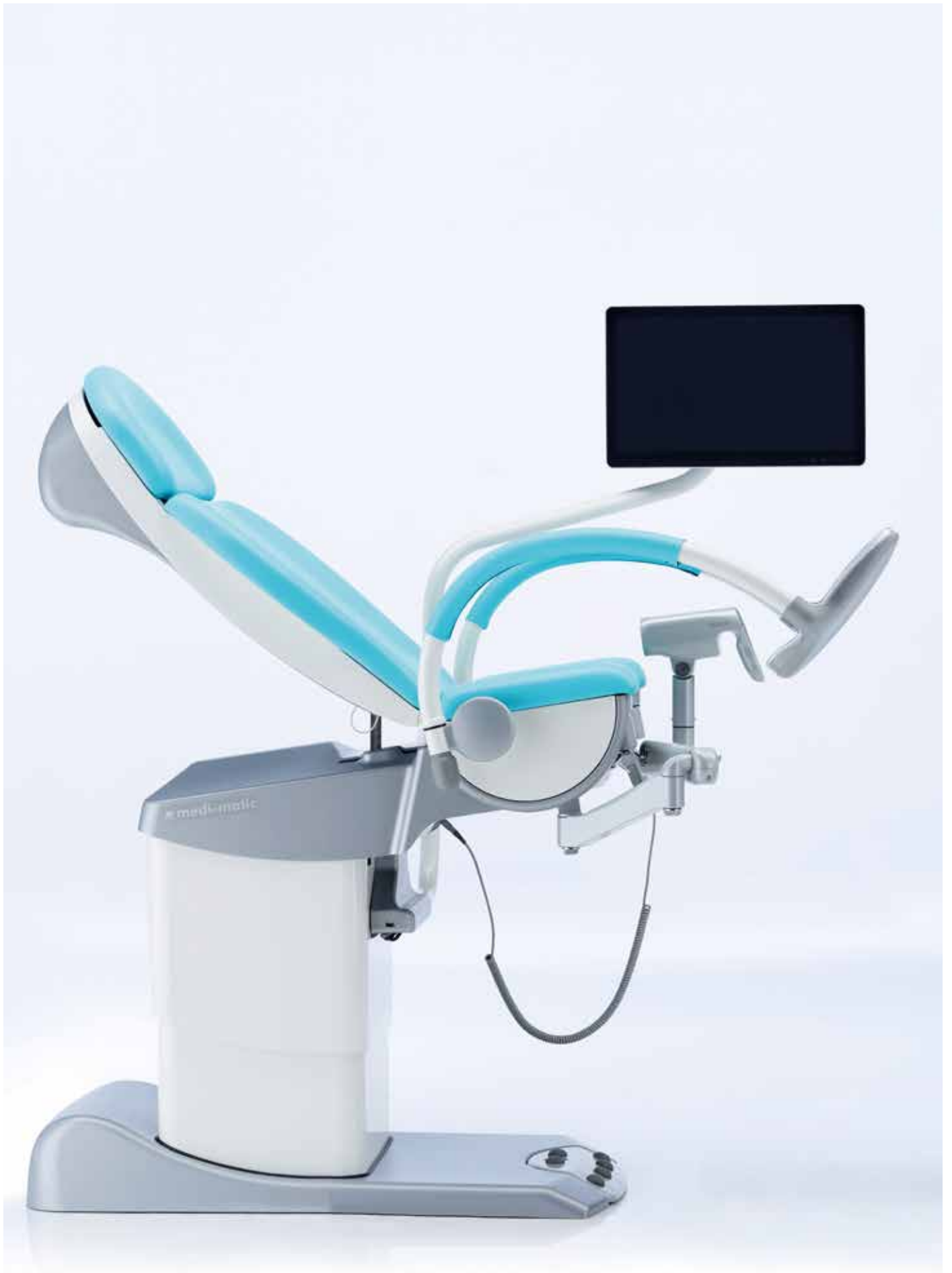
Patient allocation can therefore be done directly at the examination chair. If the vidan®2 has been integrated into an existing medical/hospital information system, patient data can also be accessed from the system or a worklist.

User-friendly to the last detail

New images or videos are automatically allocated to the patient. The pre-installed SCHMITZ software includes a useful comment function for annotating images.

Selecting created images/videos for archiving in the patient file.

The data can also be exported to a drop folder in the local network or to a USB stick connected to the examination chair.



vidan®2 

Outstanding image quality and technology

Model No.	Description
-----------	-------------



113.0007.0	Video colposcope vidan®2, integrated autarkic system with integrated computer and 21,5“ touch screen monitor. Video colposcope on a freely adjustable arm, mounted on the right hand side (patient’s view), with LED light, monitor arm mounted on the left hand side (patient’s view) by default, monitor can be rotated, tilted and swivelled. Monitor arm swivelling through 160°, powder coated in chair colour. Video colposcope with swivel arm powder coated in RAL 9006 white aluminium. Monitor in grey/anthracite colour. Add’l „Image/Video save“ button on the foot control. With network interface, HDMI and USB input. Including pre-installed SCHMITZ vidan®2 software for viewing and archiving.
-------------------	--

The integrated video colposcope vidan®2 113.0007.0 is available with the purchase of a medi-matic® examination chair model 115.7250.1 or 115.7550.1. For detailed information regarding the examination chairs, see page 15.

101.0531.0	Connectivity package (w/o ill.) to expand the connection options of vidan®2. The package includes an additional HDMI input and an HDMI output. The connectivity package is not retrofittable!
-------------------	--

Please refer to the notes and possible options for connecting to the medical practice software on page 73!

Please note:

There will be a limited view to the monitor when using the Göpel leg supports and adjusting the Trendelenburg position exceeding approx. 16°.

The video colposcope 113.0007.0 cannot be used in combination with following accessories for medi-matic® examination chairs:

101.4940.0	Gyro flushing basin
101.4990.0	Gyro flushing basin
101.4970.0	Bracket
101.4310.0	Colposcope support
101.6540.0	Shelf with supporting arm



vidan®2

Technical Data

Camera	Full-HD 1080p
Resolution	1,920 × 1,080 pixels
Magnification	Up to 36.5x continuous optical magnification on vidan®2 monitor. Two freely definable zoom values, can be easily accessed at the touch of a button.
Working distance	250 – 330 mm
Focussing	autofocus and manual focus
White balance	manually
Colour filter	green light with electronic filter
LED illumination	3 stages of brightness up to max. 30.000 lux
Colour temperature	5,700 K
Lifespan of LED	10 years
Recording function	image (JPEG) and video (MPEG4) of max. 1 minute length, still frame
Monitor	21,5" Full HD monitor with medical approval
Switching function	at the monitor, display of images coming either from the video colposcope or from a 2nd or 3rd digital video source (optional)
Uninterruptible Power Supply	up to 2 minutes
vidan®2 software	already pre-installed, to support a linear workflow from viewing to archiving
Ports	<ul style="list-style-type: none"> ● USB 3.0 Type A ● LAN (RJ45 Gigabit Ethernet) ● HDMI-IN (one port included as standard, one additional port can be added via the optional connectivity package) ● HDMI-OUT (one port via the optional connectivity package)

Possibly required network or HDMI cable or USB media devices are not included in the delivery!

For more detailed information about dimensions, adjustment and tilt angles, please don't hesitate to get in touch with us!



vidan®2

The mobile Full HD video colposcope

Versatility wherever it's needed!





vidan®2

**The mobile Full HD video colposcope
Precise – bright – easy to handle**

Pre-installed SCHMITZ software

with a pen and comment function for annotating images.

Images and videos are archived

via LAN connection, a secure WLAN connection or USB port;
an optional connection by DICOM, GDT or HL7 port
is possible – please see note in the Technical Data.

The vidan®2 can be flexibly positioned

around the treatment chair, making it comfortable and
efficient to use.

The solid 5-arm base

with individually locking castors ensures stability at all times.



vidan®2 mobile **Model overview**

Model No.	Description
113.0009.0	vidan®2 video colposcope, mobile Mobile system with integrated computer and 21.5" touchscreen monitor, can be wheeled on base with 5 locking castors, Ø 100 mm, mobile base 815 × 660 mm, total height 1,700 mm. Video colposcope with LED lighting on free-moving swivel arm, 1,000 mm long. Tilting, inclinable monitor with three height settings. Mobile base powder-coated in RAL 9006 white aluminium and RAL 7016 anthracite grey, swivel arm powder-coated in RAL 9006 white aluminium, monitor in grey/anthracite, with network interface, WLAN, USB port and HDMI input. Includes pre-installed SCHMITZ vidan®2 software for viewing and archiving.
101.0620.0 (w/o ill.)	Connectivity package for upgrading the connection options of the vidan®2. The package includes an additional HDMI input and an HDMI output. With an extra foot control to save images/videos. (cannot be added later)

Please refer to the notes and possible options for connecting to the medical practice software on page 73!



vidan®2 mobile

Technical Data

Camera	Full-HD 1080p
Resolution	1,920 × 1,080 pixels
Magnification	Up to 36.5x continuous optical magnification on vidan®2 monitor. Two freely definable zoom values, can be easily accessed at the touch of a button.
Working distance	250 – 330 mm
Focussing	autofocus and manual focus
White balance	manually
Colour filter	green light with electronic filter
LED illumination	3 stages of brightness up to max. 30.000 lux
Colour temperature	5,700 K
Lifespan of LED	10 years
Recording function	image (JPEG) and video (MPEG4) of max. 1 minute length, still frame
Monitor	21,5" Full HD monitor with medical approval
Switching function	at the monitor, display of images coming either from the video colposcope or from a 2nd or 3rd digital video source (optional)
Uninterruptible Power Supply	up to 2 minutes
vidan®2 software	already pre-installed, to support a linear workflow from viewing to archiving
Ports	<ul style="list-style-type: none"> ● USB 3.0 Type A ● LAN (RJ45 Gigabit Ethernet) ● WLAN (encrypted connection) ● HDMI-IN (one port included as standard, one additional port can be added via the optional connectivity package) ● HDMI-OUT (one port via the optional connectivity package) ● Connection interface for foot control (connectivity package required – cannot be added later)

Possibly required network or HDMI cable or USB media devices are not included in the delivery!

For more detailed information about dimensions, adjustment and tilt angles, please don't hesitate to get in touch with us!



vidan®2

Connecting to the medical office software

Information on connecting to the medical office software

vidan®2 can be operated autonomously via a USB memory device (not included in the delivery) for archiving images and videos. In addition, archiving can be done through a network link via a specified output folder in the local network.

Optionally, vidan®2 can also be integrated into existing IT systems via DICOM, GDT or HL7 interface. Please check with your IT service provider whether vidan®2 can be integrated into your existing medical office software.

SCHMITZ does not connect, install and/or implement the vidan®2 software into existing IT systems nor does it act as an advisor. SCHMITZ also does not guarantee the integration of the software into existing IT systems and a second video source, such as an ultrasound device.

§ Please take note
of the Medical
Devices Act,
in particular,
the Medical Device
Operator Ordinance for
all potential connections.



Design: Rainer Schindhelm

arco-matic®

The definition of exceptional design and state-of-the-art technology at excellent value for money.

Ergonomic

A width of upholstery of up to 680 mm at the back section and an individually adjustable head cushion attached magnetically to the chair offer patients pleasant and comfortable seating. With an access height of only 550 mm, even older or physically challenged patients can easily take a seat on the chair, and even at its lowest level, the seat position remains horizontal.

Strong

Designed for a working load of 250 kg, the chair offers great safety and many treatment options even for adipose patients.

Time-saving

Optimised adjustment speed and four freely selectable memory positions allow quick adjustment to the relevant position.

Functional

The backrest can be moved to a horizontal position; this means that patients can be positioned flat, e.g. for an ultrasound examination, or in a shock position in case of an emergency. The deep gyn. cut-out of 155 mm offers improved access to the examination area. Even if the patient is in a position of pelvic elevation, the rinsing basin stays horizontal.





Central lock

arco-matic®**Optimised use, high level of comfort,
first-class design****Horizontal position**

The backrest can be moved to a horizontal position; this means that patients can be positioned flat, e.g. for an ultrasound examination, or in a shock position in case of an emergency.

Mobility

Level, enclosed areas and the absence of corners and edges make for improved hygienic conditions and easy cleaning. Even the area under the arco-matic® can be cleaned thanks to its mobility (optional), which also enables flexible use of the treatment area and room layout.

Awards

A benchmark for quality and design:
the arco-matic® has won the prestigious reddot Design Award.



arco-matic® **Model overview**

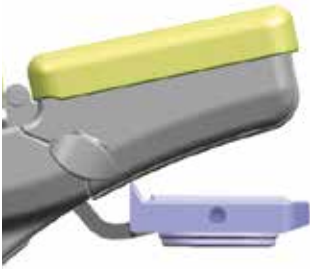
Model No.	Description
114.9600.0	arco-matic® 200 M Examination and treatment chair with memory function for four positions, pelvic elevation and back section adjustable by electromotor, seat height adjustable from 550 mm to 1000 mm by pelvic elevation. Adjustment and memory functions activated by hand and foot control.
114.9700.0	arco-matic® 300 M Examination and treatment chair with memory function for four positions, pelvic elevation, back section and foot supports (accessory) adjustable by electromotor, seat height adjustable from 550 mm to 1000 mm by pelvic elevation. Adjustment and memory functions activated by hand and foot control.



**All basic models are without leg positioning system,
please choose from 4 options! (page 84 - 87)**

Discover our new
product and colour
configurator:





Chrome nickel steel rinsing basin, in plastic frame,
fixed in position with swinging mechanism.



Hand and foot control

- Flexible positioning of the detachable foot control for a stress-free and comfortable working environment
- Saves and retrieves up to 4 memory positions
- Soft start-up of the chair movements
- Control of all motion sequences through foot and hand controls



arco-matic® Standard equipment

Ergonomic upholstery on seat, back rest and head rest, SST rinsing basin, in plastic frame, fixed in position with swinging mechanism, detachable, 325 x 175 x 65 mm (W x D x H) 2.5 l volume. Magazine for holding paper roll of 400 or 500 mm width, max. diam. 140 mm, possibility to cover either the back and seat section or only the seat section with paper. With foot control, base plate with 4 levelling screws, silver grey plastic cladding. Upholstery according to colour chart. Foot support mounts for quick removal or individual swivelling on a horizontal level of foot supports or Göpel-type leg supports with integrated handles (not available for chairs equipped with side rails 101.0463.0).

Electrical connection:

Connection cable: 3 m with mains plug.
Connection: 100 - 240 V, 50/60 Hz, max. 0,94 kW.
Country-specific versions on request.

Weight:

Net weight: approx. 96 kg (114.9600.0)
Net weight: approx. 100 kg (114.9700.0)
Safe working load: 250 kg

Powder coated finish:

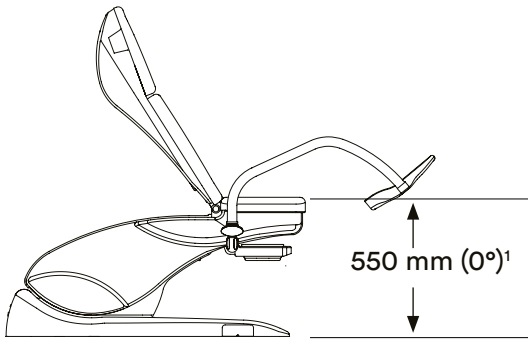
High quality powder coating in RAL 9006 white aluminium.
Gloss finish, extremely knock and scratch resistant. Easy to clean, resistant to disinfectants and environmental conditions.

Upholstery:

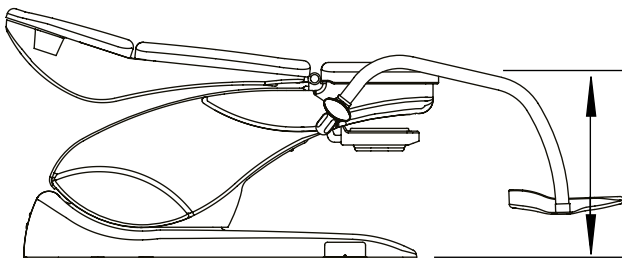
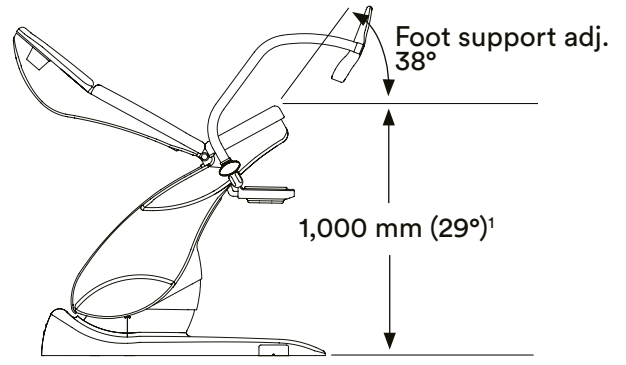
Foam material on support plate, with first-class, hard-wearing leatherette coverings. Colours available as per SCHMITZ colour chart ("classic" and "comfort" quality)

When ordering:

Please state the following when ordering:
Foot/leg support system: see page 84 - 87
Upholstery colour: see colour chart page 152

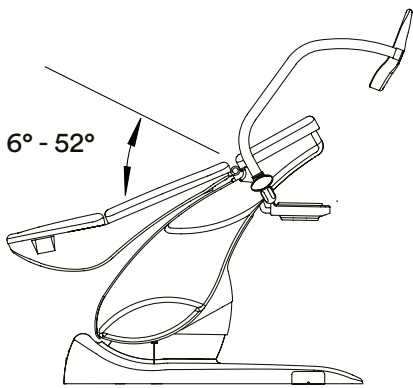


Maximum back section tilt 52°

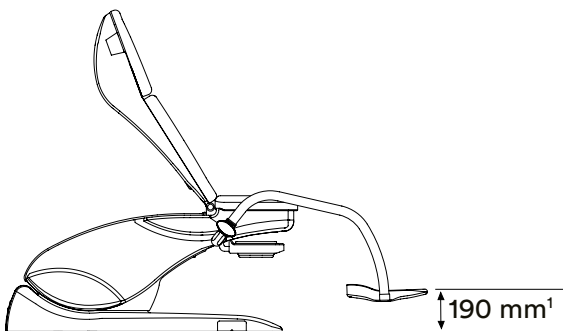


Seat section 0°, back section 6°
height 550 mm¹
Seat section 6°, back section 0°
height 640 mm¹

Reverse Trendelenburg 6°



Trendelenburg 29°



arco-matic® Adjustment functions and dimensions

Dimensions

Base plate	1,135 × 605 mm
Width of upholstery	595 mm (seat section) to 680 mm (back section)
Thickness	50 mm
Safe working load	250 kg



reddot award 2017
winner



Pelvic elevation
114.9600.0 and 114.9700.0



Back section adjustment
114.9600.0 and 114.9700.0



Electromotive adjustment of
foot supports 114.9700.0



arco-matic® **Leg support systems**

Model No. Description



101.0492.0 Foot supports (pair)
with integrated handles, powder coated RAL 9006 white aluminium, can be swivelled to the side, lockable. Plastic covers of transparent material as protection for the foot supports.



101.0493.0 Leg supports, Göpel type, with integrated handle (pair)
with integrated handles, powder coated RAL 9006 white aluminium. Leg supports with integral foam upholstery in silver grey, including fastening strap, rod of stainless steel 18/10.



101.0459.0 Göpel leg support (piece)
integral foam upholstery in silver grey, including fastening strap, rod of stainless steel 18/10, without attachment clamp (requires side rails 101.0463.0 or 101.0464.0 and 101.1670.0 attachment clamps).

101.0463.0 Side rails (pair)
for the seat section, stainless steel 18/10, 25 × 10 mm, 290 mm long.

101.1670.0 Attachment clamp (piece)
revolving, stainless steel 18/10, for installation on side rails.



Positioning with UniLeg leg supports



Positioning with UniLeg leg supports

arco-matic® CE^{MD} Leg support systems

Model No.	Description
101.0369.0	UniLeg leg supports (pair) with peroneal nerve protection height-adjustable and spreadable from foot end, with gas spring support, plastic covering with pad for foot and lower leg, adjustable in all positions, with integrated side rail mount.
101.0678.0	UniLeg leg supports (pair) Same as model 101.0369.0 UniLeg, but without peroneal nerve protector.



Note:

Please note that for the two UniLeg models the price group "E" for surgical accessories applies. The retail discount may therefore be different.

arco-matic® CE^{MD}

Accessories

Model No. Description



101.0473.0 **Leatherette cover (pair)**
for integrated handles of foot supports,
according to colour chart, with zip fastener.



101.0474.0 **Leatherette cover (pair)**
for integrated handles of Göpel-type leg supports,
according to colour chart, with zip fastener.



101.0472.2 **Cushion**
with magnetic attachment, leatherette cover
according to colour chart.



101.0475.0 **Protective covers (pair)**
of transparent plastic material, for foot supports.

Model No. Description



101.0489.0 Paper roll
500 mm wide, for integrated storage space.



101.0477.0 Protective cover
for seat section.



101.0495.0 Rinsing basin with convenient holder
to maintain horizontal position; basin made of chrome
nickel steel with plastic frame 325 × 175 × 65 mm.
2.5 litre volume.

arco-matic® CE^{MD}

Accessories

Model No.	Description
101.0464.0	Side rail (piece) for the seat section, stainless steel 18/10, 25 × 10 mm, 150 mm long.
101.0482.0	2 Power sockets acc. to EN 60601-1. (subsequent fitting not possible)
101.0483.0 (w/o ill.)	2 Power sockets similar to 101.0482.0, but „Swiss type“ socket. (subsequent fitting not possible)
101.0481.0	Socket for potential equalisation
101.0494.0	Colposcope support for Leisegang, Leica, Kaps and Zeiss systems, RHS or LHS fitting. For Kaps and Zeiss systems, please order required mounting tube with attachment from your colposcope supplier. (w/o colposcope)



Model No. Description



101.0487.0 LED Ambient illumination

LED illumination on both sides above the colour panel, choice of 13 different colours, interchangeable thanks to a switch under the colour panels, tone-in-tone colour shade already adapted to the selected pad colour (white LED for brown, black and grey pads).



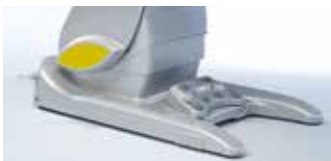
101.0488.0 Colour panel

in line with colour of pads.



101.0469.0 Doctor's foot support

LH mounting, patient's POV.



101.0468.0 Doctor's foot support

(w/o ill.) RH mounting, patient's POV.

101.0466.0 Mobility

2 swivel-type double castors, Ø 75 mm, 4 fixed-type castors Ø 50 mm, electrically conductive, with central lock (retrofittable).

Note:

Must not be used for patient transport!



Central lock



Horizontal positioning with leg plate

arco-matic® **Accessories**

Model No.	Description
-----------	-------------



101.0471.0	<p>Leg plate integrated into the seat frame, extractable, padded surface of soft-touch plastics (TPE), grey. Safe working load: 50 kg. Dimensions of pad: 480 × 373 × 30 mm (W x L x H). (subsequent fitting possible, please contact our service dept.)</p>
-------------------	---



101.0465.0	<p>Side rails for back section (pair) stainless steel 18/10, 25 × 10 mm, at the back section, for attaching accessories, 400 mm long.</p>
-------------------	--

Further accessories such as arm rest and infusion pole
for mounting on the side rails can be found in our
catalogue for OR table accessories, no. 92.



arco und arco-matic® combined with Orbit **A clear design concept** **for gynaecological surgeries**

Whether it's the low access height, making it easier for patients to take their seat, the memory function allowing a quick adjustment to the relevant position or the deep gyn. cut-out, which facilitates the examination – both arco and arco-matic® are designed for the special requirements of daily medical practice.

They are perfectly supplemented by Orbit – the modular supply and disposal concept for gynaecological workplaces, which can be adjusted to every set-up. They thus form part of a particularly functional furnishing concept that is available in many attractive colour schemes.

For further information on our Orbit range, please see pages 126 ff or our website.

Colours

in the illustration:

arco-matic®:

upholstery

raspberry red 103

plastic elements

silver grey

Swivel stool:

upholstery raspberry 103

Orbit:

cabinet bodies

white aluminium RAL 9006

front panels

heather violet RAL 4003

bar handles semicircular

white aluminium RAL 9006

plastic elements

silver grey



arco

High level of comfort, first-class design

Ergonomic

In combination with the individually adjustable head cushion attached magnetically to the chair, the head section cushions, back cushions, and seat cushions have a special convex shape and offer patients pleasant and comfortable seating. With an access height of only 550 mm, even older or physically challenged patients can easily take a seat on the chair, and even at its lowest level, the seat position remains horizontal.

Strong

Designed for a working load of 250 kg, the chair offers great safety and many treatment options even for adipose patients.

Time-saving

Optimised adjustment speed and up to four freely selectable memory positions (depending on model) allow quick adjustment to the relevant position.

Functional

The deep gyn. cut-out of 155 mm offers improved access to the examination area. Even if the patient is in a position of pelvic elevation, the rinsing basin stays horizontal.





arco**Optimised use, high level of comfort,
first-class design****Hygiene**

Enclosed areas and the absence of corners and edges make for improved hygienic conditions and easy cleaning.

LED illumination

Matched to your treatment room, ambient LED lighting creates a pleasant atmosphere.

Work flexibly and save time

with up to four freely selectable memory positions.





arco C^{MD}**Model overview**

Model No. Description



114.8500.0 arco 100 Examination and treatment chair
 electromotive pelvic elevation. Back section attached to seat section at fixed angle (50°), seat height adjustable from 550 mm to 1,000 mm by pelvic elevation. Adjustment functions activated by foot control.

114.8600.0 arco 100 M Examination and treatment chair
 as 114.8500.0 model, however with additional memory function for two positions. Adjustment and memory functions activated by hand and foot control.

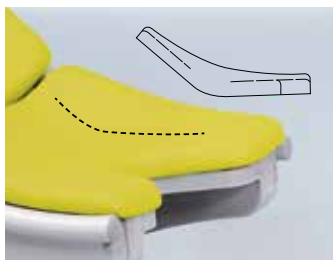


114.8700.0 arco 200 M Examination and treatment chair
 with memory function for four positions, pelvic elevation and foot supports (accessory) adjustable by electromotor, back section attached to seat section at fixed angle (50°), seat height adjustable from 550 mm to 1000 mm by pelvic elevation. Adjustment and memory functions activated by hand and foot control.

All basic models are without leg positioning system, please choose from 4 options! (page 106 - 109)

Discover our new product and colour configurator:





Seat profile formed straight for a relaxed and professional examination position.



Chrome nickel steel rinsing basin, in plastic frame, fixed in position with swinging mechanism.



Hand and foot control

- Flexible positioning of the detachable foot control for a stress-free and comfortable working environment
- Saves and retrieves up to 4 memory positions
- Soft startup of the chair movements
- Control of all motion sequences through foot and hand controls



arco

Standard equipment

Ergonomic upholstery on seat, back rest and head rest, SST rinsing basin, in plastic frame, fixed in position with swinging mechanism, detachable, 325 x 175 x 65 mm (W x D x H) 2.5 l volume. Magazine for holding paper roll of 400 or 500 mm width, max. diam. 140 mm, possibility to cover either the back and seat section or only the seat section with paper. With foot control, base plate with 4 levelling screws, silver-grey plastic cladding, frame powder coated according to our colour chart. Upholstery according to colour chart.

Foot support mounts for quick removal or individual swivelling on a horizontal level of foot supports or Göpel-type leg supports with integrated handles (not available for equipment with side rails).

Electrical connection:

Connection cable 3 m with mains plug. 100 - 240 V, 50/60 Hz, max. 0.94 kW. Country-specific versions on request.

Weight:

Net weight: approx. 96 kg (114.8500.0 and 114.8600.0)
 Net weight: approx. 100 kg (114.8700.0)
 Safe working load: 250 kg

Powder coated finish:

High quality powder coating. Gloss finish, extremely knock and scratch resistant. Easy to clean, resistant to disinfectants and environmental conditions. Colours available as per SCHMITZ colour chart at no extra cost.

Upholstery:

Foam material on support plate, with first-class, hard-wearing leatherette coverings. Colours available as per SCHMITZ colour chart at no extra cost (classic and comfort).

When ordering:

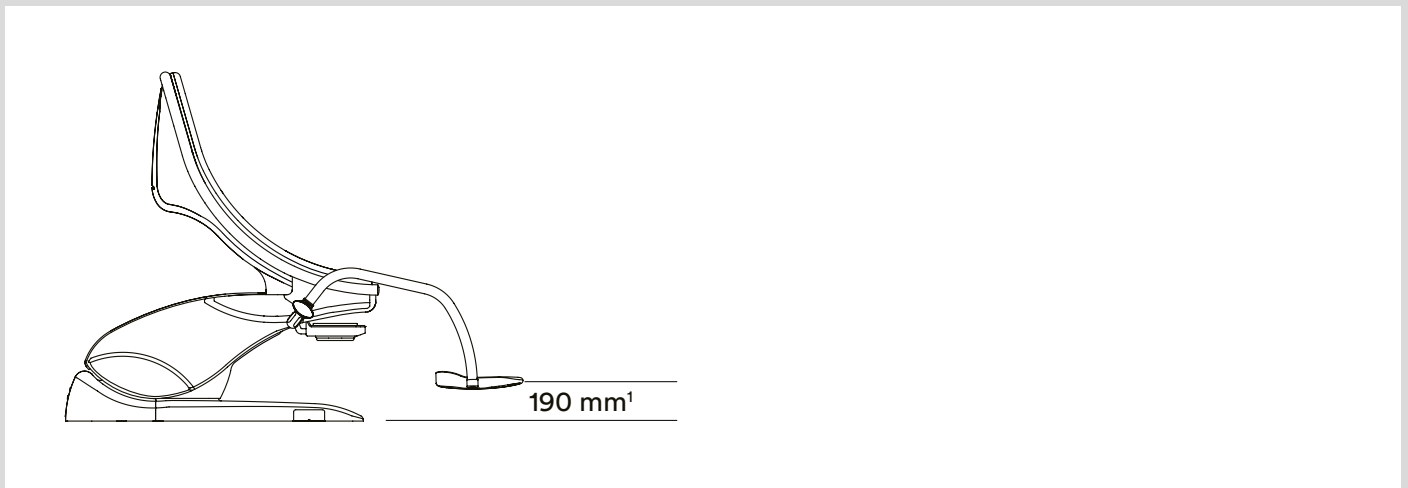
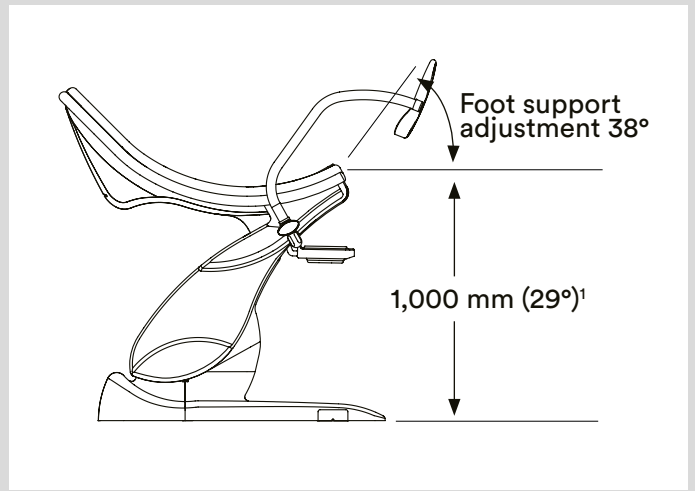
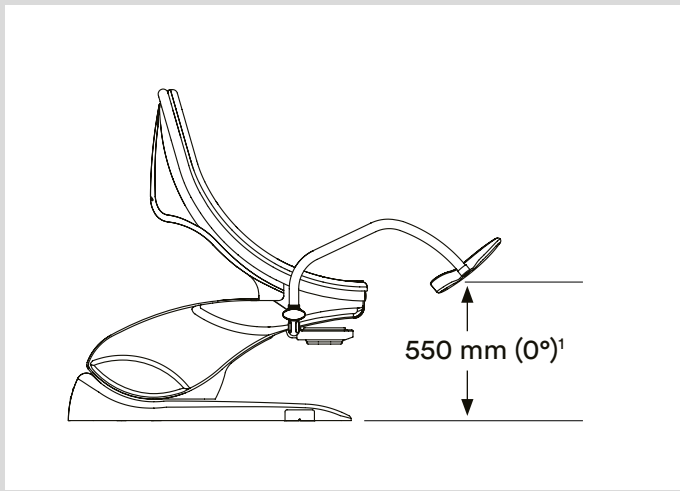
Please state the following when ordering:

Foot/leg support system: see page 106 - 109
 Upholstery colour: see colour chart page 152
 Plastic enamel coating
 for frame: see colour chart page 152

Model No.	Description
-----------	-------------

100.0510.0	Further optional colours acc. to RAL colour chart (w/o ill.)
------------	--

Surcharge



arco

Adjustment functions and dimensions

Dimensions

Base plate	1,135 × 605 mm
Width of upholstery	595 mm (seat section) up to 650 mm (back section)
Thickness	50 mm
Safe working load	250 kg



reddot award 2017
winner



Pelvic elevation
114.8500.0 to 114.8700.0

Electromotive adjustment of foot supports
114.8700.0



arco **Leg support systems**

Model No. Description



101.0456.0 Foot supports (pair)
with integrated handles, powder coated according to colour chart, can be swivelled to the side, lockable. Plastic covers of transparent material as protection for the foot supports.



101.0457.0 Leg supports, Göpel type, with integrated handle (pair)
with integrated handles, powder coated according to colour chart, leg supports with integral foam upholstery in silver-grey, including fastening strap, rod of stainless steel 18/10.



101.0459.0 Göpel leg support (piece)
integral foam upholstery in silver-grey, including fastening strap, rod of stainless steel 18/10, without attachment clamp. (requires side rails 101.0461.0 or 101.0462.0 and 101.1670.0 attachment clamps).



101.1670.0 Attachment clamp (piece)
revolving, stainless steel 18/10, for installation on side rails.

101.0461.0 Side rails (pair)
for the seat section, stainless steel 18/10, 25 x 10 mm, 290 mm long.



Positioning with UniLeg leg supports
(ill. with arco-matic® examination chair)



Positioning with UniLeg leg supports
(ill. with arco-matic® examination chair)

arco 

Leg support systems

Model No.	Description
-----------	-------------



101.0369.0	UniLeg leg supports (pair) with peroneal nerve protection height-adjustable and spreadable from foot end, with gas spring support, plastic covering with pad for foot and lower leg, adjustable in all positions, with integrated side rail mount.
-------------------	--



101.0678.0	UniLeg leg supports (pair) Same as model 101.0369.0 UniLeg, but without peroneal nerve protector.
-------------------	--

Note:

Please note that for the two UniLeg models the price group "E" for surgical accessories applies. The retail discount may therefore be different.

arco C^{MD}

Accessories

Model No. Description



101.0473.0 Leatherette cover (pair)
for integrated handles of foot supports,
according to colour chart, with zip fastener.



101.0474.0 Leatherette cover (pair)
for integrated handles of Göpel-type leg supports,
according to colour chart, with zip fastener.



101.0472.2 Cushion
with magnetic attachment, leatherette cover
according to colour chart.



101.0475.0 Protective covers (pair)
for foot supports.



101.0476.0 Protective cover
of transparent plastic material, for seat section.

Model No. Description



101.0489.0 Paper roll
500 mm wide,
for storing in the integrated compartment.



101.0495.0 Rinsing basin with convenient holder
to maintain horizontal position; basin made of
chrome nickel steel with plastic frame
325 × 175 × 65 mm (W × L × H), 2.5 litre volume.

arco C^{MD}

Accessories

Model No.	Description
101.0462.0	Side rail (piece) for the seat section, stainless steel 18/10, 25 × 10 mm, 150 mm long.
101.0482.0	2 Power sockets acc. to EN 60601-1. (subsequent fitting not possible)
101.0483.0	2 Power sockets (w/o ill.) similar to 101.0482.0, but „Swiss type“ socket. (subsequent fitting not possible)
101.0481.0	Socket for potential equalisation
101.0467.0	Colposcope support for Leisegang, Leica, Kaps and Zeiss systems, RHS or LHS fitting. For Kaps and Zeiss systems, please order required mounting tube with attachment from your colposcope supplier. (w/o colposcope)



Model No. Description



101.0487.0 LED Ambient illumination

LED illumination on both sides above the colour panel, choice of 13 different colours, interchangeable thanks to a switch under the colour panels, tone-in-tone colour shade already adapted to the selected pad colour (white LED for brown, black and grey pads).



101.0488.0 Colour panel

in line with colour of pads.



101.0469.0 Doctor's foot support

LH mounting, patient's POV.

101.0468.0 Doctor's foot support

(w/o ill.) RH mounting, patient's POV.



101.0466.0 Mobility

2 swivel-type double castors, Ø 75 mm, 4 fixed-type castors Ø 50 mm, electrically conductive, with central lock (retrofittable).

Note:

Must not be used for patient transport!



Central lock





arco

Examination and Treatment Chair for Proctology

Excellent design,

most modern technology and a strong price–performance ratio

Electromotive foldable seat section

Safe positioning of the patient

with foldable seat section by electrical shutdown

Electromotive adjustment of

Trendelenburg position and seat section

Ergonomic leg and foot support system

with integrated armrests for a relaxed and professional examination position

Variable fit-out options

with an extensive assortment of accessories

Easy to keep clean and hygienic

due to smooth, closed surfaces

Illuminated graphics display

to indicate all chair functions

Electronic diagnostics function

1 additional programmable key e.g. for triggering of a cold light source with integrated sockets Storage and display of 8 memory positions (treatment positions/physician's selection)

Soft start-up of chair adjusting movements

Control of all adjustments

by foot or hand control



arco**Examination and Treatment Chair for Proctology****Technology and efficiency**

A lower starting height, perfect for getting on easily. Predefined and saved treatment positions allow for quick, efficient handling.

Examination comfort and safety

The folding seat section enables optimal access to the patient and allows the doctor to set the required treatment position. The electric automatic switch-off feature during positioning supports safe patient positioning.

Large adjustable range

via electromotive pelvic elevation to shock position

Choice of leg support systems

- with foot rests 101.4560.1.
- with Göpel-type leg supports 101.4580.0.
- with Ergo-Steps 101.4570.0



arco proctology

Standard equipment

Ergonomic upholstery on seat, back rest and head. Foot support mounts for quick removal or individual swivelling on a horizontal level of foot supports or Göpel-type leg supports with integrated handles. Storage plate with integrated pull-out, rinsing basin of SST 18/10, storing space for paper roll up to 400 mm width, two integrated power sockets, acc. to EN 60601-1, (activation of one socket by manual control unit). Foot control, base plate with 4 levelling screws, plastic cladding, silver-grey, column and frame powder coated according to SCHMITZ colour chart. Upholstery according to SCHMITZ colour chart.

Important:

Automatic security stop with foldable seat section in Trendelenburg position.

Electrical connection:

3 m connection cable with mains plug.

Connection: 230 V, 50 Hz, 0.3 kW.

Country specific versions available upon request.

Weight:

Net weight: approx. 121 kg

Safe working load: 180 kg

Powder coated finish:

High quality multilayer gloss paint of extreme knock and scratch resistance.

Easy to clean and to disinfect. Resistant to climatic conditions. Available in SCHMITZ colours acc. to colour chart (without surcharge).

Further optional colours acc. to RAL colour chart at extra charge.

Upholstery:

High quality, hard wearing foam rubber with leatherette cover.

Available in SCHMITZ colours acc. to colour chart without surcharge (classic and comfort qualities).

When ordering:

Please state the following when ordering:

Foot/leg support system: see page 124

Upholstery colour: see colour chart page 152

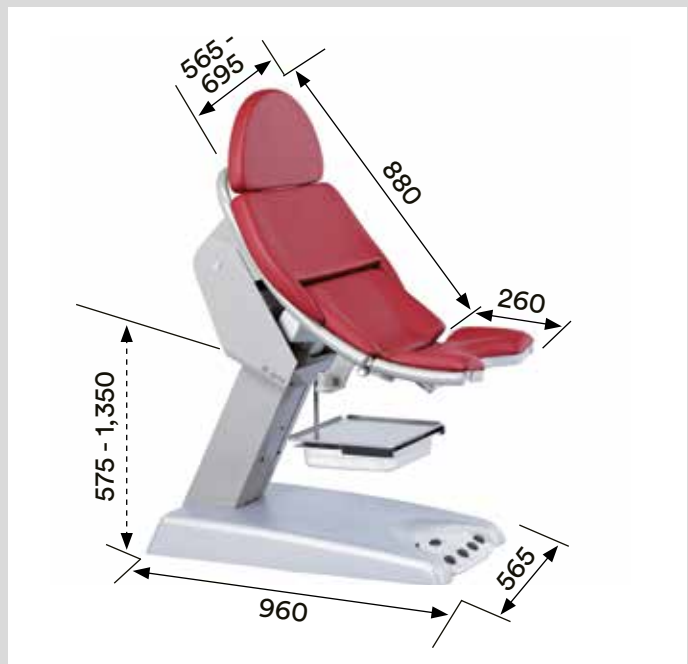
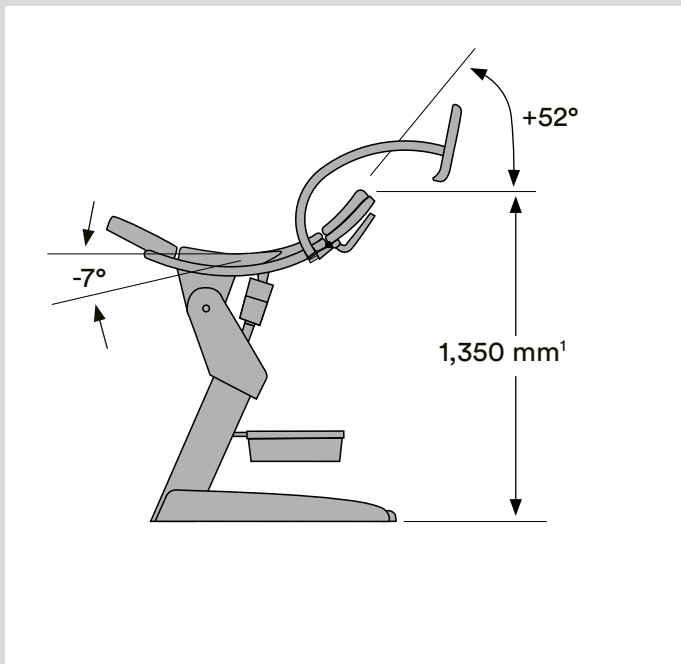
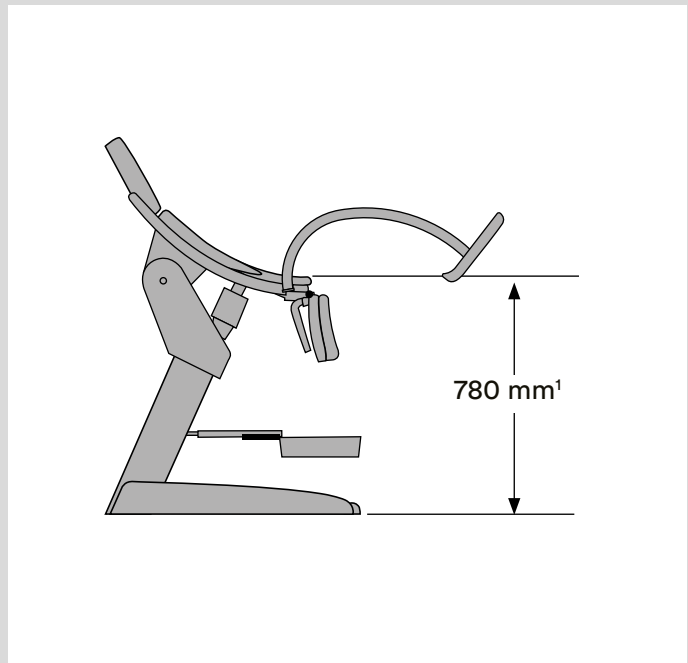
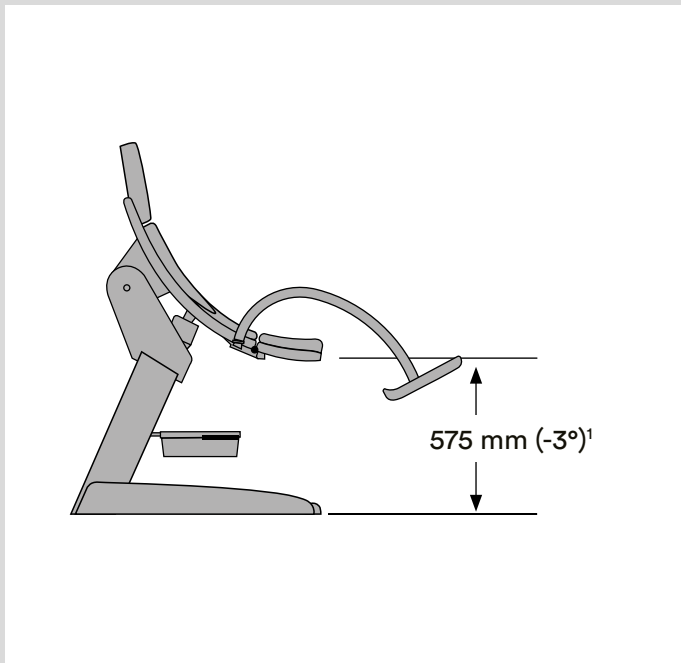
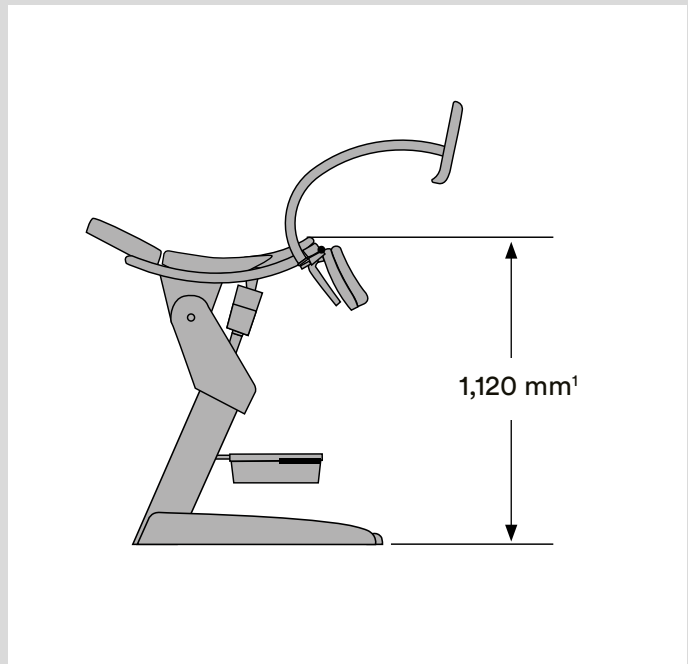
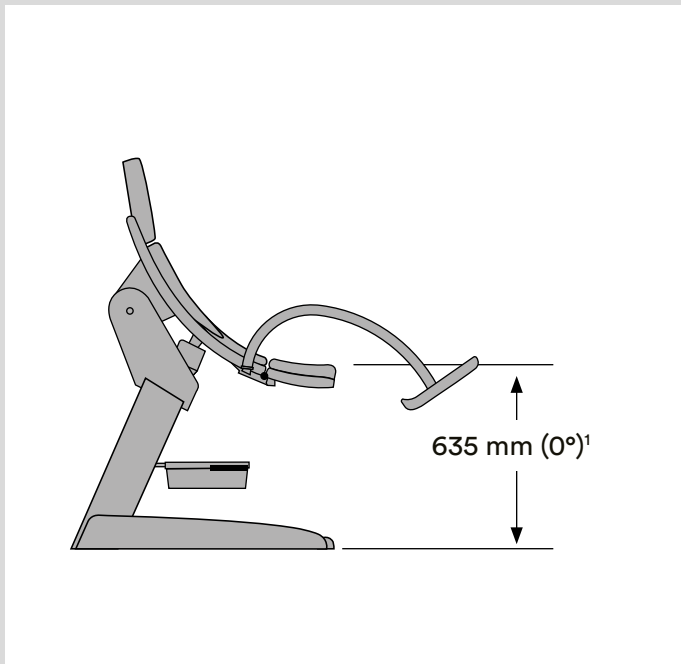
Plastic enamel coating

for frame: see colour chart page 152

Model No.	Description
-----------	-------------

100.0510.0	Further optional colours acc. o RAL colour chart (w/o ill.)
------------	---

Surcharge



Design and dimensions are subject to change.

¹ in connection with mobility 101.0223.0 please add 75 mm.

arco proctology

Adjustment functions and dimensions

Dimensions

Base plate	960 × 565 mm
Upholstery width	565 mm (seat section) up to 695 mm (back section)



arco proctology Model overview

Model No.	Description
114.6600.1	Examination and Treatment Chair Electromotive Trendelenburg position and foldable seat section. Memory control for 8 positionings. Activation of all functions by means of foot and hand control.

All basic models are without leg positioning system, please choose from 3 options! (page 124)

Discover the arco
for proctology:



arco proctology C^{MD}

Leg support systems

Model No. Description



101.4560.1 Foot support (pair)
with integrated, powder coated handlebars, can be swivelled and locked. With one pair of plastic covers.



101.4580.0 Göpel leg support (pair)
with integrated, powder coated handlebars, integral foam pads in silver-grey, with straps, stainless steel rod 18/10.



101.4570.0 Ergo-Steps (pair)
Leg support system with adjustable heel/calf troughs, grey plastic, can be swivelled to the side, integrated handles, circular tube powder-coated to match the exam. chair.



101.4850.0 Leatherette covers (pair)
for handles (101.4560.1 and 101.4570.0) with zipper, acc. to colour chart.



101.4860.0 Leatherette covers (pair)
for handles (101.4580.0), with zipper, acc. to colour chart.



Model No. Description

101.0223.0 Mobility

4 double castors, Ø 75 mm,
lockable and electrically conductive.
(subsequent fitting possible)

Note:

may not be used for patient transport!



101.3730.0 Head cushion

incl. Velcro, leatherette cover acc. to colour chart.



101.4800.1 Plastic covers (pair)

of transparent material, to protect the foot supports.



100.1760.0 Paper roll

400 mm wide, for placing into the integrated
storing space with removable back upholstery.



Orbit

The modular Supply and Disposal System for Gynaecology and Proctology workplaces

Patient comfort comes first

Preheated instruments guarantee a high level of patient comfort. The preheating technology developed by SCHMITZ enables custom temperature adjustment.

Mobility and flexibility

9 individual, mobile modules, which can be arranged and rearranged just as you need them. Additions and changes to the module configuration can be made whenever needed. The modules can easily be integrated even into an existing setup.





Orbit

Orbit helps you keep everything under control.

Easy cleaning and disinfection

Removable panels and closed surfaces enable rapid, complete and straightforward cleaning – a new standard in hygiene.

Mobility and flexibility

100 % unrestricted mobility is guaranteed – adapted to your daily workflows.

Orbit solves your disposal problem

A specially equipped module ensures hassle-free disposal of contaminated instruments and used materials.



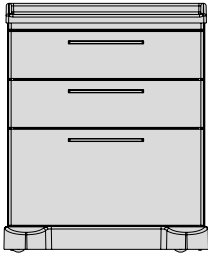




Orbit

Dispensing and disposal modules, mobile

Model No. Description

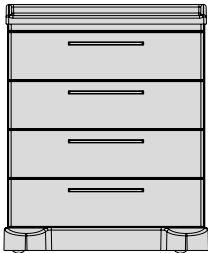


426.0010.0 Dispensing module

dimensions: 625 × 760 × 530 mm (W x H x D)

2 drawers Type 6 D, 1 drawer Type 6 G.

A preheating element model no. 401.0401.1 (accessory)
can be installed in the two drawers Type 6 D.

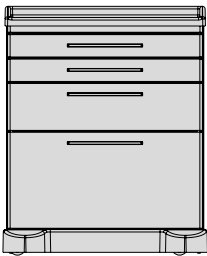


426.0020.0 Dispensing module

dimensions: 625 × 760 × 530 mm (W x H x D)

4 drawers Type 6 D.

A preheating element model no. 401.0401.1 (accessory)
can be installed in the top two drawers Type 6 D.



Model No. Description

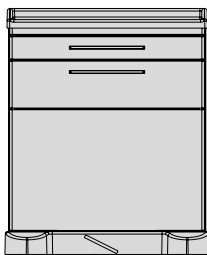
426.0030.0 Dispensing module

dimensions: 625 × 760 × 530 mm (W x H x D)

2 drawers Type 6 B, 1 drawer Type 6 D,

1 drawer Type 6 G.

A preheating element model no. 401.0401.1 (accessory)
can be installed in the drawer Type 6 D.



426.0040.0 Dispensing and disposal module

dimensions: 625 × 760 × 530 mm (W x H x D)

1 drawer Type 6 B, 1 drawer Type 6 D, 1 refuse drawer,

electromotive opening by tapping on the panel,

mechanic closing, with removable SST container,

12 l cap., (for 5 litres of liquid), plastic basket,

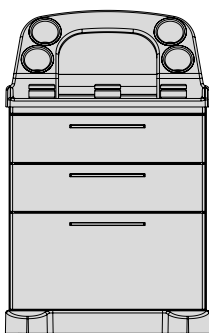
to accommodate approx. 15 specula and plastic refuse
container, 8 l cap., pedal for central locking of castors.

A preheating element model no. 401.0401.1 (accessory)
can be installed in the drawer Type 6 D.

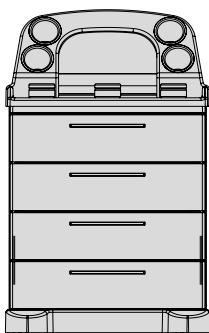
Orbit

Dispensing and disposal modules, mobile

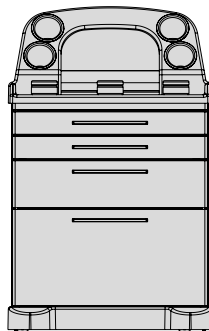
Model No. Description



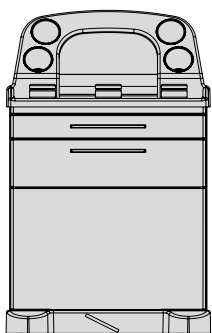
426.5010.0 Dispensing module
 dimensions: 625 × 995 × 530 mm (W x H x D)
 with moulded top made of ABS, silver-grey colour,
 with treatment set accommodating instruments,
 medicines, disposables etc., 2 drawers Type 6 D,
 1 drawer Type 6 G.
 A preheating element model no. 401.0401.1 (accessory)
 can be installed in the two drawers Type 6 D.



426.5020.0 Dispensing module
 dimensions: 625 × 995 × 530 mm (W x H x D)
 with moulded top made of ABS, silver-grey colour,
 with treatment set accommodating instruments,
 medicines, disposables etc., 4 drawers Type 6 D.
 A preheating element model no. 401.0401.1 (accessory)
 can be installed in the top two drawers Type 6 D.

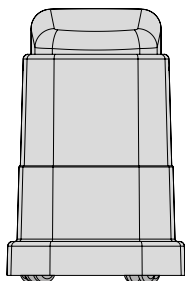


426.5030.0 Dispensing module
 dimensions: 625 × 995 × 530 mm (W x H x D)
 with moulded top made of ABS, silver-grey colour,
 with treatment set accommodating instruments,
 medicines, disposables etc., 2 drawers Type 6 B,
 1 drawer Type 6 D, 1 drawer Type 6 G.
 A preheating element model no. 401.0401.1 (accessory)
 can be installed in the drawer Type 6 D.



Model No. Description

426.5040.0 Dispensing and disposal module
 dimensions: 625 × 995 × 530 mm (W x H x D)
 with moulded top made of ABS, silver-grey colour,
 with treatment set accommodating instruments,
 medicines, disposables etc., 1 drawer Type 6 B,
 1 drawer Type 6 D, 1 refuse drawer, electromotive
 opening by tapping on the panel, mechanic closing,
 with removable SST container, 12 l cap., (for 5 litres
 of liquid), plastic basket to accommodate approx.
 15 specula and plastic refuse container, 8 l cap., pedal
 for central locking of castors.
 A preheating element model no. 401.0401.1 (accessory)
 can be installed in the drawer Type 6 D.



427.0010.0 Disposal module
 dimensions: 365 × 565 × 465 (W x H x D)
 Mobile, 4 pc. twin plastic castors diam. 50 mm,
 sensor lid made of plastic, colour black,
 casing made of ABS, silver-grey colour,
 removable plastic refuse container, 20 l cap.

401.0801.0 Special colour for cabinet body
 according to SCHMITZ colour chart, surcharge



Orbit

Accessories for dispensing and disposal modules

Model No. Description



401.0401.1 Preheating element
according to Low Voltage Directive 2014/35/EU for drawer Type 6 D. Setting and monitoring of temperature via display, adjustable up to max. 40 °C /104 °F, for instruments (e.g. specula).
Input supply voltage 100 - 240 V, 50/60 Hz, average power consumption 20 Watt, cable with mains plug, approx. 5 m long.

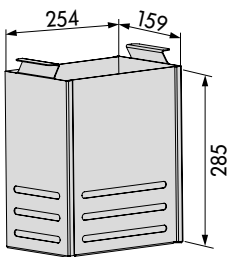


401.0023.0 Holder for ultrasound gel
made of SST, 320 × 165 mm (L x W).
For warming the ultrasound gel fluid in the drawer with preheating element, suitable for up to 4 bottles of gel.

401.0450.0 Lid
(w/o ill.) 325 × 265 mm, SST, to cover the 12 l SST container, 12 l cap., during transport.

401.0451.0 Lid
(w/o ill.) 297 × 204 mm, made of plastic, to cover the plastic refuse container, 18 or 20 l cap., during transport.

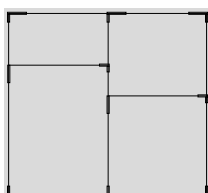
401.0460.0 Basket
SST with carrying handles, for 5 litres of liquid, to accommodate approx. 15 specula, for disposal module 427.0010.0.



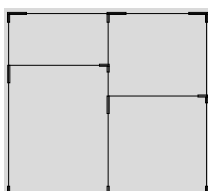
Orbit

Accessories for dispensing and disposal modules

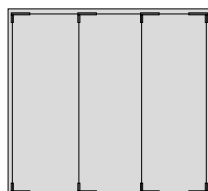
Model No. Description



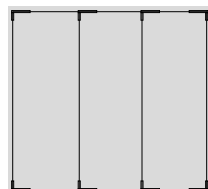
400.0505.0 Drawer organizer
 503 × 381 × 55 mm (W x D x H),
 two rows, for drawer Type 6 D, disassembled, anodized aluminium frame, comprising: 1 pc. longitudinal divider made of SAN and 2 pc. lateral dividers made of SAN.
 (does not fit into a drawer with integrated preheating 401.0401.1!)



400.0506.0 Drawer organizer
 498 × 376 × 35 mm (W x D x H),
 two rows, for drawer Type 6 B, disassembled, anodized aluminium frame, comprising: 1 pc. longitudinal divider made of SAN and 2 pc. lateral dividers made of SAN.



400.0507.0 Drawer organizer
 498 × 376 × 55 mm (W x D x H),
 three rows, for drawer Type 6 D, disassembled, anodized aluminium frame, comprising: 2 pc. longitudinal dividers made of SAN.
 (does not fit into a drawer with integrated preheating 401.0401.1!)



400.0508.0 Drawer organizer
 498 × 376 × 35 mm (W x D x H),
 three rows, for drawer Type 6 B, disassembled, anodized aluminium frame, comprising: 2 pc. longitudinal dividers made of SAN.



Model No. Description

401.0001.0 Side rail
aluminium, 25 × 10 mm, with fastening pieces,
safe working load up to 20 kg.
Effective width: 300 mm



401.0002.0 Swivel-mounted tray, square
230 × 190 × 40 mm (W × D × H)
18/10 SST 18/10 with holder and plastic rail clamp.
Effective width: 220 mm.



401.0003.0 Swivel-mounted tray, round
Ø 220 × 40 mm (diam. × H)
18/10 SST 18/10 with holder and plastic rail clamp.
Effective width: 220 mm.



401.0004.0 Tray
355 × 320 × 65 mm (W × D × H)
SST 18/10, with steel holder,
plastic-coated white aluminium RAL 9006/SST 18/10.
Effective width: 380 mm.



401.0005.0 Holder
290 × 215 × 25 mm (W × D × H)
of steel, powder-coated white aluminium (RAL 9006),
plastic rail clamp, for plastic trays 401.0006.0 and
401.0007.0.
Effective width: 300 mm.

401.0006.0 Plastic tray
225 × 300 × 130 mm (W × D × H)
of polypropylene, with closed lid.

401.0007.0 Plastic tray
(w/o ill.) 225 × 300 × 130 mm (W × D × H)
of polypropylene, with opening in lid.

Orbit

Accessories for dispensing and disposal modules

Model No. Description



401.0008.0 12 l bucket
Ø 310 × 270 mm (diam. x H)
SST 18/10 bowl with steel holder, powder-coated white aluminium (RAL 9006), with plastic rail clamp.
Effective width: 330 mm.

401.0009.0 Lid
made of 18/10 SST 18/10, for 12 l bucket.



401.0010.0 5 l bowl
Ø 330 × 140 mm (diam. x H)
SST 18/10 bucket with steel holder, powder-coated white aluminium (RAL 9006), with plastic rail clamp.
Effective width: 330 mm.

Model No.	Description
-----------	-------------



401.0011.0	Waste bag holder
-------------------	-------------------------

	265 × 205 × 425 mm (W x D x H)
--	--------------------------------

	wire Rilsan coated, with plastic lid for 15 l waste bags, steel holder, powder coated white aluminium RAL 9006, plastic rail clamp, incl. 1 roll of waste bags 401.0013.0. Effective width: 300 mm.
--	---



401.0012.0	Waste bag holder
-------------------	-------------------------

	280 × 110 × 410 mm (W x D x H)
--	--------------------------------

	powder-coated white aluminium (RAL 9006) sheet steel, with 2 plastic rail clamps, for 15 l waste bags, incl. 1 roll of waste bags 401.0013.0. Effective width: 300 mm.
--	--

401.0013.0	Roll of spare bags
-------------------	---------------------------

(w/o ill.)	15 litre, in rolls, 48 pcs, for 401.0011.0 and 401.0012.0
------------	---



401.0014.0	Refuse container
-------------------	-------------------------

	420 × 175 × 410 mm (W x D x H)
--	--------------------------------

	powder-coated white aluminium RAL 9006 sheet steel, volume 18 litres, with 2 plastic rail clamps. Protruding lid can be opened by knee. Effective width: 420 mm.
--	--

Orbit

Accessories for dispensing and disposal modules

Model No.	Description
-----------	-------------



401.0015.0 Disinfectant dispenser

Height adjustable, for mounting of 500 ml container, with fastening plate made of powder-coated white aluminium RAL 9006 steel plate, main tube 500 mm in length and plastic rail clamp.
Effective width: 100 mm.

401.0016.0 Disinfectant dispenser

Height adjustable, for mounting of 1,000 ml container, with fastening plate made of powder-coated white aluminium RAL 9006 steel plate, main tube 500 mm in length and plastic rail clamp.
Effective width: 100 mm.



401.0017.0 Disinfectant dispenser

For mounting of 500 ml container, with fastening plate made of powder-coated white aluminium RAL 9006 steel plate and plastic rail clamp.
Effective width: 100 mm.

401.0018.0 Disinfectant dispenser

For mounting of 1,000 ml container, with fastening plate made of powder-coated white aluminium RAL 9006 steel plate and plastic rail clamp.
Effective width: 100 mm.



Model No. Description

401.0019.0 Drip-catcher
Made of SST 18/10,
for 500 ml disinfection dispenser.

401.0020.0 Drip-catcher
Made of SST 18/10,
for 1,000 ml disinfection dispenser.



401.0021.0 Holder for gloves dispenser
100 × 150 to 280 × 35 mm (W x D x H)
adjustable, for all common disposable glove cartons,
made of steel powder-coated white aluminium
(RAL 9006), with plastic rail clamp.
Effective width: 100 to approx. 165 mm
depending on the carton size.



401.0022.0 Storage shelf
400 × 500 × 25 mm (W x D x H)
made of plastic, silver grey, fold-down,
(2 side rails 401.0001.0 required),
safe working load: 20 kg.



Orbit

Model and material description



Cabinet bodies

self-supporting construction made of electrolytically galvanized and phosphatized sheet steel, sandwich construction, double-skinned execution, single-skinned rear panel, sound damped and thermally insulated high rigidity, smooth inner and outer surfaces.



Drawer fronts

Exchangeable front panels made of electrolytically galvanized and phosphatized sheet steel, with rounded edges, sound damped and thermally insulated, circumferential silicone sealing profile.



Drawers

drawers completely made of electrolytically galvanized and phosphatized sheet steel, powder-coated in white aluminium RAL 9006. Covered, sound-damped drawer rails with full pull-out, automatic pull-in function and Airmatic shock absorber system, high retention force, tool-free drawer removal. Safe working load: 20 kg.

Interior drawer dimensions (Usable size W x H x D)

Type 6 B: 504 x 51 x 381 mm

Type 6 D: 504 x 126 x 381 mm

Type 6 G: 504 x 276 x 381 mm

Orbit

Model and material description



Drawer handles

semicircular or angular handle, made of high-pressure diecast zinc, hole spacing 192 mm. The surface is resistant to chemicals, easy to clean and to disinfect. Drawer handles matte chromium-plated or with a polyester powder coating according to the drawer front or individually according to SCHMITZ colour chart.



Castors

Modules with 4 double castors Ø 50 mm, el. conductive.
Chassis cover made of ABS, silver-grey colour.



Worktop

Seamless worktop made of ABS, silver-grey colour, scratch resistant and disinfectant proof, profile edge on three sides, sealed reverse side.



Electromotive opening by tapping on the panel.

Mechanic closing, with removable 12 l SST container (for 5 l of liquid) and plastic sieve.



Built-in heating plate for preheating of specula.

Temperature setting and monitoring via display, adjustable up to max. 40 °C / 104 °F.



Disposal module 427.0010.0

Electromotive opening through sensor technology. Removable top, removable 20 l plastic container.

Powder coated finish

A high quality polyester powder coating, a high gloss surface, extreme shock and scratch resistance, easy to clean, disinfectant-proof and climate resistant.

Standard colours of cabinet body

grey-white RAL 9002 or white aluminium RAL 9006 or grey aluminium RAL 9007.

Special colours for cabinet body

according to SCHMITZ colour chart on page 152 at a surcharge.

For drawer fronts and handles

all colours according to SCHMITZ colour chart on page 152 are available without surcharge. Further RAL colours are available upon request.









Illustrated colours:

arco:

Upholstery agave green 109

Plastic enamel coating

white aluminium RAL 9006

Plastic elements silver grey

Examination seat:

Upholstery agave green 109

Orbit:

Cabinet bodies white aluminium

RAL 9006

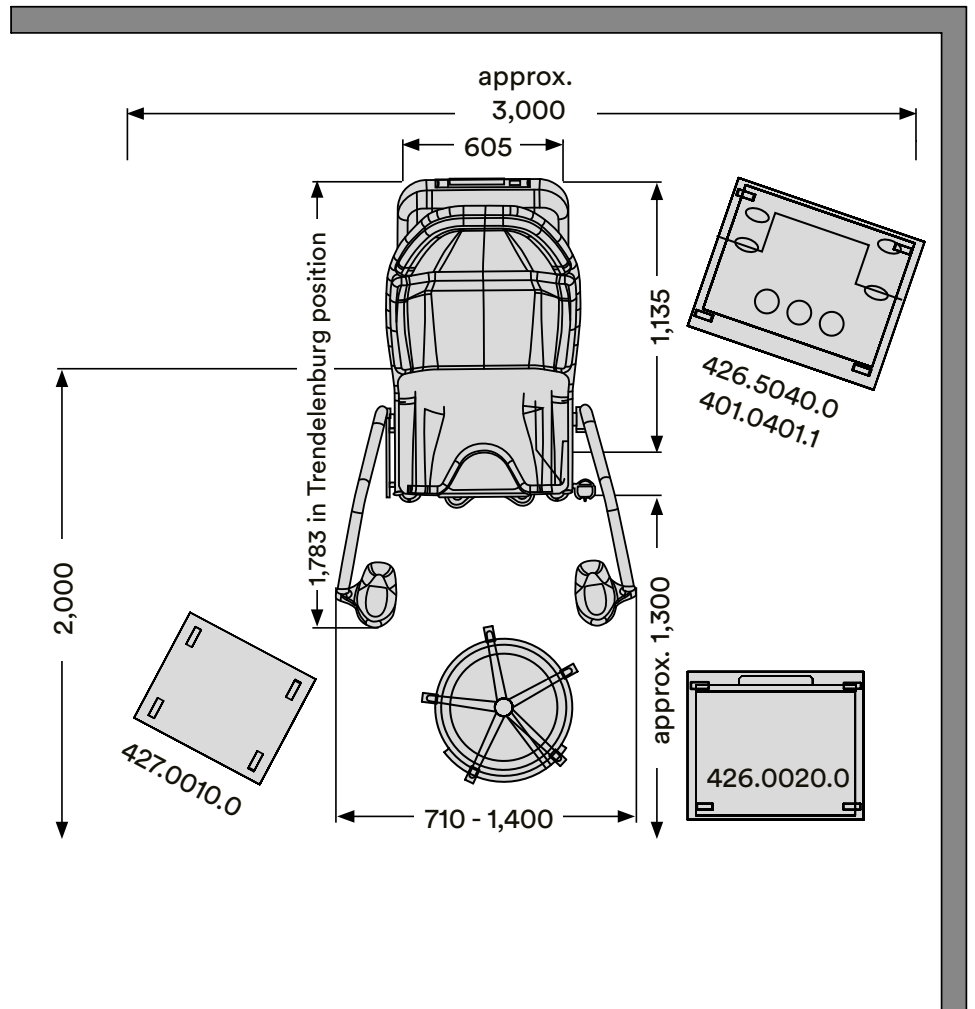
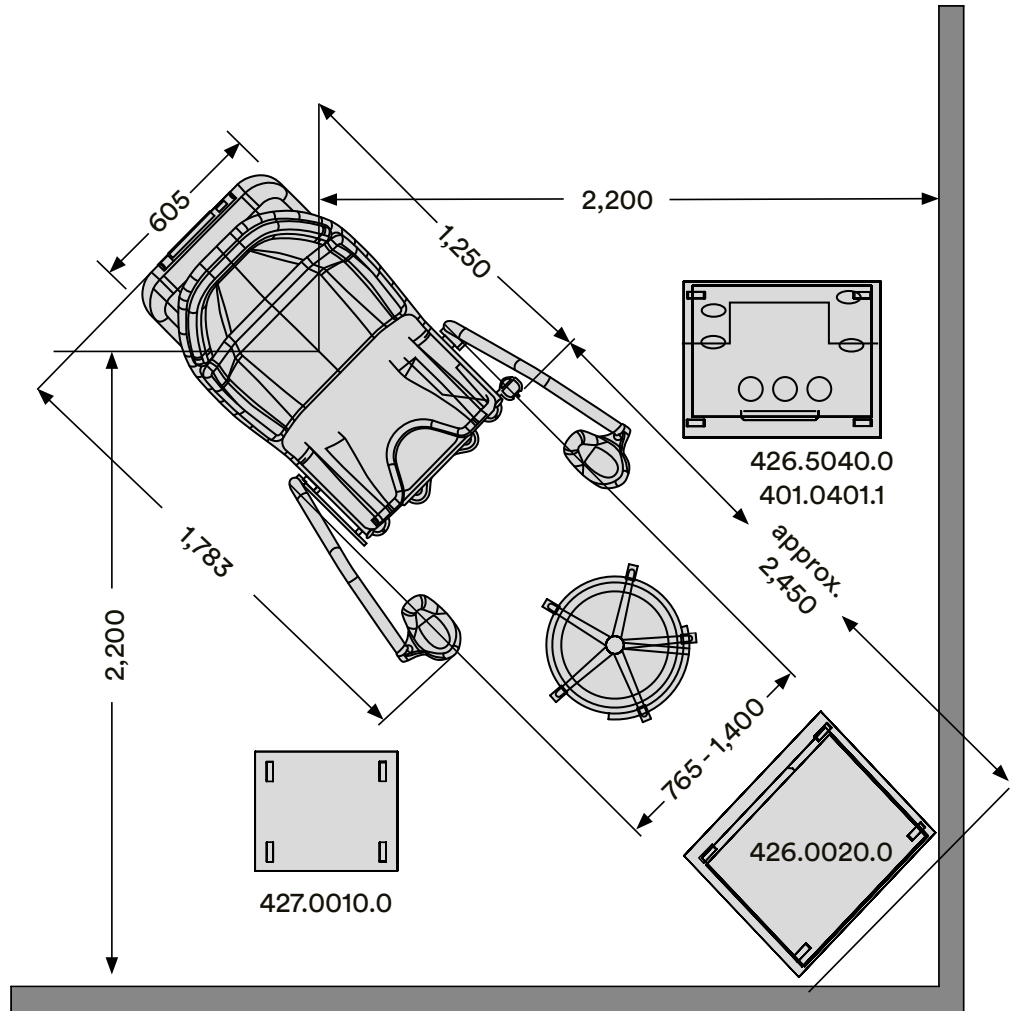
Front panels leaf green

RAL 1206050

Handles semicircular

lemon green RAL 1008060

Plastic elements silver grey



Orbit design examples

For chairs with earth connection, the cabling must be within the range (1,135 × 605 mm) of the floor space required. The gynaecology chair can be placed and moved within this area.

Leatherette comfort



gold yellow 86



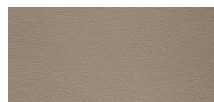
agave green 109



white 53



gold orange 106



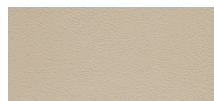
milky coffee 102



silver grey 55



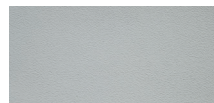
red carmine 92



sand beige 101



ocean 52

raspberry red
103

stone grey 96



black 57



ice blue 108



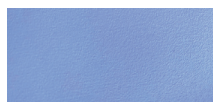
shale grey 97

caribbean blue
82

titan grey 91



atlantic blue 83

blossom white
84lavender purple
107

Leatherette Powder coated finishes classic

grey white
RAL 9002colza yellow
RAL 1009050⁴light green
RAL 6027pure white
RAL 9010signal yellow
RAL 1003lemon green
RAL 1008060⁴alabaster grey
RAL 0007500⁴pastel orange
RAL 2003leaf green
RAL 1206050⁴light grey
RAL 7035light ivory
RAL 1015white blue
RAL 2408015⁴anthracite grey
RAL 7016sahara beige
RAL 0607030⁴light blue
RAL 2606030⁴jet black
RAL 9005antique pink
RAL 3014sapphire blue
RAL 5003white aluminium
RAL 9006heather violet
RAL 4003grey aluminium
RAL 9007vermilion
RAL 2002Bar handles
also available
matt chrome
plated.

Plastic elements



silver-grey



antimicrobial

These colours have antimicrobial properties

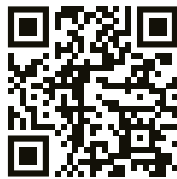
Colours for upholsteries and plastic enamel coatings

Discover new, colourful worlds

With a total of 19 upholstery colours and 22 colours for powder-coated finish, you have many options to create colourful highlights in your surgery.

Whether muted or cheerful, classic or modern, elegant or extravagant – with our tool, you will certainly find the right colour for you in no time at all.

We would be delighted to advise you – please feel free to contact us.



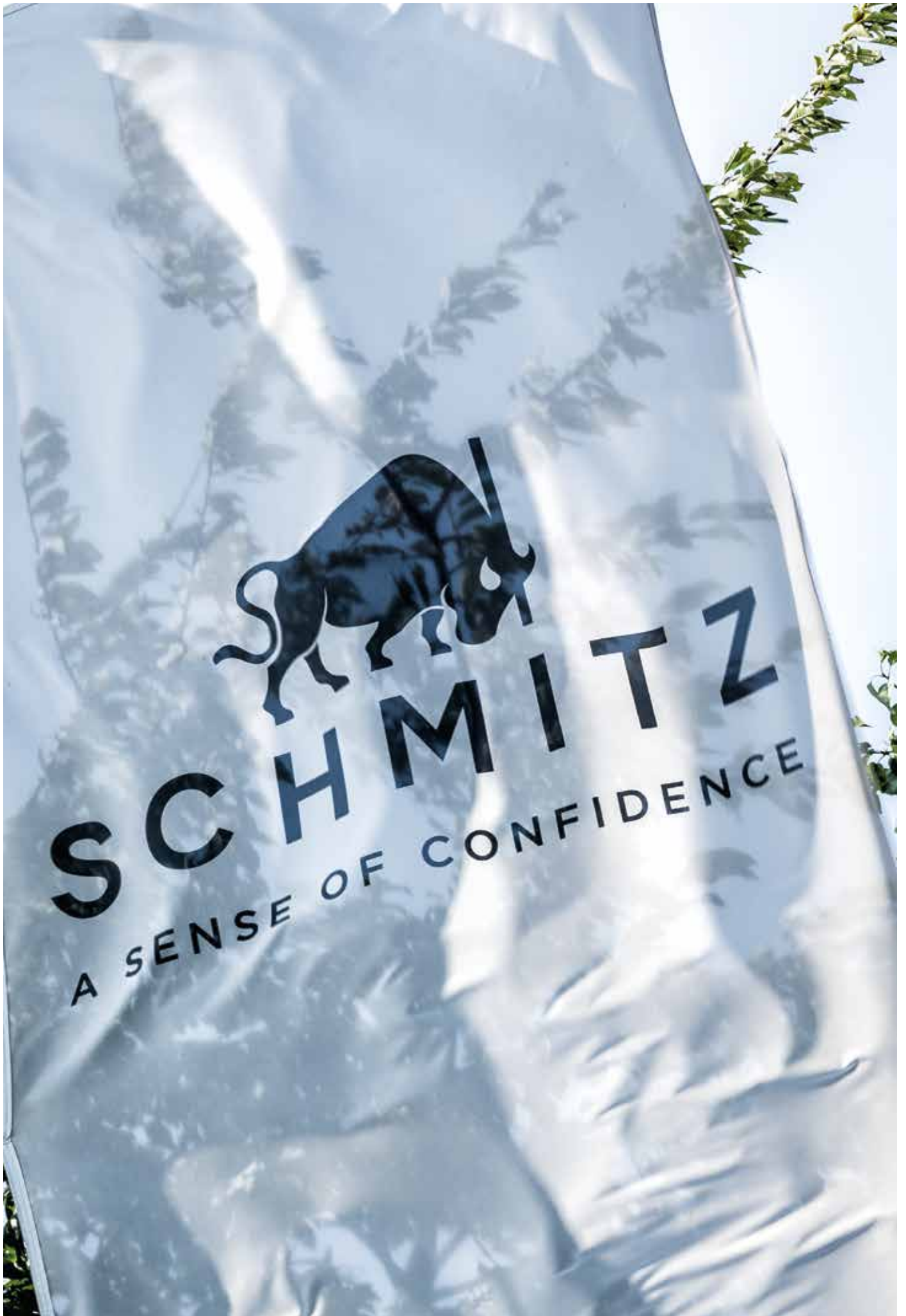
Be inspired:
www.schmitz-soehne.com

Accessories for upholstery cleaning

We recommend:

Model No.	Description
2019878 (w/o ill.)	Special cleaner for leatherette 500 ml spray bottle (packaging unit 3 bottles)
2026973 (w/o ill.)	Cleaning set for leatherette 1 × 500 ml spray bottle and a brush

Please refer to our separate operating manual for upholsteries for detailed information on cleaning and disinfection of upholsteries.



Contact

SCHMITZ u. Söhne
GmbH & Co. KG
Zum Ostenfeld 29
58739 Wickede (Ruhr)

P. O. Box 14 61
58734 Wickede (Ruhr)
Germany

T +49 (0)2377 84 0
F +49 (0)2377 84 162
zentrale@schmitz-soehne.de

Exports department:
T +49 (0)2377 84 0
F +49 (0)2377 84 135
export@schmitz-soehne.de

Technical service, hotline:
T +49 (0)2377 84 549
F +49 (0)2377 84 210
service@schmitz-soehne.de

Information on
our establishments
worldwide can be found
on our website:

www.schmitz-soehne.com



All devices marked with the CE-MD symbol, in combination with our accessories, meet the requirements of Medical Device Regulation 2017/745/EU (MDR) as well as the Medical Device Amendment Act and are risk class 1 medical devices.



All devices marked with the simple CE symbol meet the requirements of low-voltage directive 2014/35/EU as well as the regulation on electrical equipment.

Please also refer to the instructions for use, for more details about the intended use!



* This product is an article of merchandise, sold under OEM brand name.

Our goods and services are to be understood ex works. Deliveries are effected via our authorized partners or branch offices. The company reserves the right to alter the design, construction, dimensions and finish of its products without notice. All relevant dimensions and weights are to be understood as approximate information/data. Due to technical reasons colour deviations are possible. The articles shown in this catalogue are not authorized for sale in the United States.

Nominal charge 3.00 Euro.