



Your partner
for gynaecology, video colposcopy,
urology and proctology



A Sense of Company	05	
A Sense of Care	07	
SCHMITZ – worldwide	08	
medi-matic® Examination and treatment chairs for gynaecology and rectoscopy/proctology	10	
medi-matic® urology Examination and treatment chairs for urology/urodynamics	52	
vidan®2 The integrated or mobile Full HD video colposcope	62	
arco-matic® Examination and treatment chairs for gynaecology	90	
arco Examination and treatment chairs for gynaecology	112	
arco proctology Examination and treatment chair for proctology	130	
Orbit The equipment concept for gynaecology and proctology	142	
Colours for powder coating, upholsteries and plastic elements	168	
Contact	171	



A Sense of Company

With more than 90 years of experience, SCHMITZ is one of the leading international manufacturers of medical products.

A family-owned business with a living tradition. Our typical employee has been with the company for some 18 years, proof of how strongly they identify with our values and philosophy.

In 2012, the company's management passed to Friedrich and Matthias Schmitz, the fourth generation of the family.

We are proud to be located in Germany and are deeply rooted in our home region. We develop and manufacture here.

90% of our suppliers are from Germany, of which 60% are from the local region.

Made in Germany



'The transition to the next generation is always something special.'



A Sense of Care

We understand the services which are our lifeblood, and aim to achieve maximum customer satisfaction. From consulting through planning to installation.

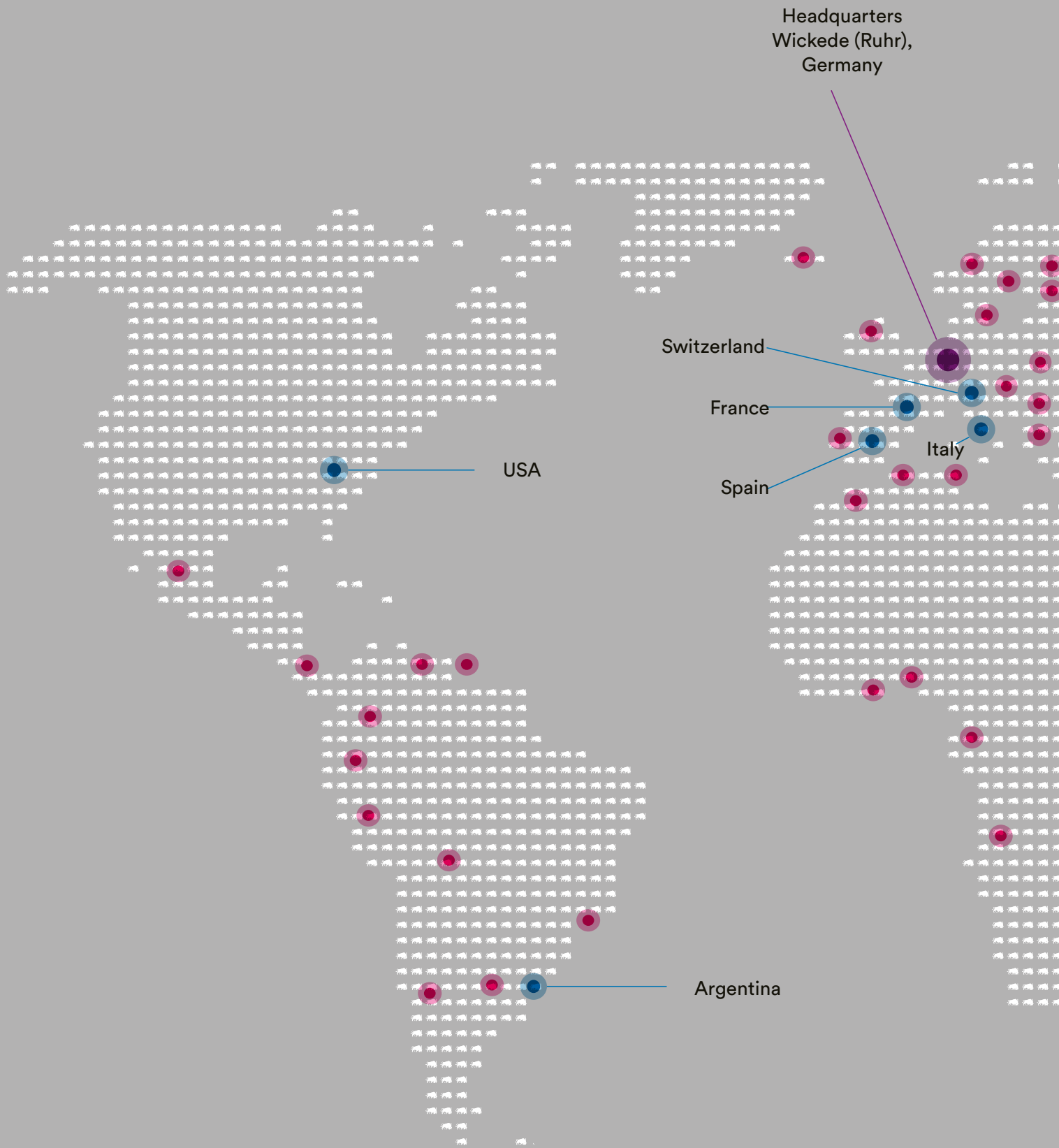
Cost-effectiveness through longevity is what you can expect from us.

With a well thought-out service concept and comprehensive support, SCHMITZ works alongside you as partner from start to finish.

Technical Customer Service

T +49 (0)2377 84 549

service@schmitz-soehne.de



● Over 80 international trade partners

● Sales offices

SCHMITZ – represented worldwide





medi-matic®

Cutting-edge technology and a passion for design

Functionality and comfort combined with an elegant design make the medi-matic® the absolute best in its class.

Developed with gynaecologists for gynaecologists to set new standards in daily medical practice and clinical use.

Expect only the best

Designated a 'Hidden Champion' by the German Chamber of Industry and Commerce – as a global market leader in our sector. Thank you for your trust. We will not disappoint you!

Sophisticated design has a soothing effect on patients

Premium, durable materials and an appealing design are our standards. With its variety of colour combinations for leatherette covers and coatings, the medi-matic® creates a professional atmosphere that inspires confidence and reduces stress.

Ergonomics and working efficiently

Made in Germany! With up to five high quality motors, 16 freely selectable memory positions and a thoughtfully designed user interface, the medi-matic® optimises the positions of patients during examinations so that you can work ergonomically.









medi-matic®

Key features

Comfortable and safe

Its low starting height of 470 mm enables patients to get on safely and easily without a mounting step. The leg positioning systems are easy to swing out and to detach, which is especially helpful for patients with limited mobility, and when transferring patients.

Taking details a step further

The pull-out stainless steel rinsing basin is mounted in a plastic frame. Its closed design makes it especially easy to clean. It always remains in a horizontal position, regardless of how the seat section is positioned. No spilled liquids, no matter what position the chair is in. The recessed rinsing basin makes it easier to lay down instruments.

The deep rinsing basin makes it easier and more convenient to place instruments.

Always at the cutting edge

Cutting-edge technology isn't just a buzzword for SCHMITZ. We live and breathe innovation with Bluetooth control units, an examination light integrated in the examination chair, and ambient illumination to match your choice of pad colour. And we have increased the safe working load of the medi-matic® to 300 kg!





medi-matic®

Key features

Also suitable for use in surgical procedures

More and more operations are moving from operating theatres to surgeries and outpatient centres. The medi-matic® has been adapted to market requirements and can also be used for operations. Whether you work with regional or general anaesthesia, the medi-matic® won't let you down! Even HF applications can be performed with no problem.

With the side rail system, surgical accessories can be attached to the surgical chair; the leg section with clip-on upholstery and a seat and back section that can be adjusted in a flat position allow for optimal patient positioning according to your requirements.

! The feasibility of any planned procedure must be evaluated in advance by medical staff based on the technical features and functionality of the treatment chair.

The leg positioning systems on the surgical chair are individually removable and electrically adjustable (optional). Each leg can also be spread individually. You can choose from various leg positioning systems!

Hygiene and mobility

Level, enclosed surfaces without corners or edges ensure optimised hygiene and easy cleaning. By simply pressing a button, the user can activate a signal on the hand control screen and a pulsating red LED light on the examination chair to indicate that cleaning is needed. Given the busy daily routine in surgeries and hospitals, this is a particularly practical feature.

Even the area under the medi-matic® can be cleaned thanks to its mobility (optional). This also enables flexible use in treatment rooms.



medi-matic®

Key features

The perfect hygiene standard

Nearly complete elimination of germs thanks to antimicrobial coatings and leatherette covers as well as the use of protective covers for the seat section – there's no chance for multidrug-resistant pathogens. See page 166 ff. for more information.

Another useful feature is the optional visual cleaning request indication.

Optimum access at all times

A deeper gyn. cut-out in the seat section provides better access to the area to be examined, while the narrower gyn. cut-out increases the available seat surface. The result is a more comfortable sitting position for the patient.

Soft start-up and ergonomic movements

All of the motors in the medi-matic® feature a soft start-up, enabling an ergonomic sequence of movements. Patient safety is paramount at all times!

medi-matic®

Software features

Innovative, well-designed, easy to use



16 freely selectable memory positions allow smooth, efficient adjustments. In addition, multiple doctors can store and access their preferred positions at any time. The stored positions can be previewed on the hand control, allowing sure selection of the desired position. When a memory position is selected, all motors shift to the new position simultaneously, saving time.



Complete control at all times!

With the STOP button on the hand control, all of the examination chair's functions and motions are stopped and locked instantly.



User-friendly interface with an intelligently designed menu system!

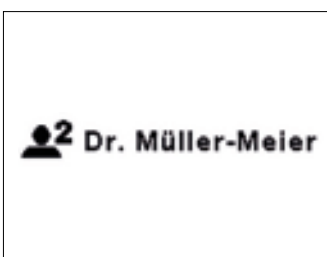
With display-based operation, the hand control's softkey menu makes the examination chair's wide range of extra functions easy to use.

Features such as the vidan2 photo button, sockets, seat heating and water inlet are easy to operate. The control pad on the hand control can be used to cycle through the functions, which can be activated with the buttons below the screen.



The medi-matic® examination chair is an investment in the future!

Regular updates provide software improvements or new functions. Easy updates via USB stick!

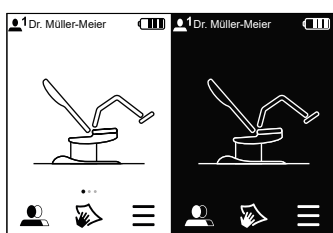


Multiple users? No problem!

Up to 4 different doctors can customise the examination chair as they please. For each doctor, the name and memory positions can be stored.



The indirect LED ambient illumination of the medi-matic® works well with the hand control's dark mode for ultrasound examinations in darkened rooms. The ambient illumination can be adjusted at any time via the menu in the hand control.



We help you save electricity!
Standby times can be set for the examination chair and the hand control to automatically switch to standby mode after the specified time. Rechargeable batteries can also be used for the wireless foot control.



Everything that matters at a glance!
The system information can be called up via the hand control at any time to view the essentials at a glance. Should service be required, the error memory and the production and serial numbers can be displayed here. All information is in one place so that our service team can help you quickly.

The range of available functions depends on the equipment and configuration chosen.







Workplace solution with Orbit dispensing and disposal modules



Workplace solution with the vidan®2 video colposcope and Orbit dispensing and disposal modules



Also suitable for use in surgical procedures



Positioning the patient with the aid of the clip-on leg section





medi-matic® C€MD
Model overview

Model No. Description



115.9000.0 medi-matic® Examination and Treatment Chair
 Electromotive adjustment of Trendelenburg position and back section, and in addition electromotive height adjustment from 470 - 900 mm, mounting height: 470 mm. With memory function for storing of 16 positions. Activation of the adjustment and memory functions by means of cable-connected hand and foot control.



101.0745.0 Leg support joint with electric motor
 Prepares the medi-matic® for the electromotor-adjustable leg positioning system (consider foot support 101.0626.0 or Göpel-type leg support 101.0629.0). Includes modified wired hand and foot control for extra functionality.
 Subsequent fitting not possible.

Discover our product and colour configurator:



Basic model without leg positioning system, please choose from 5 options: page 38/39.
 Optional mobility: page 44.



Stainless steel rinsing basin, pull-out. With storage on the side, e.g. for tinctures.



Storage compartment for paper rolls, suitable for: 500 mm paper roll width, max. Ø approx. 140 mm, for integrated storage compartment.



Removable seat padding for perfect cleaning and easy replacement.



Bracket for manual control unit made of 18/10 stainless steel, can be fitted on the left or right side as required, swivelling, snap-in function.



Cable-connected hand and foot control included as standard, a cordless version is available as an option.

medi-matic® Standard equipment

Seat, back and head sections with ergonomic upholstery, stainless steel rinsing basin with convenient holder, in plastic frame, always in horizontal position, pull-out and removable, 325 x 355 x 65 mm (W x L x H), 5.5 litres, pull-out and removable, storage for paper rolls up to 500 mm width. Incl. cable-connected hand and foot controls for activation of the adjustment and memory functions. (The range of available functions depends on the equipment and configuration chosen.) Base plate with 4 levelling screws, plastic claddings and covers in silver, cladding of column and side panels powder coated acc. to colour chart, upholsteries acc. to colour chart. Foot support mounts for quick removal or individual swivelling on a horizontal level of foot supports or Göpel-type leg supports with integrated handles (not available for equipment with side rails 101.0631.0). With integrated module for the use of wireless control units. Connection cable of 3 m with mains plug (upon request, prepared for fixed connection to the wall/earth, without connection cable).

Power supply: 100 - 240 V, 50/60 Hz, max. 0.5 kW.

Country specific versions available upon request.

Safe working load: 300 kg.

Electric sockets

Chair can be equipped with 2 power sockets acc. to safety standards EN 60601-1! See page 43. Country specific versions available upon request.

Powder coated finish

High quality multilayer gloss paint of extreme knock and scratch resistance.

Easy to clean and to disinfect. Resistant to climatic conditions.

Available in SCHMITZ colours acc. to colour chart, page 168 (without surcharge).

Further optional colours acc. to RAL colour chart at extra charge.

Upholstery

High quality, hard wearing foam rubber with leatherette cover.

Available in SCHMITZ colours acc. to colour chart without surcharge (classic and comfort qualities).

Ordering information

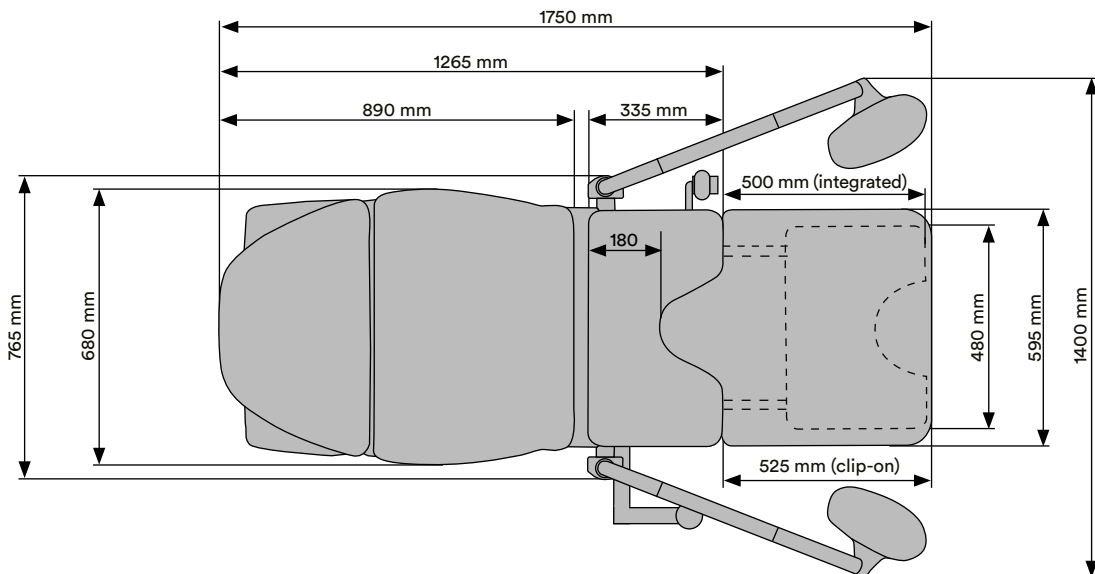
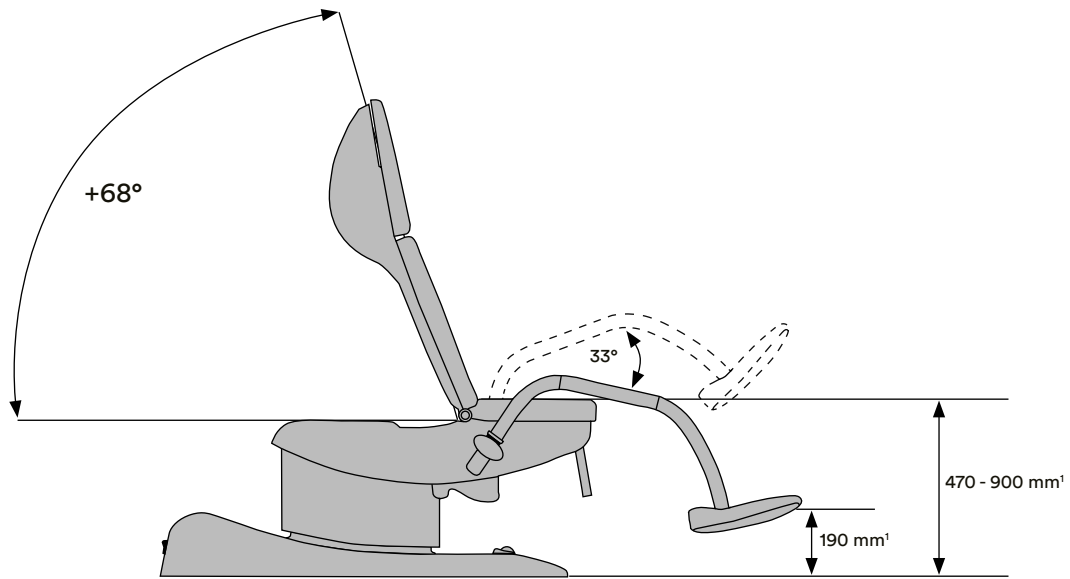
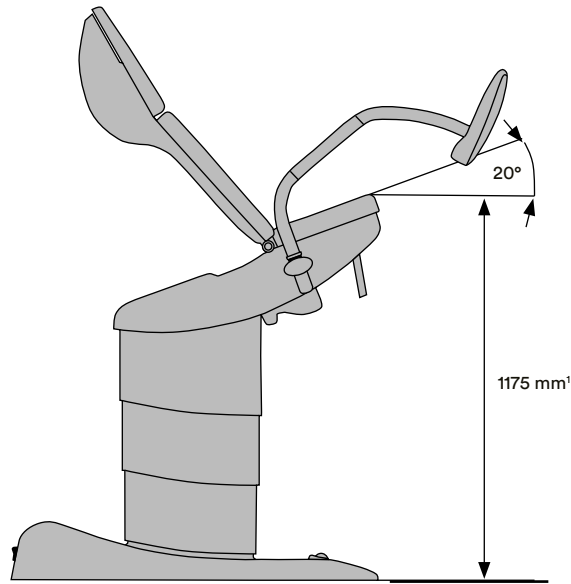
Please specify when ordering:

Foot/leg support system: see page 38/39

Upholstery colour: see colour chart page 168

Plastic enamel coating: see colour chart page 168

Model No.	Description	
100.0510.0	Further optional colours acc. to RAL colour chart (w/o ill.)	Surcharge

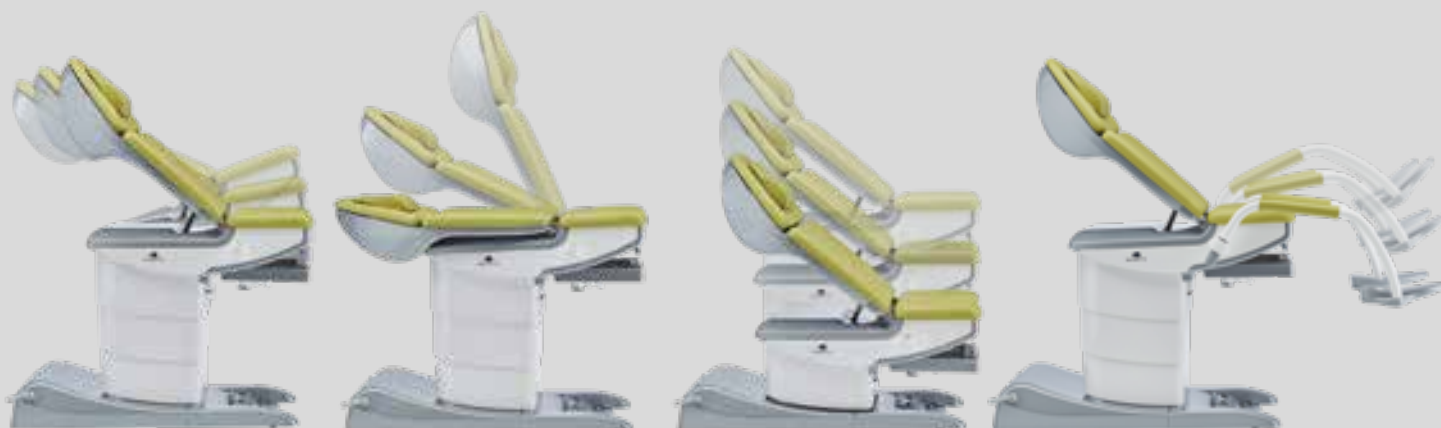


¹ In connection with mobility 101.0648.0 please add 10 mm, in connection with mobility 101.0730.0 please add 100 mm.

medi-matic® Adjustment functions and dimensions

Dimensions	115.9000.0
Base plate	1,135 × 638 mm
Width of upholstery	Back section 680 mm, Seat section 595 mm
Total width	765 mm
Back section, electr. adjustable	■
Trendelenburg position, electr. adjustable	■
Height, electr. adjustable	■
Leg support joint with electric motor	●
Memory function	■
Rinsing basin	■
Long side rails, seat section	●
Short side rails, seat section	●
Net weight (w/o access.)	151 kg
Safe working load	300 kg

■ = standard equipment ● = at extra charge



Trendelenburg position

Back section adjustment

Height adjustment

Leg support joint with electric motor (101.0745.0)

Design and dimensions are subject to change.





Low basic height allows the patients to take their seat with ease



Fold-away foot supports and a low basic height make it easier for patients with limited mobility to take their seats.



Positioning with Göpel-type leg supports attached to side rails



Horizontal position for unobstructed ultrasound examinations



Positioning with UniLeg leg supports



Positioning with UniLeg leg supports



medi-matic® C€^{MD} Control elements

Model No. Description

101.0743.0 Hand control, wireless
(w/o ill.) With plastic housing, sealed against liquid ingress, transmits commands via radio. Illuminated TFT screen to display all examination chair status information. Backlit keypad for all adjustment functions. Includes charging cradle on the examination chair for charging the hand control.



101.0744.0 Hand control, wireless
Like 101.0743.0 but for medi-matic® model with electromotive leg support joint 101.0745.0.

101.0740.0 Foot control, wireless
(w/o ill.) With plastic housing, sealed against liquid ingress, non-slip. For all adjustment functions of the examination chair; same as its hand control. Transmits commands via radio. With low-power e-paper screen for better ease of use. Includes 3 AA batteries.



101.0668.0 Foot control, wireless
Like 101.0740.0 but for medi-matic® model with electromotive leg support joint 101.0745.0.

! Many accessories can be added later; before ordering, please contact our service team about pricing.

medi-matic® C€^{MD}

Leg support systems

Model No.	Description
-----------	-------------



101.0626.0	Foot supports (pair) with integrated, powder coated handles, total length 823 mm. Can be swivelled to the side, lockable. Plastic foot support covers of transparent PU material.
-------------------	---

101.0627.0 (w/o ill.)	Foot supports (pair), short version same as model 101.0626.0, but total length shortened by approx. 85 mm.
---------------------------------	--



101.0629.0	Leg supports, Göpel type (pair) with integrated, powder coated handles. Leg supports with integral foam upholstery in silver-grey, including fastening strap, rod of stainless steel 18/10.
-------------------	---



101.0734.0	UniLeg leg supports (pair) with peroneal nerve protection height-adjustable and spreadable from foot end, with gas spring support, plastic covering with pad for foot and lower leg, adjustable in all positions, with integrated side rail mount. (requires side rails 101.0631.0 or 101.0632.0).
-------------------	---



101.0735.0	UniLeg leg supports (pair) Same as model 101.0734.0 UniLeg, but without peroneal nerve protector (requires side rails 101.0631.0 or 101.0632.0).
-------------------	--



Model No. Description

101.0630.0 Göpel leg support (piece)
 integral foam upholstery in silver-grey, including fastening strap, rod of stainless steel 18/10, attachment clamp not included (requires side rails 101.0631.0 or 101.0632.0 and clamps 101.0634.0).

101.0634.0 Attachment clamp (piece)
 revolving, stainless steel 18/10, for installation on side rails.

101.0681.0 Hand grip (piece)
 integral foam upholstery in silver-grey, for installation on side rail 101.0631.0.



101.0631.0 Side rails (pair)
 stainless steel 18/10, 25 × 10 mm, 290 mm long.
 Cannot be used in combination with side rails 101.0632.0 and ambient illumination 101.0667.0!
 Cannot be used with leg support joint with electric motor 101.0745.0 and the integrated video colposcope vidan®2 113.0014.0!
For this the standard leg support mounts on the seat section are omitted.
Subsequent fitting not possible.



101.0632.0 Side rail (piece)
 stainless steel 18/10, 25 × 10 mm, 150 mm long.
 Cannot be used in conjunction with side rails 101.0631.0, ambient illumination 101.0667.0 and the integrated video colposcope vidan®2 113.0014.0.!

medi-matic® 

Accessories for all disciplines

Model No.	Description
101.0738.0	Leatherette cover (pair) for integrated handles of foot supports, according to colour chart, with zip fastener.
101.0739.0 (w/o ill.)	Leatherette cover (pair) for integrated handles of Göpel-type leg supports, according to colour chart, with zip fastener.
101.0637.0	Cushion with magnetic attachment, leatherette cover according to colour chart.

Can also be used as a lumbar support.



Model No. Description



101.0638.0 Protective cover
for the upholstery of the seat section



101.0635.0 Leg plate
integrated into the seat frame, extractable, padded surface of soft-touch plastics (TPE), grey.
Safe working load: 50 kg.
Dimensions of pad: 480 × 373 × 30 mm (W x L x H).



101.0636.0 Leg section
clip-on upholstery, leatherette cover according to colour chart.
Safe working load 50 kg.
Upholstery dimensions in mm: 595 × 70 × 675 (W x H x L)
Can only be used together with integrated leg plate 101.0635.0!

medi-matic® CE MDD

Accessories for all disciplines

Model No. Description



101.0654.0 Paper roll
500 mm wide, stored into the integrated compartment.



101.0655.0 Holder for paper roll
External bracket for holding paper rolls
up to 600 mm wide.



101.0628.0 Protective covers (pair)
of transparent plastic material, for foot supports.



Model No. Description

101.0656.0 2 Power sockets
country-specific, according to EN 60601-1,
activation by hand control.

101.0729.0 2 Power sockets “Swiss design”
(w/o ill.) same as model 101.0656.0, but “Swiss design”.

Further country-specific versions available
upon request.



101.0667.0 LED Ambient illumination
LED illumination on both sides underneath the
seat section, choice of 16 different colours,
easily changeable in the hand control menu.
Colour tone preset to the selected upholstery
colour (white LED light with brown, black and
grey upholstery colour).

101.0736.0 Pad set electrically conductive
(w/o ill.) Set of upholstered pads, 50 mm thick, black,
electrically conductive acc. to EN 60601-1.
Consisting of one pad each for head, back and
seat section.

medi-matic® C€^{MD}

Accessories for all disciplines

Model No.	Description
101.0677.0	Doctor's foot support stainless steel 18/10, LH mounting, patient's POV. (not possible in combination with the gyro flushing basin 101.0658.0)
101.0647.0 (w/o ill.)	Doctor's foot support same as model 101.0677.0, however RH mounting, patient's POV. (not possible in combination with the gyro flushing basin 101.0658.0)
101.0648.0	Mobility 2 double castors Ø 75 mm, 4 fixed-type castors Ø 50 mm, electrically conductive, with central lock.
101.0730.0	Mobility 4 double castors Ø 100 mm, individually lockable and electrically conductive






Note!

The two mobility devices 101.0648.0 and 101.0730.0 must not be used for patient transport!

medi-matic® C€MD LED examination light



Model No.	Description
-----------	-------------

101.0652.0	<p>LED examination light examination light integrated in the medi-matic®, mounted on the right side only, with automatic on/off function by swivelling in. Flexible adjustment, safe and easy positioning. Light power 30,000 Lux at 0.5 m⁽²⁾, large homogenous light field for maximum ease of viewing, illumination area Ø 18 cm at 0.5 m⁽²⁾. Set colour temperature from 4,400 K, continuously dimmable. Fast cleaning thanks to closed construction. Maintenance-free thanks to LED technology. With external mains adapter. Fulfils the normative requirements of EN 60601-1 and EN 60601-2-41</p>
-------------------	--

The LED examination light cannot be used in conjunction with the integrated version of the 'vidan®2 video colposcope!



When needed, the examination light can easily be pivoted from its parked position into the area requiring illumination.

medi-matic® C€^{MD}

LED examination light for attachment to side rail

Model No. Description



101.3140.0 LED examination light*

Flexible adjustment, safe and easy positioning.

Light power 30,000 Lux at 0.5 m⁽²⁾, large homogenous light field for maximum ease of viewing, illumination area Ø 18 cm at 0.5 m⁽²⁾.

Set colour temperature from 4,400 K, continuously dimmable.

Fast cleaning thanks to closed construction.

Maintenance-free thanks to LED technology.

With external mains adapter.

Fulfils the normative requirements of EN 60601-1 and EN 60601-2-41

With rail clamp for attachment to existing side rail, for examination chairs of the series **medi-matic®**, **arco** or **arco-matic®**.

Model No. Description

101.3150.0 LED examination light*

Same as model 101.3140.0, but with additional rail clamp and rail bracket, for examination chairs from the **medi-matic®**, **arco** or **arco-matic®** series with side rails on the seat section.

The arm can be used to increase the pivoting angle of the LED examination light to ensure straightforward use with examination chairs with leg support joints with electric motor.



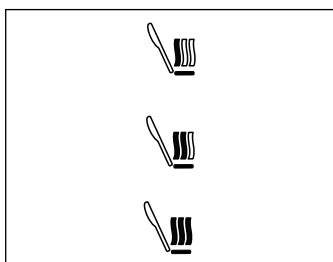
Note:

The LED examination light cannot be used in conjunction with the integrated version of the **vidan®2** video colposcope!

medi-matic® C€^{MD}

Accessories for gynaecology

Model No. Description



101.0640.0 **Seat heating**
 Power on/off and three-stage temperature adjustment via hand control.
 Power consumption between 12 and 23 watts.
 Configurable deactivation when not in use.



Cleaning required

Cleaning request indication (software feature) (included in the scope of delivery)

A visual indication that the medi-matic® needs to be cleaned can be displayed on the hand control screen and by red pulsating LED ambient illumination model no. 101.0667.0 (accessory). The function is activated by the user and then acknowledged by cleaning staff after cleaning – both via hand control.



Cleaning done

Model No. Description



101.0651.0 Colposcope support (w/o colposcope) for Leisegang, Leica, Kaps and Zeiss systems, RHS or LHS fitting. Powder-coated in RAL 9006 white aluminium. For Kaps and Zeiss systems, please order required mounting tube with attachment from your colposcope supplier.

For information on the SCHMITZ vidan®2 Full-HD Video colposcope, please see page 62 ff.



101.0746.0 Monitor bracket
 Monitor arm with 160° swivel range, powder-coated in chair colour, mounting on right or left (please specify when ordering, cannot be changed afterwards!).
 With monitor holder according to VESA 100 standard.
 For mounting a monitor in compliance with the requirements of EN 60601-1, chapter 16 (monitor and further mounting material not included).
 Cannot be retrofitted.



medi-matic® CE^{MD}

Recommended accessories for gynaecology

Model No.	Description
1 x 101.0637.0	Head cushion
1 x 101.0640.0	Seat heating
1 x 101.0656.0	2 Power sockets
Leg/foot support systems, optionally:	
2 x 101.0630.0	Göpel-type leg supports (piece)
2 x 101.0634.0	Attachment clamps (piece)
1 x 101.0631.0	Side rails (pair)
2 x 101.0681.0	Hand grips (piece)
alternatively:	
1 x 101.0626.0	Foot supports (pair)
alternatively:	
1 x 101.0629.0	Göpel-type leg supports (pair)
optionally:	
1 x 101.0745.0	Leg support joint with electric motor
Full-HD video colposcope:	
1 x 113.0014.0	Video colposcope vidan®2
1 x 101.0728.0	Connectivity package
alternatively:	
1 x 113.0009.0	Video colposcope vidan®2 mobile
1 x 101.0620.0	Connectivity package



medi-matic® for urology

Details that matter

A motor can adjust the back section by up to 68° for a comfortable sitting position for the patient. In combination with our gyro flushing solution, this also simplifies urodynamic testing on your part.

Liquids stay where they belong

Our gyro flushing system offers a direct wastewater connection and stays horizontal regardless of chair position. The extra drain and the special seat section pad collect liquids safely.

Hygiene and mobility

Level, enclosed surfaces without corners or edges ensure optimised hygiene and easy cleaning. Even the area under the medi-matic® can be cleaned thanks to its mobility (optional). This also enables flexible use in treatment rooms.

The perfect hygiene standard

Nearly complete elimination of germs thanks to antimicrobial coatings and leatherette covers – there's no chance for multidrug-resistant pathogens. See page 166 ff. for more information.

! Many accessories can be added later; before ordering, please contact our service team about pricing.

medi-matic® 

Additional accessories for urology, urodynamics

Model No.	Description
-----------	-------------



101.0658.0	<p>Basin with gyro flushing large round basin Ø 360 mm, stainless steel 18/10, pull-out, always in horizontal position, hygienic design without profiled rim. Odour trap through integrated siphon. Water feed can be activated via foot control or hand control. Drainage via highly flexible hose and pipe socket, Ø 40 mm. Complies with DIN EN 1717. Replaces the standard rinsing basin. (No subsequent installation possible; cannot be used in conjunction with seat heating 101.0640.0 and doctor's foot support 101.0647.0 or 101.0677.0) Incl. protective cover 101.0638.0 for the upholstery of the seat section.</p>
-------------------	---



101.0659.0	<p>Sieve round, stainless steel, for basin with gyro flushing.</p>
-------------------	---



101.0660.0	<p>Bracket stainless steel, lateral storing on RHS, for basin with gyro flushing.</p>
-------------------	--



Model No. Description

101.0643.0 Rinsing basin with outlet
 stainless steel 18/10, W 325 x L 355 x D 65 mm,
 with outlet, stopper and hose 3/4", 1,200 mm long.
 Always in a horizontal position thanks to the
 convenient holder.
 Replaces the standard rinsing basin.

Sur-charge



101.0644.0 12-litres bucket
 stainless steel 18/10, with recess in the lid to
 insert hose.



101.0662.0 Special seat section pad
 for urodynamics, W 596 mm, L 350 mm.
 Replaces the standard seat section pad.
 Cannot be used in conjunction with the seat
 heating 101.0640.0.

Sur-charge

101.0663.0 Seat section extension
 two-piece, for Urodynamics, each piece:
 W 220 mm, L 150 mm
 (requires in addition: 2 pcs. side rails 101.0632.0)

101.0661.0 Drain gutter for fluids
 (w/o ill.) made of stainless steel, for installation behind the seat
 section.

medi-matic® CE^{MD}

Additional accessories for urology, urodynamics

Model No. Description



101.0633.0 Side rails (pair)
stainless steel, 25 × 10 mm, 400 mm long,
mounted at the back section, for the attachment
of accessories.
(subsequent fitting not possible)



101.0632.0 Side rail (piece)
stainless steel 18/10, 25 × 10 mm, 150 mm long,
mounted on the seat section, usable with 101.0626.0
or 101.0629.0, for fixation of the adapting section
101.0663.0 (subsequent fitting not possible).
Cannot be used in conjunction with side rails 101.0631.0
and ambient illumination 101.0667.0.



101.0732.0 Fluid Collection System
for collecting fluids during hysteroscopy or
cystoscopy, flexible frame for holding drainage drapes,
incl. 10 drapes 101.0733.0 and attachment clamps for
securing to the side rails.

101.0733.0 Drainage drapes
(w/o ill.) for use with fluid collection system
101.0732.0 (carton w/10 units).



Model No.	Description
101.0665.0	Accessories for urology, urodynamics



! Further accessories such as arm rests, infusion pole or side guards for mounting on the side rails can be found in our catalogue for OR table accessories, no. 92.



medi-matic® 

Recommended accessories for urology

	Model No.	Description
1 x	101.0637.0	Head cushion
1 x	101.0656.0	2 Power sockets

Choice of accessories:

1 x	101.0658.0	Gyro flushing basin
1 x	101.0659.0	Sieve
1 x	101.0661.0	Drain gutter for fluids

alternatively:

1 x	101.0643.0	Rinsing basin with outlet
1 x	101.0644.0	12 l bucket
1 x	101.0661.0	Drain gutter for fluids

Leg/foot support systems, optionally:

2 x	101.0630.0	Göpel-type leg supports (piece)
2 x	101.0634.0	Attachment clamps (piece)
1 x	101.0631.0	Side rails (pair)
2 x	101.0681.0	Hand grips (piece)

alternatively:

1 x	101.0626.0	Foot supports (pair)
-----	------------	----------------------

alternatively:

1 x	101.0629.0	Göpel-type leg supports (pair)
-----	------------	--------------------------------

optionally:

1 x	101.0745.0	Leg support joint with electric motor
-----	------------	---------------------------------------

1 x	101.0633.0	Side rails (pair)
-----	------------	-------------------

1 x	101.0019.0	Arm rest
-----	------------	----------



medi-matic® CEMD**Recommended accessories for urodynamics**

	Model No.	Description
	1 x 101.0662.0	Special pads
	2 x 101.0632.0	Side rails (piece)
	1 x 101.0663.0	Adapting section (two-piece)
	1 x 101.0660.0	Bracket ³
Leg/foot support systems, optionally:		
	2 x 101.0630.0	Göpel-type leg supports (piece)
	2 x 101.0634.0	Attachment clamps (piece)
	1 x 101.0631.0	Side rails (pair)
	2 x 101.0681.0	Hand grips (piece)
alternatively:		
	1 x 101.0626.0	Foot supports (pair)
alternatively:		
	1 x 101.0629.0	Göpel-type leg supports (pair)
optionally:		
	1 x 101.0745.0	Leg support joint with electric motor
	1 x 101.0633.0	Side rails (pair)
	1 x 101.0019.0	Arm rest

³Note: This bracket is required for lateral storage of the gyro flushing basin 101.0658.0



vidan®2

The first integrated Full HD video colposcope with touchscreen monitor.

The technically advanced video colposcope with Full HD and an integrated computer in the examination chair is the ideal addition to the medi-matic® examination chair.

Precise, bright, comfortable.

Maximum precision with Full HD

A successful colposcopy depends on details that can only be detected with maximum image quality. vidan®2 aids in diagnosis. Supports all common interfaces for integration into your own network.

Doctor-patient relationship

The freely swivelling, rotating and tilting 21.5" monitor provides optimal display of the examination and allows the patient to be involved in the examination if she wishes. Build trust through dialogue.

Ergonomic and time saving

The integrated computer guarantees that the examination results can be backed up quickly and easily right on the medi-matic® examination chair. vidan®2 can be used in an optimally ergonomic, fatigue-free sitting position, thus facilitating the physician's work.







vidan®2

Easy to handle

The control elements

Clearly arranged operating elements for an intuitive control and handling of the video colposcope.

Two freely definable magnification values, which can be easily accessed at the touch of a button, help reduce the examination time.

Transfer of ultrasound images

The vidan®2 screen display can be switched over to the connected ultrasound scanner or another digital video source. The swivel functions of both monitor and monitor arm allow integrating the patient into the examination and diagnostics.

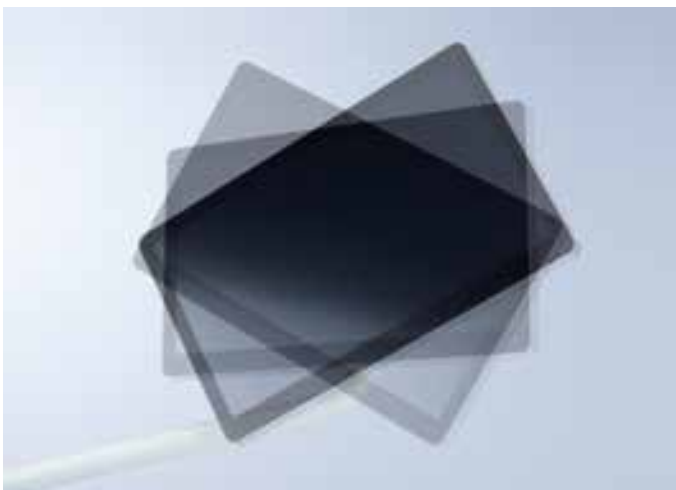
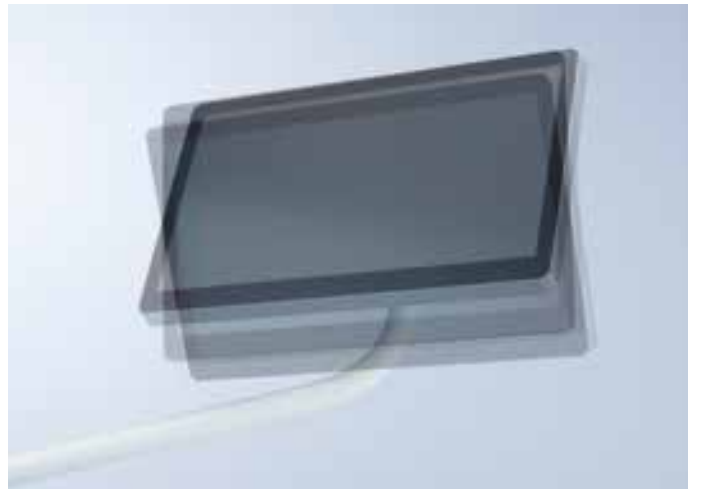
Training of assistant physicians

The HDMI interfaces allow mirroring the image currently displayed on the vidan®2 monitor on another screen. This feature can be used to support the training of assistant doctors.

Uninterruptible Power Supply (UPS)

In the event of an unexpected voltage drop or sudden power cut, the Uninterruptible Power Supply will energy until the system can be brought into a safe state and thus all data remains saved.

To ensure this data backup function, the system will only restart once the UPS has charged to 90%.



vidan®2

Flexibility in display

Freely swivelling screen

The freely swivelling, turning and inclinable screen supports an ideal visualisation of the examination. The 160° swivelling monitor arm allows the patient to be integrated even more closely into the examination and diagnostics.

Input via touch screen

Patient data can be entered directly via the touchscreen of the monitor.

Easy to handle

Switching to the external video source directly at the monitor.



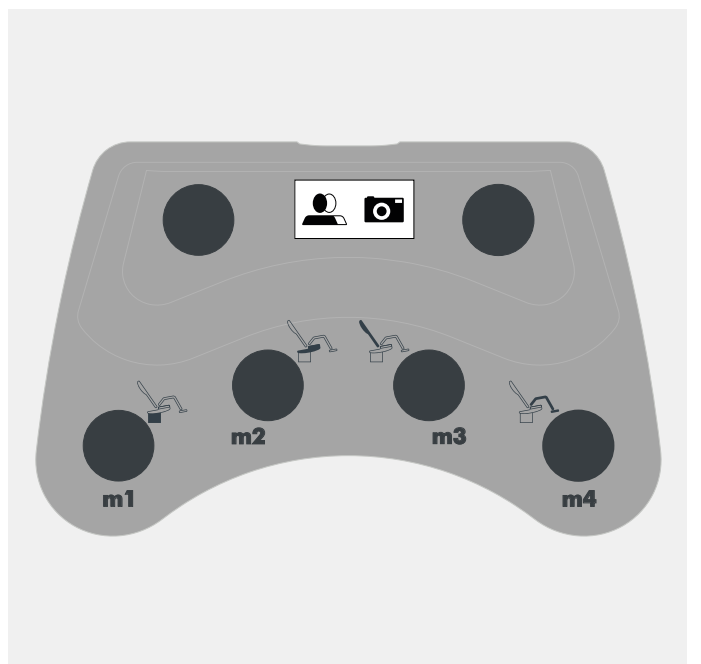
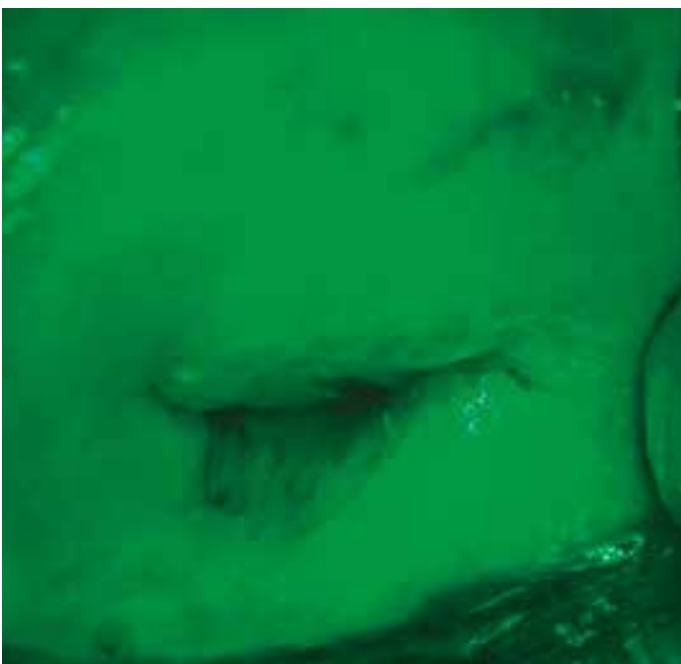
Ultra-bright: LED illumination with green light/green colour filter

Examination light

Ultra-bright LED illumination with a colour temperature of approx. 5.700 K and 2 stages of brightness. An additional stage serves as an examination light with an impressive realistic colour display and a brightness of 30.000 Lux.

Green light/green colour filter

Green light with an additional electronic green colour filter can be enabled for an improved visualization of the vascular structure in Pap smears. It increases the contrast and supports enhancement of individual structures, thus facilitating the physician's work.



vidan®2

Outstanding: image quality and technology

Zoom

The variable zoom allows different views to be displayed with pinpoint accuracy. Up to 36.5x variable optical magnification means that even the tiniest details can be displayed in Full HD quality. Two freely definable zoom values, can be easily accessed at the touch of a button.

Autofocus

Autofocus independent of the zoom factor is active in a working distance of 300 - 400 mm. In addition, the focus can be readjusted manually.

Displaying

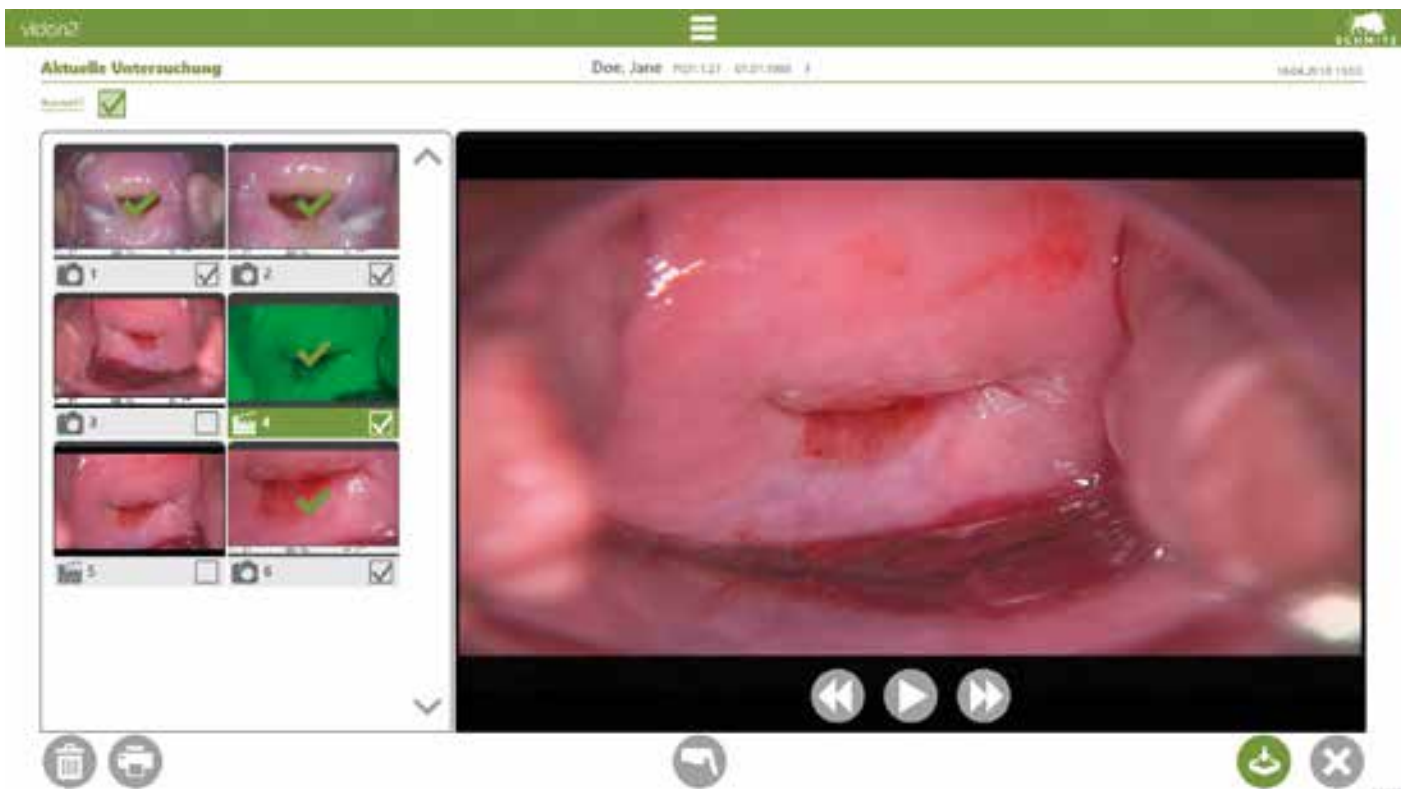
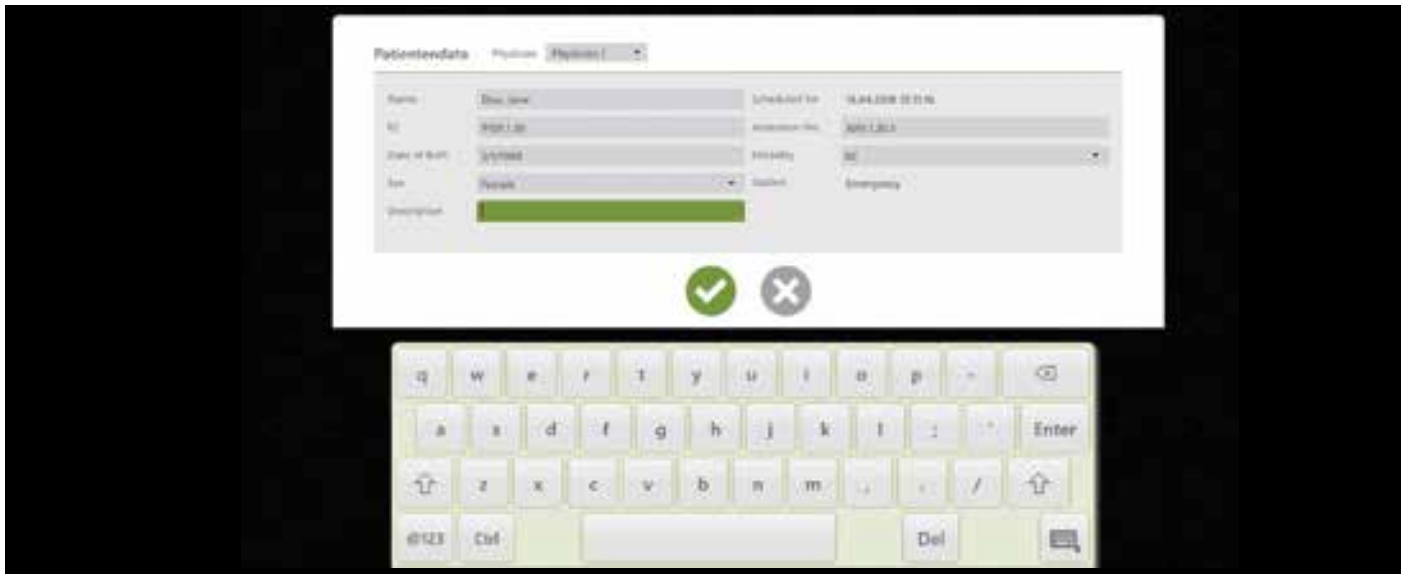
Displaying and evaluation of the examination area on a 21,5" monitor. The excellent full HD image quality facilitates diagnostics and decision-making for the correct treatment. Thus, high-precision technology provides an additional safety bonus for the patient.

Green light

Green light for an improved visualization of the vascular structure (please see also page 71).

Foot control

The "Save Image/Video" function can additionally be triggered by a button on the foot control of the medi-matic® examination chair.



vidan®2 **software:**

**The integrated solution for efficient working –
comfortable, fast and easy to operate**

**Easy creating of new personal entries
directly via the touchscreen monitor**

Patient allocation can therefore be done directly at the examination chair. If the vidan®2 has been integrated into an existing medical/hospital information system, patient data can also be accessed from the system or a worklist.

User-friendly to the last detail

New images or videos are automatically allocated to the patient. The pre-installed SCHMITZ software includes a useful comment function for annotating images.

Selecting created images/videos

for archiving in the patient file.

The data can also be exported to a drop folder in the local network or to a USB stick connected to the examination chair.



vidan®2 

Outstanding image quality and technology

Model No.	Description
-----------	-------------



113.0014.0	<p>Video colposcope vidan®2, integrated autarkic system with integrated computer and 21,5“ touch screen monitor. Video colposcope on a freely adjustable arm, mounted on the right hand side (patient’s view), with LED light, monitor arm mounted on the left hand side (patient’s view) by default, monitor can be rotated, tilted and swivelled. Monitor arm swivelling through 160°, powder coated in chair colour. Video colposcope with swivel arm powder coated in RAL 9006 white aluminium. Monitor in grey/anthracite colour. Add’l „Image/Video save“ button on the foot control. With network interface, HDMI and USB input. Including pre-installed SCHMITZ vidan®2 software for viewing and archiving.</p>
-------------------	--

The integrated video colposcope vidan®2 113.0014.0 is available with the purchase of a medi-matic® examination chair.

101.0728.0	<p>Connectivity package (w/o ill.) to expand the connection options of vidan®2. The package includes an additional HDMI input and an HDMI output. The connectivity package is not retrofittable!</p>
-------------------	---

! Please refer to the notes and possible options for connecting to the medical practice software on page 89.

Please note:
There will be a limited view to the monitor when using the Göpel leg supports and adjusting the Trendelenburg position exceeding approx. 16°.

The video colposcope 113.0014.0 cannot be used in combination with following accessories for medi-matic® examination chairs:

101.0658.0	Gyro flushing basin
101.0660.0	Bracket
101.0651.0	Colposcope support
101.0631.0	Side rails
101.0632.0	Side rail



vidan®2

Technical Data

Camera	Full-HD 1080p
Resolution	1,920 × 1,080 pixels
Magnification	Up to 36.5x continuous optical magnification on vidan®2 monitor. Two freely definable zoom values, can be easily accessed at the touch of a button.
Working distance	300 - 400 mm
Focussing	autofocus and manual focus
White balance	manually
Colour filter	green light with electronic filter
LED illumination	3 stages of brightness up to max. 30.000 lux
Colour temperature	5,700 K
Lifespan of LED	10 years
Recording function	image (JPEG) and video (MPEG4) of max. 1 minute length, still frame
Monitor	21,5" Full HD monitor with medical approval
Switching function	at the monitor, display of images coming either from the video colposcope or from a 2nd or 3rd digital video source (optional)
Uninterruptible Power Supply	up to 2 minutes
vidan®2 software	already pre-installed, to support a linear workflow from viewing to archiving
Ports	<ul style="list-style-type: none"> ● USB 3.0 Type A ● LAN (RJ45 Gigabit Ethernet) ● HDMI-IN (one port included as standard, one additional port can be added via the optional connectivity package) ● HDMI-OUT (one port via the optional connectivity package)

Possibly required network or HDMI cable or USB media devices are not included in the delivery!

For more detailed information about dimensions, adjustment and tilt angles, please don't hesitate to get in touch with us!



vidan®2

The mobile Full HD video colposcope

Versatility wherever it's needed!





vidan®2

**The mobile Full HD video colposcope
Precise – bright – easy to handle**

Pre-installed SCHMITZ software

with a pen and comment function for annotating images.

Images and videos are archived

via LAN connection, a secure WLAN connection or USB port;
an optional connection by DICOM, GDT or HL7 port
is possible – please see note in the Technical Data.

The vidan®2 can be flexibly positioned

around the treatment chair, making it comfortable and
efficient to use.


The solid 5-arm base

with individually locking castors ensures stability at all times.



vidan®2 mobile **Model overview**

Model No.	Description
113.0009.0	vidan®2 video colposcope, mobile Mobile system with integrated computer and 21.5" touchscreen monitor, can be wheeled on base with 5 locking castors, Ø 100 mm, mobile base 815 × 660 mm, total height 1,700 mm. Video colposcope with LED lighting on free-moving swivel arm, 1,000 mm long. Tilting, inclinable monitor with three height settings. Mobile base powder-coated in RAL 9006 white aluminium and RAL 7016 anthracite grey, swivel arm powder-coated in RAL 9006 white aluminium, monitor in grey/anthracite, with network interface, WLAN, USB port and HDMI input. Includes pre-installed SCHMITZ vidan®2 software for viewing and archiving.
101.0620.0 (w/o ill.)	Connectivity package for upgrading the connection options of the vidan®2. The package includes an additional HDMI input and an HDMI output. With an extra foot control to save images/videos. (cannot be added later)

 Please refer to the notes and possible options for connecting to the medical practice software on page 89.



vidan®2 mobile Technical Data

Camera	Full-HD 1080p
Resolution	1,920 × 1,080 pixels
Magnification	Up to 36.5x continuous optical magnification on vidan®2 monitor. Two freely definable zoom values, can be easily accessed at the touch of a button.
Working distance	300 - 400 mm
Focussing	autofocus and manual focus
White balance	manually
Colour filter	green light with electronic filter
LED illumination	3 stages of brightness up to max. 30.000 lux
Colour temperature	5,700 K
Lifespan of LED	10 years
Recording function	image (JPEG) and video (MPEG4) of max. 1 minute length, still frame
Monitor	21,5" Full HD monitor with medical approval
Switching function	at the monitor, display of images coming either from the video colposcope or from a 2nd or 3rd digital video source (optional)
Uninterruptible Power Supply	up to 2 minutes
vidan®2 software	already pre-installed, to support a linear workflow from viewing to archiving
Ports	<ul style="list-style-type: none"> ● USB 3.0 Type A ● LAN (RJ45 Gigabit Ethernet) ● WLAN (encrypted connection) ● HDMI-IN (one port included as standard, one additional port can be added via the optional connectivity package) ● HDMI-OUT (one port via the optional connectivity package) ● Connection interface for foot control (connectivity package required – cannot be added later)

Possibly required network or HDMI cable or USB media devices are not included in the delivery!

For more detailed information about dimensions, adjustment and tilt angles, please don't hesitate to get in touch with us!



vidan®2

Connecting to the medical office software

Information on connecting to the medical office software

vidan®2 can be operated autonomously via a USB memory device (not included in the delivery) for archiving images and videos. In addition, archiving can be done through a network link via a specified output folder in the local network.

Optionally, vidan®2 can also be integrated into existing IT systems via DICOM, GDT or HL7 interface. Please check with your IT service provider whether vidan®2 can be integrated into your existing medical office software.

SCHMITZ does not connect, install and/or implement the vidan®2 software into existing IT systems nor does it act as an advisor. SCHMITZ also does not guarantee the integration of the software into existing IT systems and a second video source, such as an ultrasound device.

§ Please take note of the Medical Devices Act, in particular, the Medical Device Operator Ordinance for all potential connections.



arco-matic®

The definition of exceptional design and state-of-the-art technology at excellent value for money.

Ergonomic

A width of upholstery of up to 680 mm at the back section and an individually adjustable head cushion attached magnetically to the chair offer patients pleasant and comfortable seating. With an access height of only 550 mm, even older or physically challenged patients can easily take a seat on the chair, and even at its lowest level, the seat position remains horizontal.

Strong

Designed for a working load of 250 kg, the chair offers great safety and many treatment options even for adipose patients.

Time-saving

Optimised adjustment speed and four freely selectable memory positions allow quick adjustment to the relevant position.

Functional

The backrest can be moved to a horizontal position; this means that patients can be positioned flat, e.g. for an ultrasound examination, or in a shock position in case of an emergency. The deep gyn. cut-out of 155 mm offers improved access to the examination area. Even if the patient is in a position of pelvic elevation, the rinsing basin stays horizontal.





Central lock

arco-matic®**Optimised use, high level of comfort,
first-class design****Horizontal position**

The backrest can be moved to a horizontal position; this means that patients can be positioned flat, e.g. for an ultrasound examination, or in a shock position in case of an emergency.

Mobility

Level, enclosed areas and the absence of corners and edges make for improved hygienic conditions and easy cleaning. Even the area under the arco-matic® can be cleaned thanks to its mobility (optional), which also enables flexible use of the treatment area and room layout.

Awards

A benchmark for quality and design:
the arco-matic® has won the prestigious reddot Design Award.



arco-matic® **Model overview**

Model No.	Description
-----------	-------------



114.9600.0	arco-matic® 200 M Examination and treatment chair with memory function for four positions, pelvic elevation and back section adjustable by electromotor, seat height adjustable from 550 mm to 1000 mm by pelvic elevation. Adjustment and memory functions activated by hand and foot control.
-------------------	--

114.9700.0	arco-matic® 300 M Examination and treatment chair with memory function for four positions, pelvic elevation, back section and foot supports (accessory) adjustable by electromotor, seat height adjustable from 550 mm to 1000 mm by pelvic elevation. Adjustment and memory functions activated by hand and foot control.
-------------------	---

**All basic models are without leg positioning system,
please choose from 5 options! (page 101 - 103)**

Discover our
product and colour
configurator:





Chrome nickel steel rinsing basin, in plastic frame, fixed in position with swinging mechanism.



Hand and foot control

- Flexible positioning of the detachable foot control for a stress-free and comfortable working environment
- Saves and retrieves up to 4 memory positions
- Soft start-up of the chair movements
- Control of all motion sequences through foot and hand controls



arco-matic® Standard equipment

Ergonomic upholstery on seat, back rest and head rest, SST rinsing basin, in plastic frame, fixed in position with swinging mechanism, detachable, 325 x 175 x 65 mm (W x D x H) 2.5 l volume. Magazine for holding paper roll of 400 or 500 mm width, max. diam. 140 mm, possibility to cover either the back and seat section or only the seat section with paper. With foot control, base plate with 4 levelling screws, silver grey plastic cladding. Upholstery according to colour chart. Foot support mounts for quick removal or individual swivelling on a horizontal level of foot supports or Göpel-type leg supports with integrated handles (not available for chairs equipped with side rails 101.0463.0).

Electrical connection:

Connection cable: 3 m with mains plug.
Connection: 100 - 240 V, 50/60 Hz, max. 0,94 kW.
Country-specific versions on request.

Weight:

Net weight: approx. 96 kg (114.9600.0)
Net weight: approx. 100 kg (114.9700.0)
Safe working load: 250 kg

Powder coated finish:

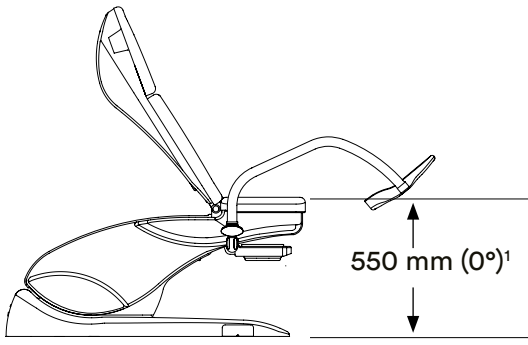
High quality powder coating in RAL 9006 white aluminium.
Gloss finish, extremely knock and scratch resistant. Easy to clean, resistant to disinfectants and environmental conditions.

Upholstery:

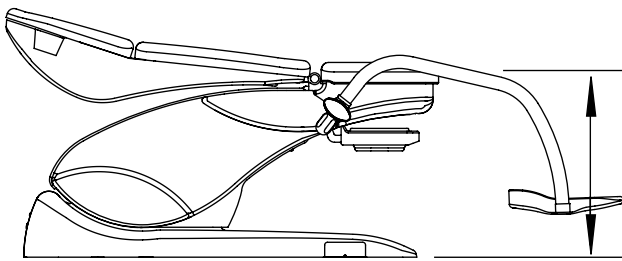
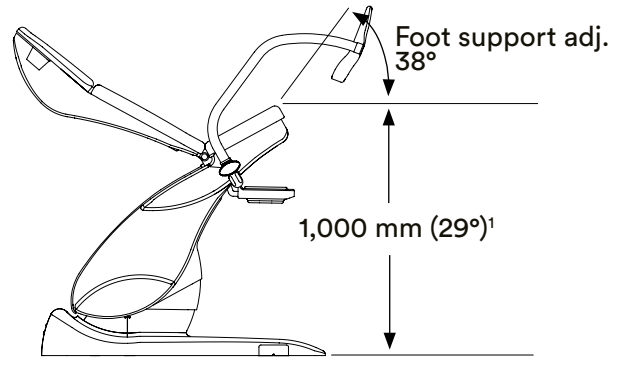
Foam material on support plate, with first-class, hard-wearing leatherette coverings. Colours available as per SCHMITZ colour chart ("classic" and "comfort" quality)

When ordering:

Please state the following when ordering:
Foot/leg support system: see page 101 - 103
Upholstery colour: see colour chart page 168



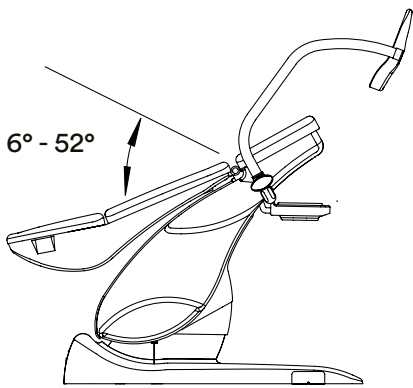
Maximum back section tilt 52°



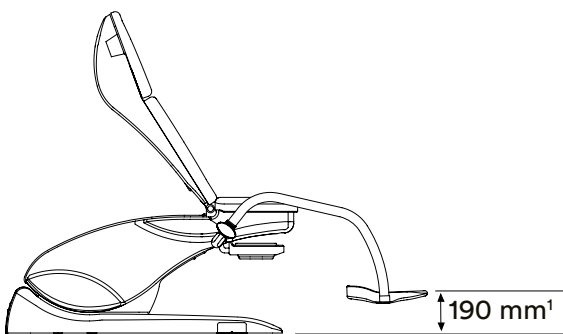
Seat section 0°, back section 6°
height 550 mm¹

Seat section 6°, back section 0°
height 640 mm¹

Reverse Trendelenburg 6°



Trendelenburg 29°



arco-matic® Adjustment functions and dimensions

Dimensions

Base plate	1,135 × 605 mm
Width of upholstery	595 mm (seat section) to 680 mm (back section)
Thickness	50 mm
Safe working load	250 kg



reddot award 2017
winner



Pelvic elevation
114.9600.0 and 114.9700.0



Back section adjustment
114.9600.0 and 114.9700.0



Electromotive adjustment of
foot supports 114.9700.0



arco-matic® **Leg support systems**

Model No. Description



101.0492.0 Foot supports (pair)
with integrated handles, powder coated RAL 9006 white aluminium, can be swivelled to the side, lockable. Plastic covers of transparent material as protection for the foot supports.



101.0493.0 Leg supports, Göpel type, with integrated handle (pair)
with integrated handles, powder coated RAL 9006 white aluminium. Leg supports with integral foam upholstery in silver grey, including fastening strap, rod of stainless steel 18/10.



101.0459.0 Göpel leg support (piece)
integral foam upholstery in silver grey, including fastening strap, rod of stainless steel 18/10, without attachment clamp (requires side rails 101.0463.0 or 101.0464.0 and 101.1670.0 attachment clamps).

101.0463.0 Side rails (pair)
for the seat section, stainless steel 18/10, 25 × 10 mm, 290 mm long.

101.1670.0 Attachment clamp (piece)
revolving, stainless steel 18/10, for installation on side rails.



Positioning with UniLeg leg supports



Positioning with UniLeg leg supports

arco-matic® 

Leg support systems

Model No. Description



101.0734.0 UniLeg leg supports (pair) with peroneal nerve protection
height-adjustable and spreadable from foot end, with gas spring support, plastic covering with pad for foot and lower leg, adjustable in all positions, with integrated side rail mount.
(requires side rails 101.0463.0 or 101.0464.0)



101.0735.0 UniLeg leg supports (pair)
Same as model 101.0734.0 UniLeg, but **without** peroneal nerve protector.
(requires side rails 101.0463.0 or 101.0464.0)

! Many accessories can be added later; before ordering, please contact our service team about pricing.

arco-matic® CE^{MD}

Accessories

Model No.	Description
	101.0473.0 Leatherette cover (pair) for integrated handles of foot supports, according to colour chart, with zip fastener.
	101.0474.0 Leatherette cover (pair) for integrated handles of Göpel-type leg supports, according to colour chart, with zip fastener.
	101.0472.2 Cushion with magnetic attachment, leatherette cover according to colour chart.
	101.0475.0 Protective covers (pair) of transparent plastic material, for foot supports.

Model No. Description



101.0489.0 Paper roll
500 mm wide, for integrated storage space.



101.0477.0 Protective cover
for seat section.



101.0495.0 Rinsing basin with convenient holder
to maintain horizontal position; basin made of chrome nickel steel with plastic frame 325 × 175 × 65 mm.
2.5 litre volume.

arco-matic® CE^{MD}

Accessories

Model No.	Description
101.0464.0	Side rail (piece) for the seat section, stainless steel 18/10, 25 × 10 mm, 150 mm long.
101.0482.0	2 Power sockets acc. to EN 60601-1. (subsequent fitting not possible)
101.0483.0 (w/o ill.)	2 Power sockets similar to 101.0482.0, but “Swiss type“ socket. (subsequent fitting not possible)
101.0481.0	Socket for potential equalisation
101.0494.0	Colposcope support for Leisegang, Leica, Kaps and Zeiss systems, RHS or LHS fitting. For Kaps and Zeiss systems, please order required mounting tube with attachment from your colposcope supplier. (w/o colposcope)



Model No	Description
----------	-------------


101.0487.0 LED Ambient illumination

LED illumination on both sides above the colour panel, choice of 13 different colours, interchangeable thanks to a switch under the colour panels, tone-in-tone colour shade already adapted to the selected pad colour (white LED for brown, black and grey pads).


101.0488.0 Colour panel
 in line with colour of pads.

101.0469.0 Doctor's foot support
 LH mounting, patient's POV.

101.0468.0 Doctor's foot support
 (w/o ill.) RH mounting, patient's POV.

101.0466.0 Mobility
 2 swivel-type double castors, Ø 75 mm,
 4 fixed-type castors Ø 50 mm, electrically conductive,
 with central lock.

101.0802.0 Mobility
 (w/o ill.) 4 double castors Ø 100 mm, individually lockable
 and electrically conductive.

Note:

The two mobility devices 101.0466.0 and 101.0802.0 must not be used for patient transport!



Horizontal positioning with leg plate

arco-matic® **Accessories**

Model No.	Description
-----------	-------------



101.0471.0	Leg plate integrated into the seat frame, extractable, padded surface of soft-touch plastics (TPE), grey. Safe working load: 50 kg. Dimensions of pad: 480 × 373 × 30 mm (W x L x H).
-------------------	--



101.0465.0	Side rails for back section (pair) stainless steel 18/10, 25 × 10 mm, at the back section, for attaching accessories, 400 mm long.
-------------------	---

Further accessories such as arm rest and infusion pole for mounting on the side rails can be found in our catalogue for OR table accessories, no. 92.



arco und arco-matic® combined with Orbit A clear design concept for gynaecological surgeries

Whether it's the low access height, making it easier for patients to take their seat, the memory function allowing a quick adjustment to the relevant position or the deep gyn. cut-out, which facilitates the examination – both arco and arco-matic® are designed for the special requirements of daily medical practice.

They are perfectly supplemented by Orbit – the modular supply and disposal concept for gynaecological workplaces, which can be adjusted to every set-up. They thus form part of a particularly functional furnishing concept that is available in many attractive colour schemes.

For further information on our Orbit range, please see page 142 ff or our website.





arco

High level of comfort, first-class design

Ergonomic

In combination with the individually adjustable head cushion attached magnetically to the chair, the head section cushions, back cushions, and seat cushions have a special convex shape and offer patients pleasant and comfortable seating. With an access height of only 550 mm, even older or physically challenged patients can easily take a seat on the chair, and even at its lowest level, the seat position remains horizontal.

Strong

Designed for a working load of 250 kg, the chair offers great safety and many treatment options even for adipose patients.

Time-saving

Optimised adjustment speed and up to four freely selectable memory positions (depending on model) allow quick adjustment to the relevant position.

Functional

The deep gyn. cut-out of 155 mm offers improved access to the examination area. Even if the patient is in a position of pelvic elevation, the rinsing basin stays horizontal.





arco**Optimised use, high level of comfort,
first-class design****Hygiene**

Enclosed areas and the absence of corners and edges make for improved hygienic conditions and easy cleaning.

LED illumination

Matched to your treatment room, ambient LED illumination creates a pleasant atmosphere.

Work flexibly and save time

with up to four freely selectable memory positions.





arco C^{MD}

Model overview

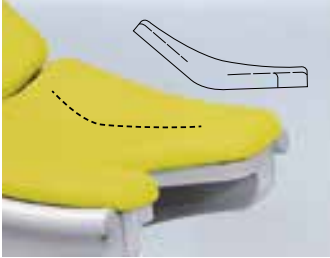
Model No.	Description
114.8500.0	arco 100 Examination and treatment chair electromotive pelvic elevation. Back section attached to seat section at fixed angle (50°), seat height adjustable from 550 mm to 1,000 mm by pelvic elevation. Adjustment functions activated by foot control.
114.8600.0	arco 100 M Examination and treatment chair as 114.8500.0 model, however with additional memory function for two positions. Adjustment and memory functions activated by hand and foot control.
114.8700.0	arco 200 M Examination and treatment chair with memory function for four positions, pelvic elevation and foot supports (accessory) adjustable by electromotor, back section attached to seat section at fixed angle (50°), seat height adjustable from 550 mm to 1000 mm by pelvic elevation. Adjustment and memory functions activated by hand and foot control.



All basic models are without leg positioning system, please choose from 5 options! (page 123 - 125)

Discover our
product and colour
configurator:





Seat profile formed straight for a relaxed and professional examination position.



Chrome nickel steel rinsing basin, in plastic frame, fixed in position with swinging mechanism.



Hand and foot control

- Flexible positioning of the detachable foot control for a stress-free and comfortable working environment
- Saves and retrieves up to 4 memory positions
- Soft startup of the chair movements
- Control of all motion sequences through foot and hand controls



arco

Standard equipment

Ergonomic upholstery on seat, back rest and head rest, SST rinsing basin, in plastic frame, fixed in position with swinging mechanism, detachable, 325 x 175 x 65 mm (W x D x H) 2.5 l volume. Magazine for holding paper roll of 400 or 500 mm width, max. diam. 140 mm, possibility to cover either the back and seat section or only the seat section with paper. With foot control, base plate with 4 levelling screws, silver-grey plastic cladding, frame powder coated according to our colour chart. Upholstery according to colour chart.

Foot support mounts for quick removal or individual swivelling on a horizontal level of foot supports or Göpel-type leg supports with integrated handles (not available for equipment with side rails).

Electrical connection:

Connection cable 3 m with mains plug. 100 - 240 V, 50/60 Hz, max. 0.94 kW. Country-specific versions on request.

Weight:

Net weight: approx. 96 kg (114.8500.0 and 114.8600.0)
 Net weight: approx. 100 kg (114.8700.0)
 Safe working load: 250 kg

Powder coated finish:

High quality powder coating. Gloss finish, extremely knock and scratch resistant. Easy to clean, resistant to disinfectants and environmental conditions. Colours available as per SCHMITZ colour chart at no extra cost.

Upholstery:

Foam material on support plate, with first-class, hard-wearing leatherette coverings. Colours available as per SCHMITZ colour chart at no extra cost (classic and comfort).

When ordering:

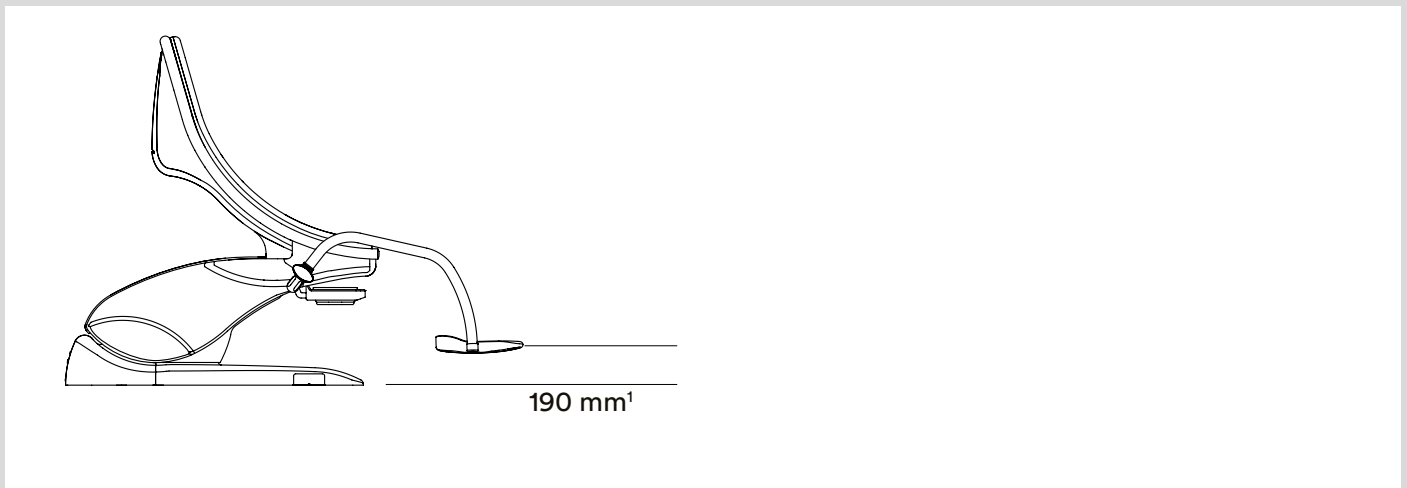
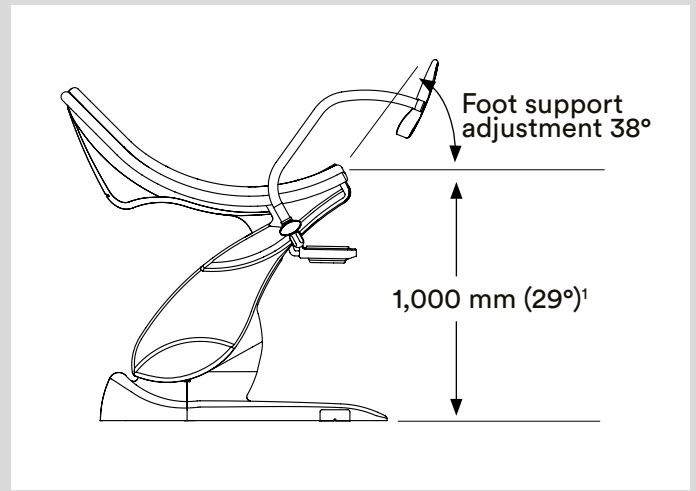
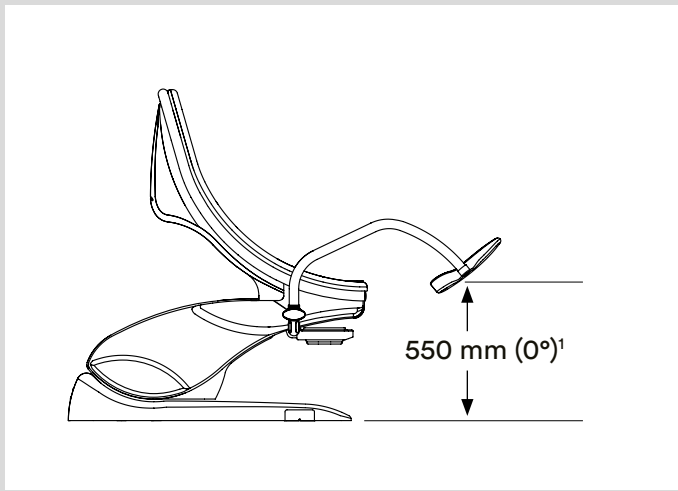
Please state the following when ordering:

Foot/leg support system: see page 123 - 125
 Upholstery colour: see colour chart page 168
 Plastic enamel coating
 for frame: see colour chart page 168

Model No.	Description
-----------	-------------

100.0510.0	Further optional colours acc. to RAL colour chart (w/o ill.)
------------	--

Surcharge



¹ +11 mm in connection with mobility 101.0466.0101.0466.0, +100 mm in connection with mobility 101.0802.0. Design and dimensions are subject to change.

arco

Adjustment functions and dimensions

Dimensions

Base plate	1,135 × 605 mm
Width of upholstery	595 mm (seat section) up to 650 mm (back section)
Thickness	50 mm
Safe working load	250 kg



reddot award 2017
winner



Pelvic elevation
114.8500.0 to 114.8700.0

Electromotive adjustment of foot supports
114.8700.0



arco **Leg support systems**

Model No. Description



101.0456.0 Foot supports (pair)
with integrated handles, powder coated according to colour chart, can be swivelled to the side, lockable. Plastic covers of transparent material as protection for the foot supports.



101.0457.0 Leg supports, Göpel type, with integrated handle (pair)
with integrated handles, powder coated according to colour chart, leg supports with integral foam upholstery in silver-grey, including fastening strap, rod of stainless steel 18/10.



101.0459.0 Göpel leg support (piece)
integral foam upholstery in silver-grey, including fastening strap, rod of stainless steel 18/10, without attachment clamp. (requires side rails 101.0461.0 or 101.0462.0 and 101.1670.0 attachment clamps).



101.1670.0 Attachment clamp (piece)
revolving, stainless steel 18/10, for installation on side rails.

101.0461.0 Side rails (pair)
for the seat section, stainless steel 18/10, 25 x 10 mm, 290 mm long.



Positioning with UniLeg leg supports
(ill. with arco-matic® examination chair)



Positioning with UniLeg leg supports
(ill. with arco-matic® examination chair)

arco 

Leg support systems

Model No.	Description
-----------	-------------



101.0734.0	UniLeg leg supports (pair) with peroneal nerve protection height-adjustable and spreadable from foot end, with gas spring support, plastic covering with pad for foot and lower leg, adjustable in all positions, with integrated side rail mount. (requires side rails 101.0461.0 or 101.0462.0)
-------------------	--



101.0735.0	UniLeg leg supports (pair) Same as model 101.0734.0 UniLeg, but without peroneal nerve protector. (requires side rails 101.0461.0 or 101.0462.0)
-------------------	--

! Many accessories can be added later; before ordering, please contact our service team about pricing.

arco **CE^{MD}**

Accessories

Model No. Description



101.0473.0 Leatherette cover (pair)
for integrated handles of foot supports,
according to colour chart, with zip fastener.



101.0474.0 Leatherette cover (pair)
for integrated handles of Göpel-type leg supports,
according to colour chart, with zip fastener.



101.0472.2 Cushion
with magnetic attachment, leatherette cover
according to colour chart.



101.0475.0 Protective covers (pair)
for foot supports.



101.0476.0 Protective cover
of transparent plastic material, for seat section.

Model No. Description



101.0489.0 Paper roll
500 mm wide,
for storing in the integrated compartment.



101.0495.0 Rinsing basin with convenient holder
to maintain horizontal position; basin made of
chrome nickel steel with plastic frame
325 × 175 × 65 mm (W × L × H), 2.5 litre volume.

arco C^{MD}

Accessories

Model No.	Description
101.0462.0	Side rail (piece) for the seat section, stainless steel 18/10, 25 × 10 mm, 150 mm long.
101.0482.0	2 Power sockets acc. to EN 60601-1. (subsequent fitting not possible)
101.0483.0	2 Power sockets (w/o ill.) similar to 101.0482.0, but “Swiss type” socket. (subsequent fitting not possible)
101.0481.0	Socket for potential equalisation
101.0467.0	Colposcope support for Leisegang, Leica, Kaps and Zeiss systems, RHS or LHS fitting. For Kaps and Zeiss systems, please order required mounting tube with attachment from your colposcope supplier. (w/o colposcope)



Model No. Description



101.0487.0 LED Ambient illumination
LED illumination on both sides above the colour panel, choice of 13 different colours, interchangeable thanks to a switch under the colour panels, tone-in-tone colour shade already adapted to the selected pad colour (white LED for brown, black and grey pads).



101.0488.0 Colour panel
in line with colour of pads.



101.0469.0 Doctor's foot support
LH mounting, patient's POV.

101.0468.0 Doctor's foot support
(w/o ill.) RH mounting, patient's POV.



101.0466.0 Mobility
2 swivel-type double castors, Ø 75 mm,
4 fixed-type castors Ø 50 mm, electrically conductive,
with central lock.



Central lock

101.0802.0 Mobility
(w/o ill.) 4 double castors Ø 100 mm, individually lockable and electrically conductive.

! Note:
The two mobility devices 101.0466.0 and 101.0802.0 must not be used for patient transport!





arco

Examination and Treatment Chair for Proctology

Excellent design,

most modern technology and a strong price–performance ratio

Electromotive foldable seat section

Safe positioning of the patient

with foldable seat section by electrical shutdown

Electromotive adjustment of

Trendelenburg position and seat section

Ergonomic leg and foot support system

with integrated armrests for a relaxed and professional examination position

Variable fit-out options

with an extensive assortment of accessories

Easy to keep clean and hygienic

due to smooth, closed surfaces

Illuminated graphics display

to indicate all chair functions

Electronic diagnostics function

1 additional programmable key e.g. for triggering of a cold light source with integrated sockets Storage and display of 8 memory positions (treatment positions/physician's selection)

Soft start-up of chair adjusting movements

Control of all adjustments

by foot or hand control



arco**Examination and Treatment Chair for Proctology****Technology and efficiency**

A lower starting height, perfect for getting on easily. Predefined and saved treatment positions allow for quick, efficient handling.

Examination comfort and safety

The folding seat section enables optimal access to the patient and allows the doctor to set the required treatment position. The electric automatic switch-off feature during positioning supports safe patient positioning.

Large adjustable range

via electromotive pelvic elevation to shock position

Choice of leg support systems

- with foot rests 101.4560.1.
- with Göpel-type leg supports 101.4580.0.
- with Ergo-Steps 101.4570.0



arco proctology C^{MD}

Model overview

Model No.	Description
114.6600.1	Examination and Treatment Chair Electromotive Trendelenburg position and foldable seat section. Memory control for 8 positionings. Activation of all functions by means of foot and hand control.

All basic models are without leg positioning system, please choose from 3 options! (page 140).

Discover the arco
for proctology:





arco proctology

Standard equipment

Ergonomic upholstery on seat, back rest and head. Foot support mounts for quick removal or individual swivelling on a horizontal level of foot supports or Göpel-type leg supports with integrated handles. Storage plate with integrated pull-out, rinsing basin of SST 18/10, storing space for paper roll up to 400 mm width, two integrated power sockets, acc. to EN 60601-1, (activation of one socket by manual control unit). Foot control, base plate with 4 levelling screws, plastic cladding, silver-grey, column and frame powder coated according to SCHMITZ colour chart. Upholstery according to SCHMITZ colour chart.

Important:

Automatic security stop with foldable seat section in Trendelenburg position.

Electrical connection:

3 m connection cable with mains plug.

Connection: 230 V, 50 Hz, 0.3 kW.

Country specific versions available upon request.

Weight:

Net weight: approx. 121 kg

Safe working load: 180 kg

Powder coated finish:

High quality multilayer gloss paint of extreme knock and scratch resistance.

Easy to clean and to disinfect. Resistant to climatic conditions. Available in SCHMITZ colours acc. to colour chart (without surcharge).

Further optional colours acc. to RAL colour chart at extra charge.

Upholstery:

High quality, hard wearing foam rubber with leatherette cover.

Available in SCHMITZ colours acc. to colour chart without surcharge (classic and comfort qualities).

When ordering:

Please state the following when ordering:

Foot/leg support system: see page 140

Upholstery colour: see colour chart page 168

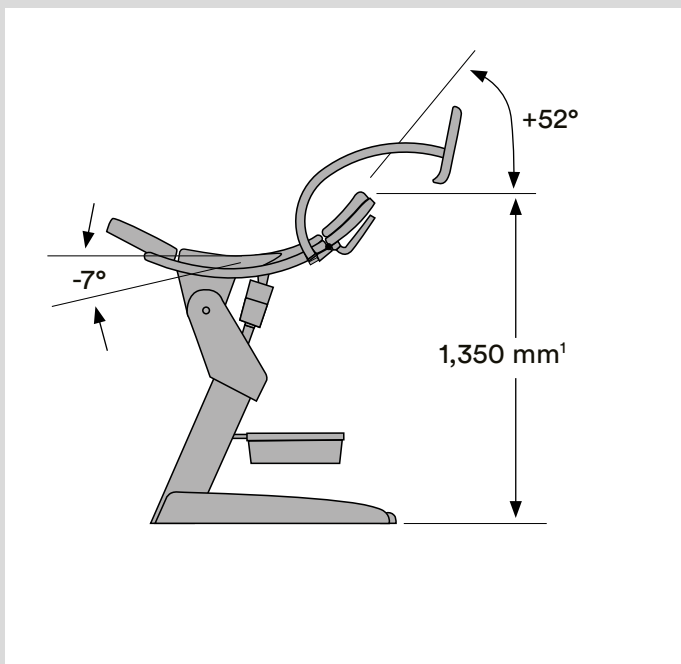
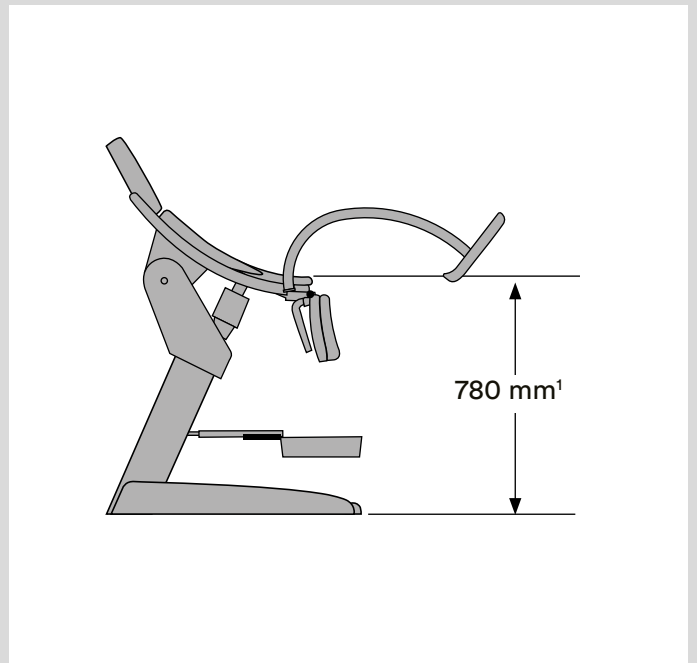
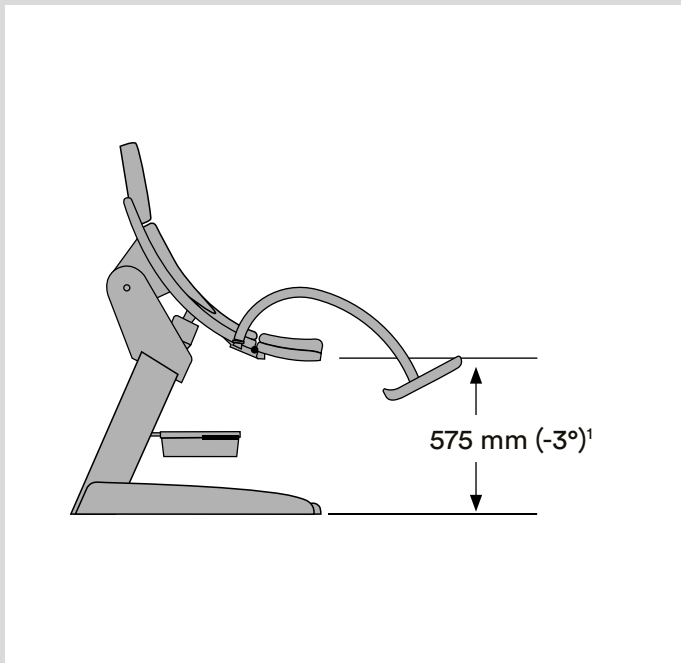
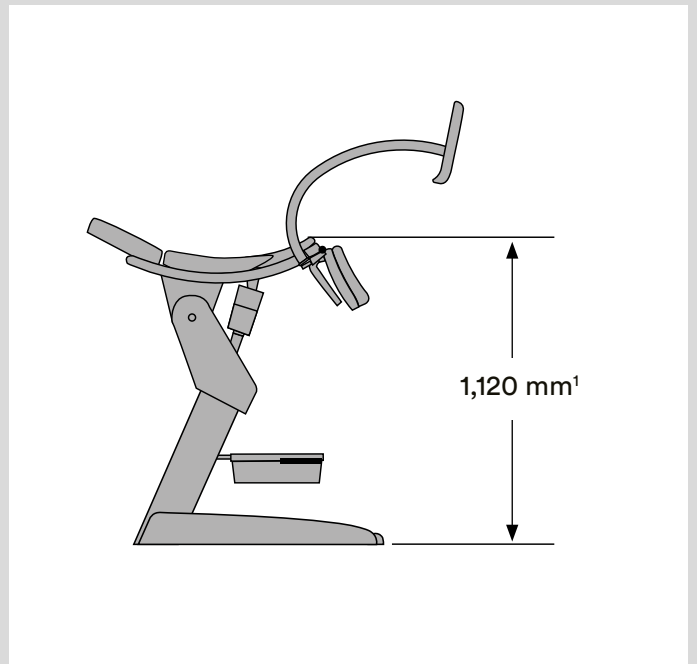
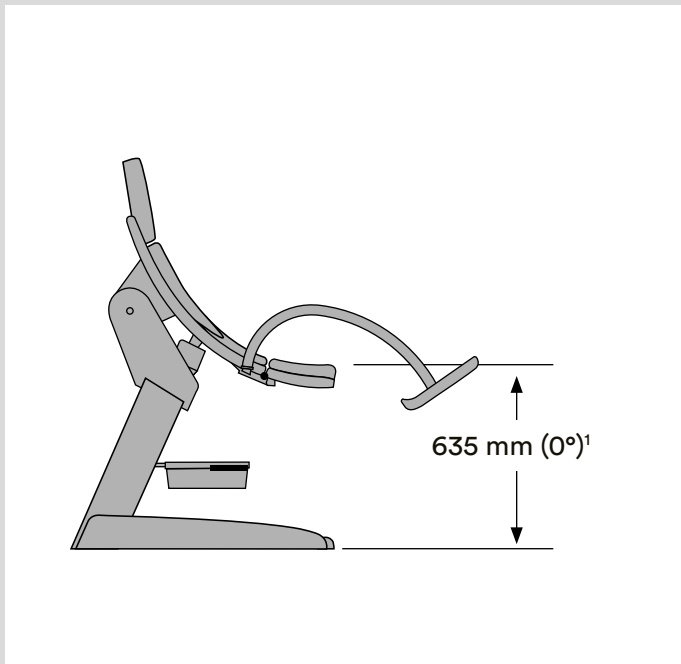
Plastic enamel coating

for frame: see colour chart page 168

Model No.	Description
-----------	-------------

100.0510.0	Further optional colours acc. to RAL colour chart (w/o ill.)
------------	--

Surcharge



Design and dimensions are subject to change.

¹ in connection with mobility 101.0223.0 please add 75 mm.

arco proctology

Adjustment functions and dimensions

Dimensions

Base plate	960 × 565 mm
Upholstery width	565 mm (seat section) up to 695 mm (back section)

arco proctology C^{MD}

Leg support systems

Model No. Description



101.4560.1 Foot support (pair)
with integrated, powder coated handlebars, can be swivelled and locked. With one pair of plastic covers.



101.4580.0 Göpel leg support (pair)
with integrated, powder coated handlebars, integral foam pads in silver-grey, with straps, stainless steel rod 18/10.



101.4570.0 Ergo-Steps (pair)
Leg support system with adjustable heel/calf troughs, grey plastic, can be swivelled to the side, integrated handles, circular tube powder-coated to match the exam. chair.



101.4850.0 Leatherette covers (pair)
for handles (101.4560.1 and 101.4570.0) with zipper, acc. to colour chart.



101.4860.0 Leatherette covers (pair)
for handles (101.4580.0), with zipper, acc. to colour chart.

! Many accessories can be added later; before ordering, please contact our service team about pricing.



Model No. Description

101.0223.0 Mobility
4 double castors, Ø 75 mm,
lockable and electrically conductive.

Note:
may not be used for patient transport!



101.3730.0 Head cushion
incl. Velcro, leatherette cover acc. to colour chart.



101.4800.1 Plastic covers (pair)
of transparent material, to protect the foot supports.



100.1760.0 Paper roll
400 mm wide, for placing into the integrated
storing space with removable back upholstery.



Orbit

The modular Supply and Disposal System for Gynaecology and Proctology workplaces

Patient comfort comes first

Preheated instruments guarantee a high level of patient comfort. The preheating technology developed by SCHMITZ enables custom temperature adjustment.

Mobility and flexibility

9 individual, mobile modules, which can be arranged and rearranged just as you need them. Additions and changes to the module configuration can be made whenever needed. The modules can easily be integrated even into an existing setup.





Orbit

Orbit helps you keep everything under control.

Easy cleaning and disinfection

Removable panels and closed surfaces enable rapid, complete and straightforward cleaning – a new standard in hygiene.

Mobility and flexibility

100 % unrestricted mobility is guaranteed – adapted to your daily workflows.

Orbit solves your disposal problem

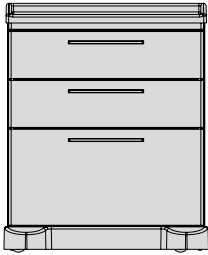
A specially equipped module ensures hassle-free disposal of contaminated instruments and used materials.



Orbit

Dispensing and disposal modules, mobile

Model No. Description

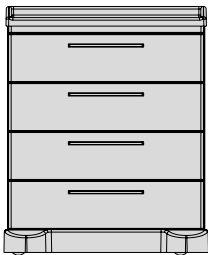


426.0010.0 Dispensing module

dimensions: 625 × 760 × 530 mm (W x H x D)

2 drawers Type 6 D, 1 drawer Type 6 G.

A preheating element model no. 401.0401.1 (accessory)
can be installed in the two drawers Type 6 D.

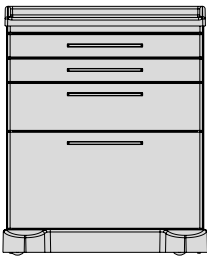


426.0020.0 Dispensing module

dimensions: 625 × 760 × 530 mm (W x H x D)

4 drawers Type 6 D.

A preheating element model no. 401.0401.1 (accessory)
can be installed in the top two drawers Type 6 D.



Model No. Description

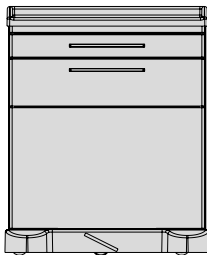
426.0030.0 Dispensing module

dimensions: 625 × 760 × 530 mm (W x H x D)

2 drawers Type 6 B, 1 drawer Type 6 D,

1 drawer Type 6 G.

A preheating element model no. 401.0401.1 (accessory)
can be installed in the drawer Type 6 D.



426.0040.0 Dispensing and disposal module

dimensions: 625 × 760 × 530 mm (W x H x D)

1 drawer Type 6 B, 1 drawer Type 6 D, 1 refuse drawer,

electromotive opening by tapping on the panel,

mechanic closing, with removable SST container,

12 l cap., (for 5 litres of liquid), plastic basket,

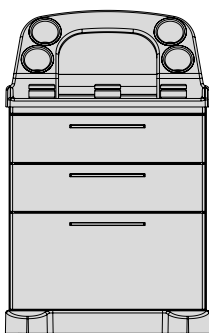
to accommodate approx. 15 specula and plastic refuse
container, 8 l cap., pedal for central locking of castors.

A preheating element model no. 401.0401.1 (accessory)
can be installed in the drawer Type 6 D.

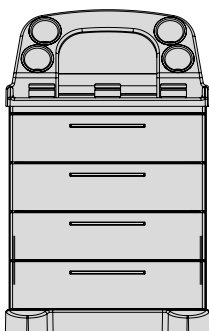
Orbit

Dispensing and disposal modules, mobile

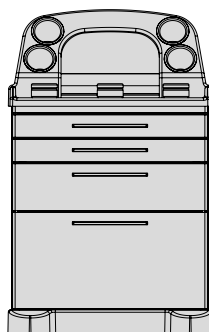
Model No. Description



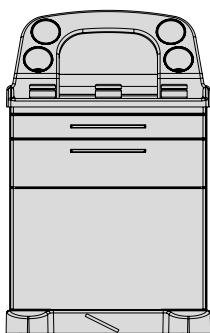
426.5010.0 Dispensing module
 dimensions: 625 × 995 × 530 mm (W x H x D)
 with moulded top made of ABS, silver-grey colour,
 with treatment set accommodating instruments,
 medicines, disposables etc., 2 drawers Type 6 D,
 1 drawer Type 6 G.
 A preheating element model no. 401.0401.1 (accessory)
 can be installed in the two drawers Type 6 D.



426.5020.0 Dispensing module
 dimensions: 625 × 995 × 530 mm (W x H x D)
 with moulded top made of ABS, silver-grey colour,
 with treatment set accommodating instruments,
 medicines, disposables etc., 4 drawers Type 6 D.
 A preheating element model no. 401.0401.1 (accessory)
 can be installed in the top two drawers Type 6 D.

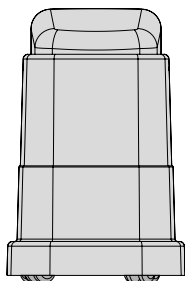


426.5030.0 Dispensing module
 dimensions: 625 × 995 × 530 mm (W x H x D)
 with moulded top made of ABS, silver-grey colour,
 with treatment set accommodating instruments,
 medicines, disposables etc., 2 drawers Type 6 B,
 1 drawer Type 6 D, 1 drawer Type 6 G.
 A preheating element model no. 401.0401.1 (accessory)
 can be installed in the drawer Type 6 D.



Model No. Description

426.5040.0 Dispensing and disposal module
 dimensions: 625 × 995 × 530 mm (W x H x D)
 with moulded top made of ABS, silver-grey colour,
 with treatment set accommodating instruments,
 medicines, disposables etc., 1 drawer Type 6 B,
 1 drawer Type 6 D, 1 refuse drawer, electromotive
 opening by tapping on the panel, mechanic closing,
 with removable SST container, 12 l cap., (for 5 litres
 of liquid), plastic basket to accommodate approx.
 15 specula and plastic refuse container, 8 l cap., pedal
 for central locking of castors.
 A preheating element model no. 401.0401.1 (accessory)
 can be installed in the drawer Type 6 D.



427.0010.0 Disposal module
 dimensions: 365 × 565 × 465 (W x H x D)
 Mobile, 4 pc. twin plastic castors diam. 50 mm,
 sensor lid made of plastic, colour black,
 casing made of ABS, silver-grey colour,
 removable plastic refuse container, 20 l cap.

401.0801.0 Special colour for cabinet body
 according to SCHMITZ colour chart, surcharge



Orbit

Accessories for dispensing and disposal modules

Model No. Description



401.0401.1 Preheating element
according to Low Voltage Directive 2014/35/EU for drawer Type 6 D. Setting and monitoring of temperature via display, adjustable up to max. 40 °C /104 °F, for instruments (e.g. specula). With time display and timer that allows setting when the preheater should automatically switch on and off. Input supply voltage 100 - 240 V, 50/60 Hz, average power consumption 20 Watt, cable with mains plug, approx. 5 m long.

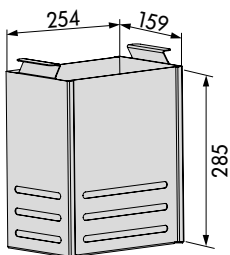


401.0023.0 Holder for ultrasound gel
made of SST, 320 × 165 mm (L x W).
For warming the ultrasound gel fluid in the drawer with preheating element, suitable for up to 4 bottles of gel.

401.0450.0 Lid
(w/o ill.) 325 × 265 mm, SST, to cover the 12 l SST container, 12 l cap., during transport.

401.0451.0 Lid
(w/o ill.) 297 × 204 mm, made of plastic, to cover the plastic refuse container, 18 or 20 l cap., during transport.

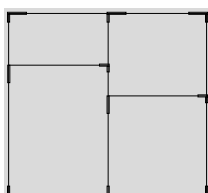
401.0460.0 Basket
SST with carrying handles, for 5 litres of liquid, to accommodate approx. 15 specula, for disposal module 427.0010.0.



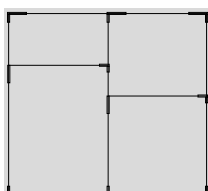
Orbit

Accessories for dispensing and disposal modules

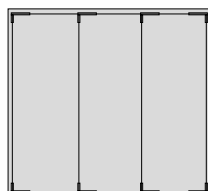
Model No. Description



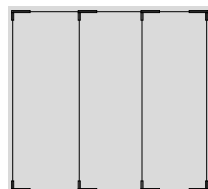
400.0505.0 Drawer organizer
 503 × 381 × 55 mm (W x D x H),
 two rows, for drawer Type 6 D, disassembled, anodized aluminium frame, comprising: 1 pc. longitudinal divider made of SAN and 2 pc. lateral dividers made of SAN.
 (does not fit into a drawer with integrated preheating 401.0401.1!)



400.0506.0 Drawer organizer
 498 × 376 × 35 mm (W x D x H),
 two rows, for drawer Type 6 B, disassembled, anodized aluminium frame, comprising: 1 pc. longitudinal divider made of SAN and 2 pc. lateral dividers made of SAN.



400.0507.0 Drawer organizer
 498 × 376 × 55 mm (W x D x H),
 three rows, for drawer Type 6 D, disassembled, anodized aluminium frame, comprising: 2 pc. longitudinal dividers made of SAN.
 (does not fit into a drawer with integrated preheating 401.0401.1!)



400.0508.0 Drawer organizer
 498 × 376 × 35 mm (W x D x H),
 three rows, for drawer Type 6 B, disassembled, anodized aluminium frame, comprising: 2 pc. longitudinal dividers made of SAN.



Model No. Description

401.0001.0 Side rail
aluminium, 25 × 10 mm, with fastening pieces,
safe working load up to 20 kg.
Effective width: 300 mm



401.0002.0 Swivel-mounted tray, square
230 × 190 × 40 mm (W × D × H)
18/10 SST 18/10 with holder and plastic rail clamp.
Effective width: 220 mm.



401.0003.0 Swivel-mounted tray, round
Ø 220 × 40 mm (diam. × H)
18/10 SST 18/10 with holder and plastic rail clamp.
Effective width: 220 mm.



401.0004.0 Tray
355 × 320 × 65 mm (W × D × H)
SST 18/10, with steel holder,
plastic-coated white aluminium RAL 9006/SST 18/10.
Effective width: 380 mm.



401.0005.0 Holder
290 × 215 × 25 mm (W × D × H)
of steel, powder-coated white aluminium (RAL 9006),
plastic rail clamp, for plastic trays 401.0006.0 and
401.0007.0.
Effective width: 300 mm.

401.0006.0 Plastic tray
225 × 300 × 130 mm (W × D × H)
of polypropylene, with closed lid.

401.0007.0 Plastic tray
(w/o ill.) 225 × 300 × 130 mm (W × D × H)
of polypropylene, with opening in lid.

Orbit

Accessories for dispensing and disposal modules

Model No. Description



401.0008.0 12 l bucket
Ø 310 × 270 mm (diam. x H)
SST 18/10 bowl with steel holder, powder-coated white aluminium (RAL 9006), with plastic rail clamp.
Effective width: 330 mm.

401.0009.0 Lid
made of 18/10 SST 18/10, for 12 l bucket.



401.0010.0 5 l bowl
Ø 330 × 140 mm (diam. x H)
SST 18/10 bucket with steel holder, powder-coated white aluminium (RAL 9006), with plastic rail clamp.
Effective width: 330 mm.

Model No.	Description
-----------	-------------



401.0011.0	Waste bag holder
-------------------	-------------------------

	265 × 205 × 425 mm (W x D x H)
--	--------------------------------

	wire Rilsan coated, with plastic lid for 15 l waste bags, steel holder, powder coated white aluminium RAL 9006, plastic rail clamp, incl. 1 roll of waste bags 401.0013.0. Effective width: 300 mm.
--	---



401.0012.0	Waste bag holder
-------------------	-------------------------

	280 × 110 × 410 mm (W x D x H)
--	--------------------------------

	powder-coated white aluminium (RAL 9006) sheet steel, with 2 plastic rail clamps, for 15 l waste bags, incl. 1 roll of waste bags 401.0013.0. Effective width: 300 mm.
--	--

401.0013.0	Roll of spare bags
-------------------	---------------------------

(w/o ill.)	15 litre, in rolls, 48 pcs, for 401.0011.0 and 401.0012.0
------------	---



401.0014.0	Refuse container
-------------------	-------------------------

	420 × 175 × 410 mm (W x D x H)
--	--------------------------------

	powder-coated white aluminium RAL 9006 sheet steel, volume 18 litres, with 2 plastic rail clamps. Protruding lid can be opened by knee. Effective width: 420 mm.
--	--

Orbit

Accessories for dispensing and disposal modules

Model No. Description



401.0015.0 Disinfectant dispenser
Height adjustable, for mounting of 500 ml container, with fastening plate made of powder-coated white aluminium RAL 9006 steel plate, main tube 500 mm in length and plastic rail clamp.
Effective width: 100 mm.

401.0016.0 Disinfectant dispenser
Height adjustable, for mounting of 1,000 ml container, with fastening plate made of powder-coated white aluminium RAL 9006 steel plate, main tube 500 mm in length and plastic rail clamp.
Effective width: 100 mm.



401.0017.0 Disinfectant dispenser
For mounting of 500 ml container, with fastening plate made of powder-coated white aluminium RAL 9006 steel plate and plastic rail clamp.
Effective width: 100 mm.

401.0018.0 Disinfectant dispenser
For mounting of 1,000 ml container, with fastening plate made of powder-coated white aluminium RAL 9006 steel plate and plastic rail clamp.
Effective width: 100 mm.

Model No. Description



401.0019.0 Drip-catcher
Made of SST 18/10,
for 500 ml disinfection dispenser.

401.0020.0 Drip-catcher
Made of SST 18/10,
for 1,000 ml disinfection dispenser.



401.0021.0 Holder for gloves dispenser
100 × 150 to 280 × 35 mm (W x D x H)
adjustable, for all common disposable glove cartons,
made of steel powder-coated white aluminium
(RAL 9006), with plastic rail clamp.
Effective width: 100 to approx. 165 mm
depending on the carton size.



401.0024.0 Storage shelf
400 × 500 × 25 mm (W x D x H)
made of plastic, silver grey, fold-down,
safe working load: 20 kg.
Only for Orbit modules!



Orbit

Model and material description



Cabinet bodies

self-supporting construction made of electrolytically galvanized and phosphatized sheet steel, sandwich construction, double-skinned execution, single-skinned rear panel, sound damped and thermally insulated high rigidity, smooth inner and outer surfaces.



Drawer fronts

Exchangeable front panels made of electrolytically galvanized and phosphatized sheet steel, with rounded edges, sound damped and thermally insulated, circumferential silicone sealing profile.



Drawers

drawers completely made of electrolytically galvanized and phosphatized sheet steel, powder-coated in white aluminium RAL 9006. Covered, sound-damped drawer rails with full pull-out, automatic pull-in function and Airmatic shock absorber system, high retention force, tool-free drawer removal. Safe working load: 20 kg.

Interior drawer dimensions (Usable size W x H x D)

Type 6 B: 504 x 51 x 381 mm

Type 6 D: 504 x 126 x 381 mm

Type 6 G: 504 x 276 x 381 mm

Orbit

Model and material description



Drawer handles

semicircular or angular handle, made of high-pressure diecast zinc, hole spacing 192 mm. The surface is resistant to chemicals, easy to clean and to disinfect. Drawer handles matte chromium-plated or with a polyester powder coating according to the drawer front or individually according to SCHMITZ colour chart.



Castors

Modules with 4 double castors Ø 50 mm, el. conductive. Chassis cover made of ABS, silver-grey colour.



Worktop

Seamless worktop made of ABS, silver-grey colour, scratch resistant and disinfectant proof, profile edge on three sides, sealed reverse side.





Electromotive opening by tapping on the panel.

Mechanic closing, with removable 12 l SST container (for 5 l of liquid) and plastic sieve.



Built-in heating plate for preheating of specula.

Temperature setting and monitoring via display, adjustable up to max. 40 °C / 104 °F.



Disposal module 427.0010.0

Electromotive opening through sensor technology. Removable top, removable 20 l plastic container.

Powder coated finish

A high quality polyester powder coating, a high gloss surface, extreme shock and scratch resistance, easy to clean, disinfectant-proof and climate resistant.

Standard colours of cabinet body

grey-white RAL 9002 or white aluminium RAL 9006 or grey aluminium RAL 9007.

Special colours for cabinet body

according to SCHMITZ colour chart on page 168 at a surcharge.

For drawer fronts and handles

all colours according to SCHMITZ colour chart on page 168 are available without surcharge. Further RAL colours are available upon request.









Illustrated colours:

arco:

Upholstery agave green 109

Plastic enamel coating

white aluminium RAL 9006

Plastic elements silver grey

Examination seat:

Upholstery agave green 109

Orbit:

Cabinet bodies

white aluminium RAL 9006

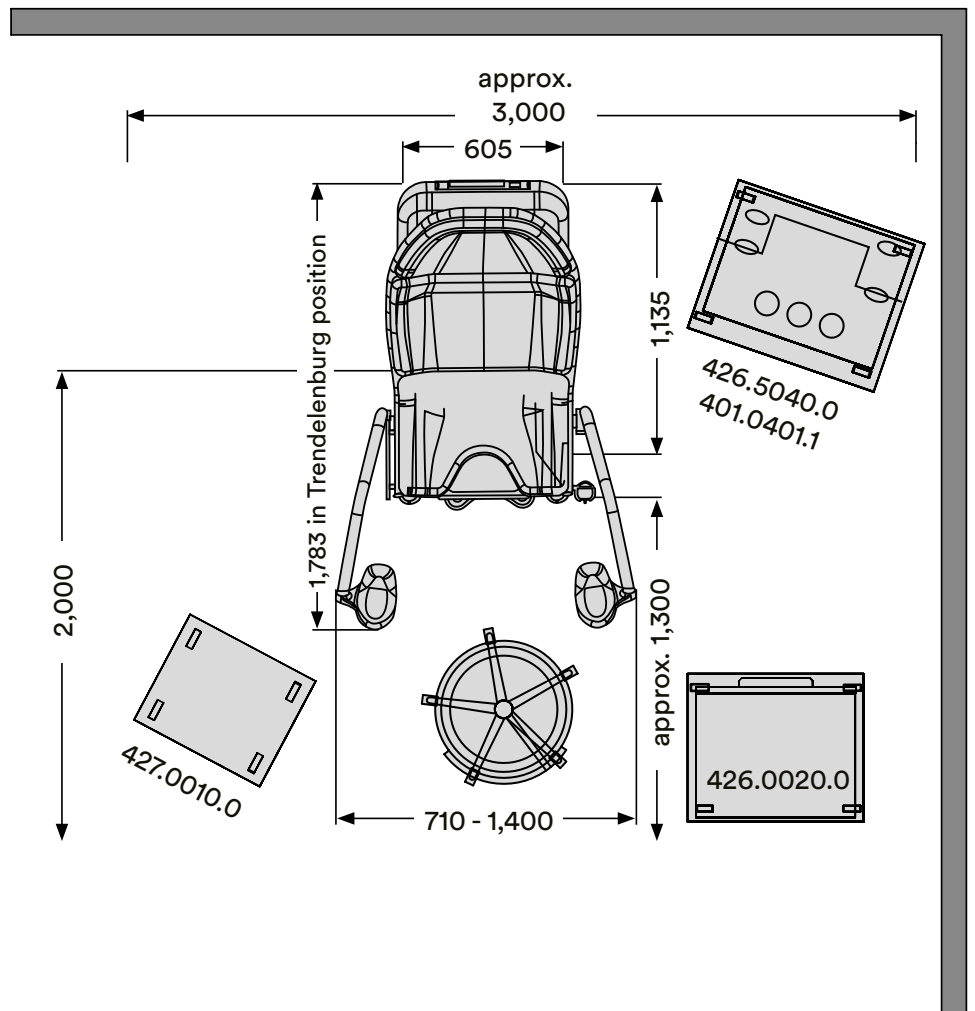
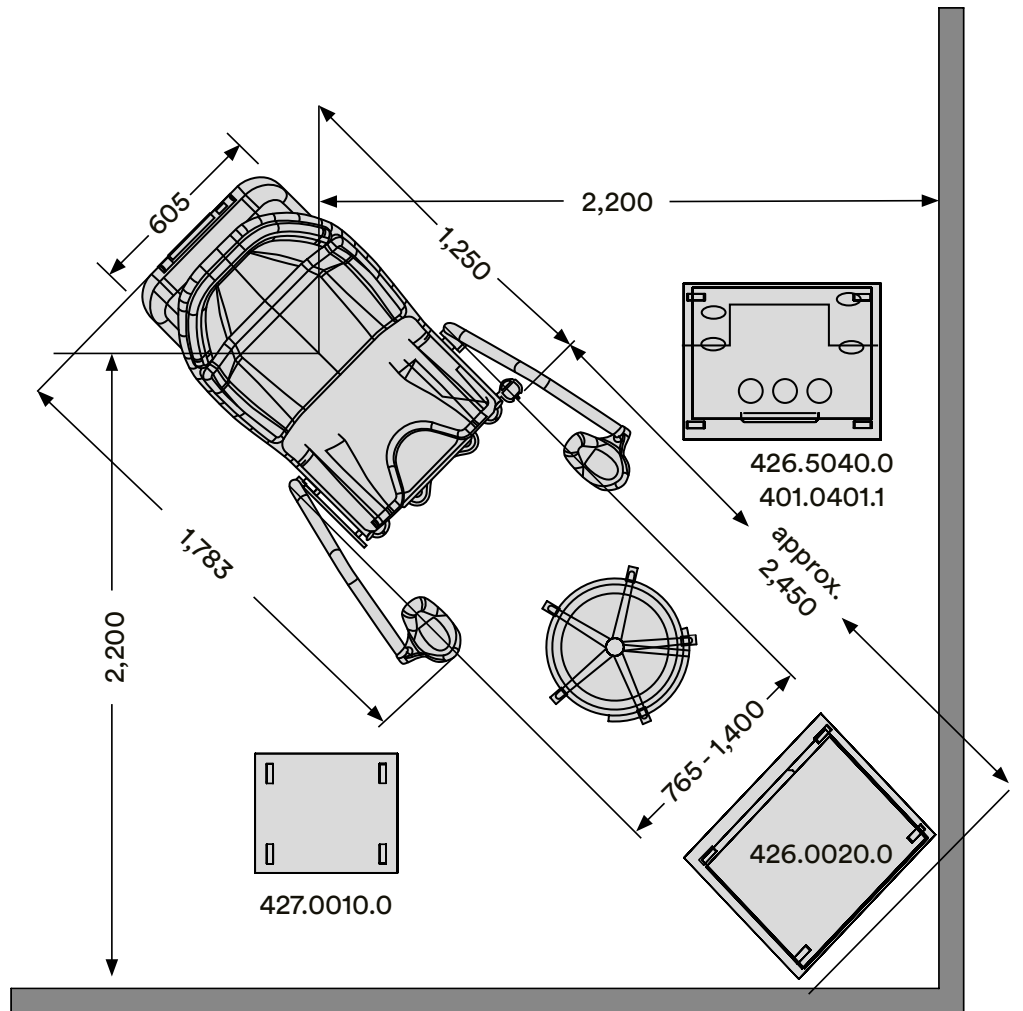
Front panels

ice-cold green RAL 1209030

Handles semicircular

lemon green RAL 1008060

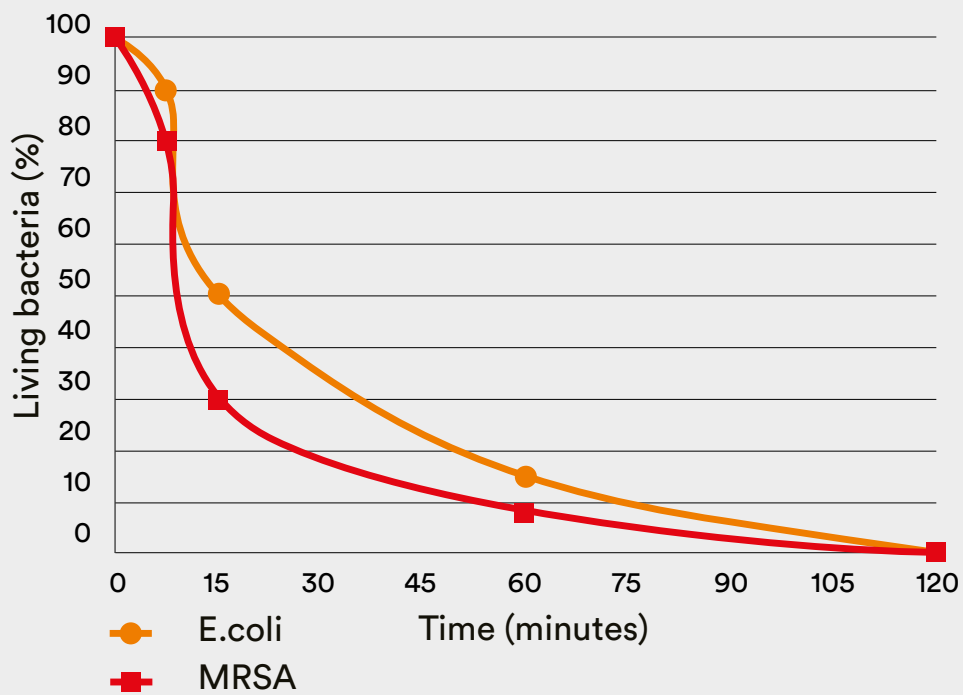
Plastic elements silver grey



Orbit design examples

For chairs with earth connection, the cabling must be within the range (1,135 × 605 mm) of the floor space required. The gynaecology chair can be placed and moved within this area.

Percentage of reduction of MRSA and E.coli on a protected surface (ISO 22196:2011)



Microbes have a very long stability on untreated surfaces:

Microbe	Durability
MRSA	up to 7 months
Salmonella	14 days
Aspergillus niger	spores survive for years
E.coli	up to 16 months

Colour finishes with antimicrobial coating

The antimicrobial coating ensures effective and long-lasting reduction of bacteria, mould and fungi colonisation.

Because of the antimicrobial coating, certain germs are reduced to up to 80% after 15 min and up to 99% within the first two hours.

It inhibits growth of a wide spectrum of microorganisms:

- MRSA
- E.coli
- Salmonella
- Legionella
- Aspergillus Niger

The anti-microbial coating has been tested to ISO 22196:2011 to substantiate the reduction of microbes. Only coatings with a minimum reduction of 95 per cent are approved.

For further information please visit www.biocote.com.

! **Note:**

Please be aware that even with an antimicrobial coating, the device still must be cleaned and disinfected properly at all times!

Leatherette comfort

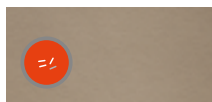
gold yellow 86



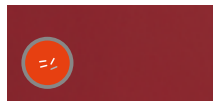
agave green 109



gold orange 106



milky coffee 102



red carmine 92



sand beige 101



raspberry red 103



stone grey 96



ice blue 108



shale grey 97



caribbean blue 82



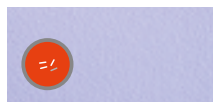
titan grey 91



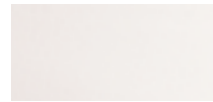
atlantic blue 83



blossom white 84



lavender purple 107

Leatherette Powder coated finishes classic

white 53



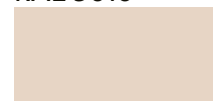
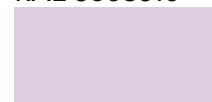
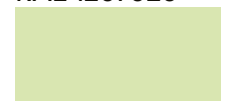
silver grey 55



ocean 52



black 57

grey white
RAL 9002pure white
RAL 9010water lily white
RAL 0758510light saffron orange
RAL 0608530signal yellow
RAL 1003vermilion
RAL 2002lotus pink
RAL 3608510tricot lilac white
RAL 3108510tennis blue
RAL 2307020light blue
RAL 2606030sapphire blue
RAL 5003pallid blue
RAL 2308010lemon green
RAL 1008060filigree green
RAL 1207020ice-cold green
RAL 1209030white aluminium
RAL 9006grey aluminium
RAL 9007anthracite grey
RAL 7016**Plastic elements**

silver-grey

Bar handles also
available matt
chrome plated

antimicrobial

These colours have antimicrobial properties

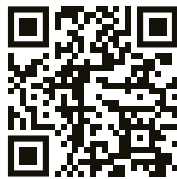
Colours for upholsteries and plastic enamel coatings

Discover new, colourful worlds

With a total of 19 upholstery colours and 18 colours for powder-coated finish, you have many options to create colourful highlights in your surgery.

Whether muted or cheerful, classic or modern, elegant or extravagant – with our tool, you will certainly find the right colour for you in no time at all.

We would be delighted to advise you – please feel free to contact us.



Be inspired:
www.schmitz-soehne.com

Accessories for upholstery cleaning

We recommend:

Model No.	Description
2019878 (w/o ill.)	Special cleaner for leatherette 500 ml spray bottle (packaging unit 3 bottles)
2026973 (w/o ill.)	Cleaning set for leatherette 1 × 500 ml spray bottle and a brush

Please refer to our separate operating manual for upholsteries for detailed information on cleaning and disinfection of upholsteries.



Contact

SCHMITZ u. Söhne
GmbH & Co. KG
Zum Ostefeld 29
58739 Wickede (Ruhr)

P. O. Box 14 61
58734 Wickede (Ruhr)
Germany

T +49 (0)2377 84 0
F +49 (0)2377 84 162
zentrale@schmitz-soehne.de

Exports department:
T +49 (0)2377 84 0
F +49 (0)2377 84 135
export@schmitz-soehne.de

Technical service, hotline:
T +49 (0)2377 84 549
F +49 (0)2377 84 210
service@schmitz-soehne.de

Information on
our establishments
worldwide can be found
on our website:

www.schmitz-soehne.com



All devices marked with the CE-MD symbol, in combination with our accessories, meet the requirements of Medical Device Regulation 2017/745/EU (MDR) as well as the Medical Device Amendment Act and are risk class I medical devices.



All devices marked with the simple CE symbol meet the requirements of low-voltage directive 2014/35/EU as well as the regulation on electrical equipment.

Please also refer to the instructions for use, for more details about the intended use!



* This product is an article of merchandise, sold under OEM brand name.

Our goods and services are to be understood ex works. Deliveries are effected via our authorized partners or branch offices. The company reserves the right to alter the design, construction, dimensions and finish of its products without notice. All relevant dimensions and weights are to be understood as approximate information/data. Due to technical reasons colour deviations are possible. The articles shown in this catalogue are not authorized for sale in the United States.

Nominal charge 3.00 Euro.